

30
60

Simons  Voss

SmartHandle 3062

Manual

05.07.2024

Simons  Voss
technologies

Contents

1.	General safety instructions	7
2.	Product specific safety notices	10
3.	Meaning of the text formatting	13
4.	Intended use	14
5.	General information	15
6.	Designs	17
6.1	Prerequisites	18
6.2	Mechanical Override (MO)	22
6.3	Profiles	22
6.4	Fastening	23
6.4.1	RRMO	24
6.4.2	RMO	25
6.5	Distances and door thicknesses	26
6.5.1	Profile cylinder (PC)	27
6.5.2	Swiss round (SR)	29
6.5.3	Scandinavian oval (SO)	30
6.6	ESI/SKG/PAS24	31
6.7	SmartHandle without electronics	31
6.8	Spindle	32
6.9	Backplate width/wide	33
6.10	Network (WaveNet)	33
6.11	DoorMonitoring (DM)	34
6.12	Handle variants	35
6.13	Surface finishes	36
6.14	Reader technology	36
6.15	Options	36
6.15.1	G1 Version	36
6.15.2	G2 Version	36
6.15.3	ZK version (access control)	37
6.15.4	WP Version (weatherproof)	37
6.15.5	DP version (drill protection)	37
6.15.6	Escape&Return function	37
7.	Storage	39
8.	Installation (manual)	40
8.1	Snap-in	40

8.1.1	Contents of packaging	40
8.1.2	Tools required	40
8.1.3	Installation instructions SnapIn	40
8.1.4	Snap-in.....	41
8.1.5	Snap-in WP.....	44
8.1.6	Snap-in diagrams	46
8.1.7	Restore storage mode for Snap-in.....	47
8.2	Snap-in DoorMonitoring.....	48
8.2.1	Contents of packaging	48
8.2.2	Tools required	48
8.2.3	Installation instructions SnapIn	48
8.2.4	Assembly Snap-In Door Monitoring.....	49
8.3	Conventional fastening	56
8.3.1	Contents of packaging	56
8.3.2	Tools required	56
8.3.3	Installation instructions.....	56
8.3.4	Conventional fastening system	57
8.3.5	Conventional fastening system WP	60
8.3.6	Diagrams for conventional fastening system	63
8.3.7	Restore storage mode for conventional fastening system.....	63
8.4	Conventional fastening system WO	64
8.4.1	Contents of packaging	64
8.4.2	Tools required	64
8.4.3	Installation instructions MO.....	64
8.4.4	Conventional fastening system WO.....	66
8.4.5	Conventional fastening system MO WP.....	69
8.4.6	Diagrams for conventional fastening system	72
8.4.7	Restore storage mode for conventional fastening system MO	73
8.5	Conventional fastening ES1/SKG/PAS24	73
8.5.1	Contents of packaging	73
8.5.2	Tools required	74
8.5.3	Installation instructions.....	74
8.5.4	Assembly ES1-/SKG-/PAS24 SmartHandle	75
8.6	Conventional fastening system for DoorMonitoring	80
8.6.1	Contents of packaging	80
8.6.2	Tools required	81
8.6.3	Installation instructions.....	81
8.6.4	Installation conventional fastening door monitoring	82
8.6.5	Disassembling DoorMonitoring components.....	89
8.7	Additional info: DoorMonitoring sensor lock	90
8.7.1	Sensor lock components	90
8.7.2	Installation (manual)	90
8.8	Swiss Round MO.....	92

8.8.1	Contents of packaging	92
8.8.2	Tools required	92
8.8.3	Installation instructions MO	92
8.8.4	Conventional fastening system, including Swiss Round MO:	93
8.8.5	Conventional fastening system, including Swiss Round MO WP	96
8.8.6	Diagrams for conventional fastening system	99
8.8.7	Restore storage mode for SwissRound MO	100
8.9	Scandinavian Oval	100
8.9.1	Contents of packaging	100
8.9.2	Tools required	101
8.9.3	Installation instructions	101
8.9.4	Conventional fastening system Scandinavian Oval	102
8.9.5	Conventional fastening system for Scandinavian Oval DP	106
8.9.6	Conventional fastening system for Scandinavian Oval MO	109
8.9.7	Diagrams for Scandinavian Oval	110
8.9.8	Restore storage mode for ScandinavianOval	110
8.10	SmartHandle Hybrid	111
8.11	Steel frame with/without MO (RRMO)	111
8.11.1	Contents of packaging	111
8.11.2	Tools required	112
8.11.3	Installation instructions MO	112
8.11.4	Installation	113
8.12	Escutcheon fixing with/without MO (RMO)	124
8.12.1	Contents of packaging	124
8.12.2	Tools required	125
8.12.3	Installation instructions MO	125
8.12.4	Installation	126
8.13	LockNode (LNI)	146
8.13.1	Important	146
8.13.2	Installation	146
9.	Programming	149
9.1	SmartHandle G1	149
9.2	SmartHandle G2	149
9.3	SmartHandle MP	150
10.	Configuration	151
10.1	Impulse length (G2)	151
10.2	Access control	151
10.3	Time zone control	152
10.4	Logging unauthorised attempted access events	152
10.5	Flip flop	152

10.6	No audible battery warnings.....	153
10.7	Time switch-over function.....	153
10.8	Permit exception in time zone management (G2).....	154
10.9	No audible programming feedback signals	155
10.10	Card interface (G2)	155
10.11	Overlay mode (G1).....	155
10.12	Long release.....	155
10.13	Omron (G1).....	155
10.14	Storage mode (G1)	156
10.15	Freeze mode (G2)	156
10.16	DoorMonitoring function.....	156
10.16.1	Locking device properties: Configuration/Data: DoorMonitoring SmartHandle	156
10.16.2	Locking device properties: DoorMonitoring status	157
10.17	Escape&Return function.....	158
11.	Status messages	159
11.1	Battery status.....	159
11.2	Emergency battery active	159
11.3	Deactivated.....	159
11.4	Emergency release active	160
11.5	Time-limited opening active.....	160
11.6	Engaged	160
11.7	Possible DoorMonitoring states of SmartHandles.....	160
12.	Signalling.....	161
12.1	Active	161
12.2	MP	161
12.3	Hybrid	161
13.	Battery warning.....	162
13.1	SmartHandle G1 battery warning (active).....	162
13.2	Battery warning SmartHandle G2 (Active)	162
13.3	Battery warning SmartHandle Hybrid.....	162
13.4	SmartHandle MP battery warning.....	163
13.5	Emergency battery storage mode (G1).....	164
13.6	Procedure for freeze mode (G1).....	164
13.7	Procedure for freeze mode (G2).....	165

14. Battery replacement.....	167
14.1 General instructions	167
14.2 Procedure with SmartHandle WP-SC.....	167
14.3 Procedure SmartHandle Hybrid.....	171
14.4 G2 battery replacement ID medium	174
15. Maintenance, cleaning and disinfection	176
16. Disassembly	177
16.1 Restore storage mode for Snap-in.....	177
16.2 Restore storage mode for conventional fastening system	177
16.3 Restore storage mode for conventional fastening system MO.....	178
16.4 Restore storage mode for SwissRound MO.....	178
16.5 Restore storage mode for ScandinavianOval.....	178
16.6 Restore storage mode for ScandinavianOval DP	179
16.7 Disassembling DoorMonitoring components.....	179
16.8 Restore storage mode for RRMO	180
16.9 Restore storage mode for RMO	180
17. Accessories.....	181
17.1 Battery set.....	181
17.2 Sleeves	181
17.3 Handles	181
17.4 Covers	181
18. Technical specifications.....	182
18.1 SmartHandle G1.....	182
18.2 SmartHandle G2.....	183
18.2.1 SmartHandle Hybrid.....	184
18.2.2 SmartHandle DoorMonitoring	184
18.2.3 SmartHandle ES1/SKG/PAS24	185
18.2.4 SmartHandle for escutcheon mounting (RMO).....	185
18.2.5 SmartHandle for metal frame mounting (RRMO).....	185
18.3 Dimensional drawings handles	186
19. Declaration of conformity.....	189
20. Help and other information	190

1. General safety instructions

Signal word: Possible immediate effects of non-compliance

WARNING: Death or serious injury (possible, but unlikely)

CAUTION: Minor injury

IMPORTANT: Property damage or malfunction

NOTE: Low or none



WARNING

Blocked access

Access through a door may stay blocked due to incorrectly fitted and/or incorrectly programmed components. SimonsVoss Technologies GmbH is not liable for the consequences of blocked access such as access to injured or endangered persons, material damage or other damage!

Blocked access through manipulation of the product

If you change the product on your own, malfunctions can occur and access through a door can be blocked.

- ❑ Modify the product only when needed and only in the manner described in the documentation.

Do not swallow battery. Danger of burns from hazardous substances

This product contains lithium button cell batteries. Swallowing the button cell battery, in can result in severe internal burns leading to death in as little as two hours.

1. Keep new and used batteries away from children.
2. If the battery compartment does not close securely, cease using the product and keep it away from children.
3. If you think batteries have been swallowed or are in any part of the body, seek medical attention immediately.

Risk of explosion due to incorrect battery type

Inserting the wrong type of battery can cause an explosion.

- ❑ Only use the batteries specified in the technical data.



CAUTION

Fire hazard posed by batteries

The batteries used may pose a fire or burn hazard if handled incorrectly.

1. Do not try to charge, open, heat or burn the batteries.
2. Do not short-circuit the batteries.

IMPORTANT**Damage resulting from electrostatic discharge (ESD) when enclosure is open**

This product contains electronic components that may be damaged by electrostatic discharges.

1. Use ESD-compliant working materials (e.g. Grounding strap).
2. Ground yourself before carrying out any work that could bring you into contact with the electronics. For this purpose, touch earthed metallic surfaces (e.g. door frames, water pipes or heating valves).

Damage resulting from liquids

This product contains electronic and/or mechanic components that may be damaged by liquids of any kind.

- ❑ Keep liquids away from the electronics.

Damage resulting from aggressive cleaning agents

The surface of this product may be damaged as a result of the use of unsuitable cleaning agents.

- ❑ Only use cleaning agents that are suitable for plastic or metal surfaces.

Damage as a result of mechanical impact

This product contains electronic components that may be damaged by mechanical impacts of any kind.

1. Avoid touching the electronics.
2. Avoid other mechanical influences on the electronics.

Damage due to polarity reversal

This product contains electronic components that may be damaged by reverse polarity of the power source.

- ❑ Do not reverse the polarity of the voltage source (batteries or mains adapters).

Operational malfunction due to radio interference

This product may be affected by electromagnetic or magnetic interference.

- ❑ Do not mount or place the product directly next to devices that could cause electromagnetic or magnetic interference (switching power supplies!).

Communication interference due to metallic surfaces

This product communicates wirelessly. Metallic surfaces can greatly reduce the range of the product.

- ❑ Do not mount or place the product on or near metallic surfaces.
-

**NOTE****Intended use**

SimonsVoss-products are designed exclusively for opening and closing doors and similar objects.

- ❑ Do not use SimonsVoss products for any other purposes.

Malfunctions due to poor contact or different discharge

Contact surfaces that are too small/contaminated or different discharged batteries can lead to malfunctions.

1. Only use batteries that are approved by SimonsVoss.
2. Do not touch the contacts of the new batteries with your hands.
3. Use clean and grease-free gloves.
4. Always replace all batteries at the same time.

Different times for G2 locks

The internal time unit of the G2 locks has a technical tolerance of up to ± 15 minutes per year.

Qualifications required

The installation and commissioning requires specialized knowledge.

- ❑ Only trained personnel may install and commission the product.

Incorrect installation

SimonsVoss Technologies GmbH accepts no liability for damage caused to doors or components due to incorrect fitting or installation.

Modifications or further technical developments cannot be excluded and may be implemented without notice.

The German language version is the original instruction manual. Other languages (drafting in the contract language) are translations of the original instructions.

Read and follow all installation, installation, and commissioning instructions. Pass these instructions and any maintenance instructions to the user.

2. Product specific safety notices



WARNING

Mounting on fire and smoke protection doors

The SmartHandle 3062 meets the requirements for installation on fire and smoke protection doors. All relevant proofs and certificates can be found on our homepage under certificates.

There may be additional requirements for fire and smoke protection doors.

1. When installing electronic fittings, please pay attention to the door's requirements relevant for approval.
2. In case of doubt, contact the exhibitor of the approval.



CAUTION

Combination with SVP lock

SmartHandle must be combined with a self-locking panic lock to guarantee all functions work correctly.

- Observe the lock manufacturers' Declaration of Conformity as per EN 179.

IMPORTANT

Material damage through drilling error

When you drill, you can cause damage to the door or the product if unsuitable tools are used. The SimonsVoss Technologies GmbH accepts no responsibility for material damage due to drilling errors.

- Observe safety instructions on drill.

Malfunction due to moisture

If the exterior of the door is outside or in areas with a high level of humidity (bathrooms or laundries), then use the WP version. All cable connections are then drawn into the interior area. The inside of the WP version is not protected against moisture.

1. Always use a WP version where the outside could come into contact with moisture.
2. Ensure that no moisture can reach the inside of the door.

Damage to the cables/cable connections

If you pull the cables, the cable connections or the cable itself could be damaged.

1. Do not pull the cables.
2. Disengage and separate the plug connectors carefully.

Loss of the precise guidance of the handle

It may be difficult to install on mortise locks with a retaining nut.

- ❑ Do not mechanically alter the locking nut. The handle would then lose its precise guidance.

Freeze mode due to separate storage

If you store the housing halves separately for a longer period of time (more than a week), SmartHandle may switch to freeze mode.

- ❑ Only separate the two halves of SmartHandle when installing it.

Mechanical damage to the LockNode

If the cover is fitted or removed, the LockNode can be damaged.

1. Fit or remove the cover carefully.
2. In removal, be aware of the slit in the cover.

Mechanical damage to the SmartHandle due to obstructions

If the handle can hit the wall or other objects due to the installation location, it can become deformed or break off.

- ❑ In such situations, use a suitable door-stopper.

Mechanical damage to the handle through misuse as door-opener

Some doors are very heavy and solidly constructed. The handle is not suitable for opening such doors.

- ❑ Make suitable door openers available (suitable handles) to avoid misuse of the knob.



NOTE

Qualifications required

The installation and commissioning requires specialized knowledge.

- ❑ Only trained personnel may install and commission the product.

Damage from unsuitable tool

Only use the SimonsVossfitting tool for assembly and battery changes.

Faulty orientation before fitting the conventional MO-version

The fastening holes and the spindle must be vertically aligned; otherwise, you may not be able to install the fitting. Use the drill-hole template.

Effect of the SmartHandle 3062

The SmartHandle 3062 affects only the latch of the mortice lock.

Programming with obsolete LSM version

New components can only be programmed with the current version of LSM.

Stiffness of the SmartHandle due to stiff mortice lock

If the mortice lock is stiff, the SmartHandle will also be stiff.

- ❑ Check that the mortice lock is free-moving.

Fitting error or incorrect order

If you make a mistake in measuring the door and order a SmartHandle, the SmartHandle will not fit.

- ❑ Check the dimensions of the door again before ordering.
-

3. Meaning of the text formatting

This documentation uses text formatting and design elements to facilitate understanding. The table explains the meaning of possible text formatting:

Example	button
<input checked="" type="checkbox"/> Example <input type="checkbox"/> Example	checkbox
<input checked="" type="radio"/> Example	Option
[Example]	Tab
"Example"	Name of a displayed window
Example	Upper programme bar
Example	Entry in the expanded upper programme bar
Example	Context menu entry
▼ Example	Name of a drop-down menu
"Example"	Selection option in a drop-down menu
"Example"	Area
<i>Example</i>	Field
<i>Example</i>	Name of a (Windows) service
<i>Example</i>	Commands (e.g. Windows CMD commands)
Example	Database entry
[Example]	MobileKey type selection

4. Intended use

Products in the SmartHandle 3062 range consist of electronic door fittings. Users can engage SmartHandle 3062 and open the door onto which it is fitted with an authorised ID medium, such as a transponder.

The corresponding authorisations need to be issued using an electronic locking plan.



NOTE

The SmartHandle 3062 must be programmed before it is fitted to the door!

Products in the SmartHandle 3062 range may only be used for locking and unlocking doors. No other use is permitted.

5. General information

The SmartHandle 3062 is an electronic fitting that can be used to open and close doors.

Electronic fittings of the SmartHandle 3062 series are available in the following models:

Fastening	Variants	information
Snap-in (drill hole-free)		<ul style="list-style-type: none"> ■ Mounting on doors ■ Designed for a handle lock with Euro profile or Swiss Round ■ The outer side can only be operated with identification medium ■ The inner side always engaged
Conventional (drill holes)	Without mechanical override	<ul style="list-style-type: none"> ■ Mounting on doors ■ Designed for a handle lock with Euro profile, Swiss Round or Scandinavian Oval ■ The outer side can only be operated with identification medium ■ The inner side always engaged
	With mechanical override (MO)	Like the version without mechanical overriding, but with recess for installation of a locking cylinder for overriding
Escutcheon installation (Use of existing drill holes) see <i>RMO</i> [▶ 25]	Without mechanical override	<ul style="list-style-type: none"> ■ Mounting on doors with existing escutcheon holes (DIN 18251) ■ Designed for a handle lock with Euro profile or Swiss Round ■ The outer side can only be operated with identification medium ■ The inner side always engaged
	With mechanical override (MO)	Like the version without mechanical overriding, but with recess for installation of a locking cylinder for overriding

Fastening	Variants	information
Metal frame mounting (Mounting on metal frame doors) see <i>RRMO</i> [▶ 24]	Without mechanical override	<ul style="list-style-type: none"> ■ Mounting on metal frame doors ■ Designed for a handle lock with Euro profile or Swiss Round ■ The outer side can only be operated with identification medium ■ The inner side always engaged
	With mechanical override (MO)	Like the version without mechanical overriding, but with recess for installation of a locking cylinder for overriding

In addition, fittings belonging to the SmartHandle 3062 series can have the following special functions:

<ul style="list-style-type: none"> ■ ESI certification ■ SKG certification ■ PAS24 certification 	For increased safety at doors (see <i>ESI/SKG/PAS24</i> [▶ 31]).
DoorMonitoring	The current status of the door can be transmitted to appropriate software (see <i>DoorMonitoring (DM)</i> [▶ 34]).

6. Designs

The following section describes the different individual versions or options available for SmartHandle 3062.

This SmartHandle 3062 has a reader on one side only. The inside handle is permanently engaged to open. You can use the inside handle to operate or open the door in dangerous situations at any time, even without an identification medium.

You can use the SmartHandle 3062 in mortise locks with an actuation angle of up to 31°.

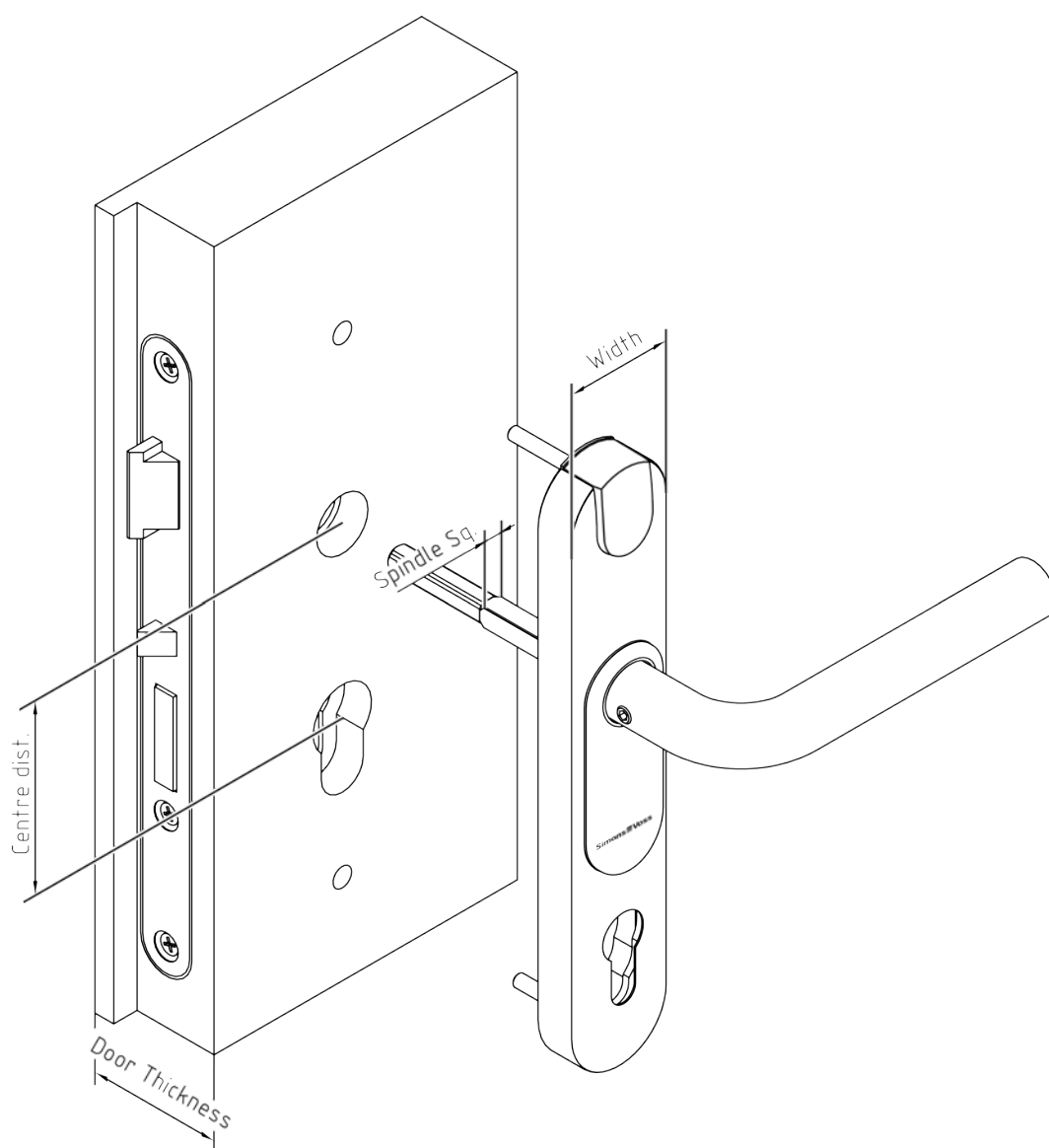


NOTE

Damage potentially caused by larger actuation angles

The SmartHandle 3062 has been developed for actuation angles or spindle hub angles up to 31 degrees. Use with too acute a spindle hub angle can cause a defect in the SmartHandle 3062 .

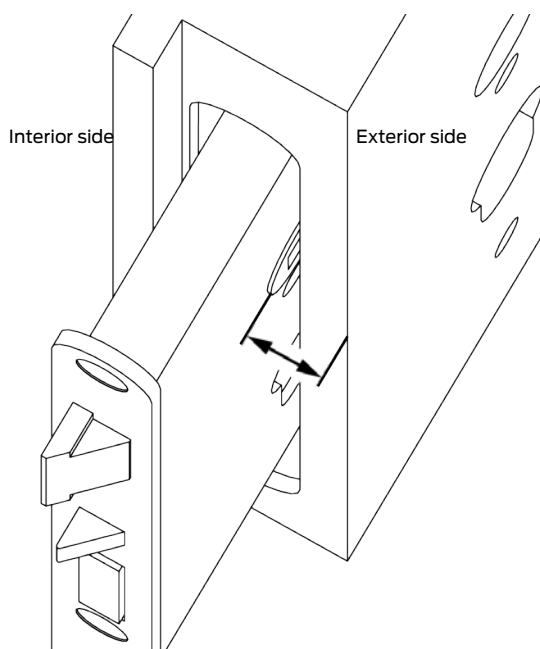
- If necessary, use a different mortise lock.



6.1 Prerequisites

These distances depend on the design of the door (door-specific).

Distance lock fol-
lower face (out-
side) to the outside
door leaf

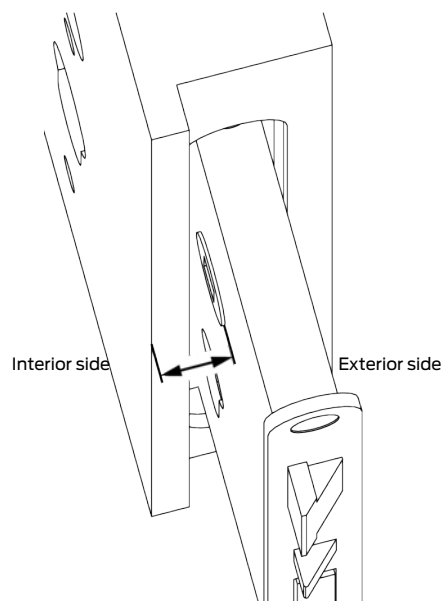


The SmartHandle 3062 is suitable for the following distances, depending on the fastening:

Fastening	Door thick- ness S	Door thick- ness M	Door thick- ness L
<ul style="list-style-type: none"> ■ conventional fastening for mortise locks with Euro profile cylinder or Swiss Round cylinder ■ SnapIn fastening for mortise locks with Euro profile cylinder or Swiss Round cylinder (see <i>Fastening</i> [▶ 23]) 	min. 4 mm	min. 4 mm	min. 4 mm
<ul style="list-style-type: none"> ■ Escutcheon fastening (with/without mechanical override) ■ Metal frame fastening (with/without mechanical override) (see <i>Fastening</i> [▶ 23] and <i>RMO</i> [▶ 25]/<i>RRMO</i> [▶ 24]) 	min. 1 mm	min. 1 mm	min. 1 mm
Conventional fastening with certification according to: <ul style="list-style-type: none"> ■ ES1 ■ SKG ■ PAS24 (see <i>Fastening</i> [▶ 23] and <i>ES1/SKG/PAS24</i> [▶ 31])	no minimum thickness	no minimum thickness	no minimum thickness

Fastening	Door thick- ness S	Door thick- ness M	Door thick- ness L
Conventional fixing for mortise locks with Scandinavian Oval cylinder (with/without mechanical override) (see <i>Fastening</i> [▶ 23])	min. 1 mm	min. 1 mm	min. 1 mm

Distance lock fol-
lower end face
(outside) to inside
door leaf

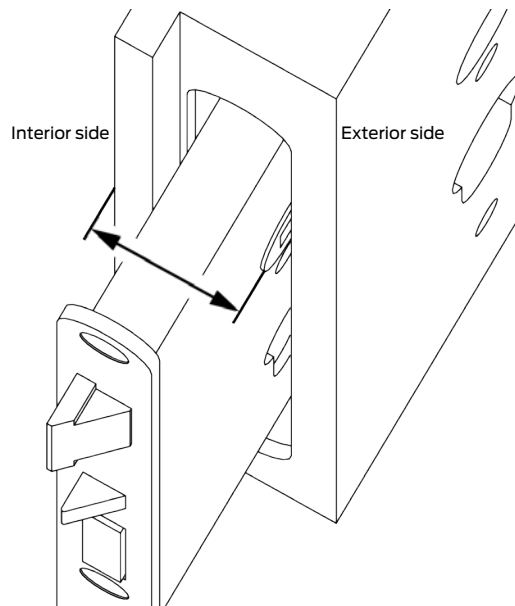


The SmartHandle 3062 is suitable for the following distances, depending on the fastening:

Fastening	Door thick- ness S	Door thick- ness M	Door thick- ness L
<ul style="list-style-type: none"> ■ conventional fastening for mortise locks with Euro profile cylinder or Swiss Round cylinder ■ SnapIn fastening for mortise locks with Euro profile cylinder or Swiss Round cylinder (see <i>Fastening</i> [▶ 23])	min. 5 mm	min. 5 mm	min. 5 mm
<ul style="list-style-type: none"> ■ Escutcheon fastening (with/without mechanical override) ■ Metal frame fastening (with/without mechanical override) (see <i>Fastening</i> [▶ 23] and <i>RMO</i> [▶ 25]/ <i>RRMO</i> [▶ 24])	min. 1 mm	min. 1 mm	min. 1 mm

Fastening	Door thickness S	Door thickness M	Door thickness L
Conventional fastening with certification according to: ■ ES1 ■ SKG ■ PAS24 (see <i>Fastening</i> [▶ 23] and <i>ES1/SKG/PAS24</i> [▶ 31])	no minimum thickness	no minimum thickness	no minimum thickness
Conventional fixing for mortise locks with Scandinavian Oval cylinder (with/without mechanical override) (see <i>Fastening</i> [▶ 23])	min. 2 mm	min. 2 mm	min. 2 mm

Distance lock follow face (outside) to the inside door leaf



The SmartHandle 3062 is suitable for the following distances, depending on the fastening:

Fastening	Door thickness S	Door thickness M	Door thickness L
■ conventional fastening for mortise locks with Euro profile cylinder or Swiss Round cylinder ■ SnapIn fastening for mortise locks with Euro profile cylinder or Swiss Round cylinder (see <i>Fastening</i> [▶ 23])	max. 41 mm	max. 61 mm	max. 81 mm

Fastening	Door thick- ness S	Door thick- ness M	Door thick- ness L
<ul style="list-style-type: none"> ■ Escutcheon fastening (with/without mechanical override) ■ Metal frame fastening (with/without mechanical override) <p>(see <i>Fastening</i> [▶ 23] and <i>RMO</i> [▶ 25]/<i>RRMO</i> [▶ 24])</p>	max. 36 mm	max. 56 mm	max. 76 mm
<p>Conventional fastening with certification according to:</p> <ul style="list-style-type: none"> ■ ES1 ■ SKG ■ PAS24 <p>(see <i>Fastening</i> [▶ 23] and <i>ES1/SKG/PAS24</i> [▶ 31])</p>	max. 38 mm	max. 58 mm	max. 78 mm
<p>Conventional fixing for mortise locks with Scandinavian Oval cylinder (with/without mechanical override)</p> <p>(see <i>Fastening</i> [▶ 23])</p>	max. 38 mm	max. 58 mm	max. 78 mm

6.2 Mechanical Override (MO)

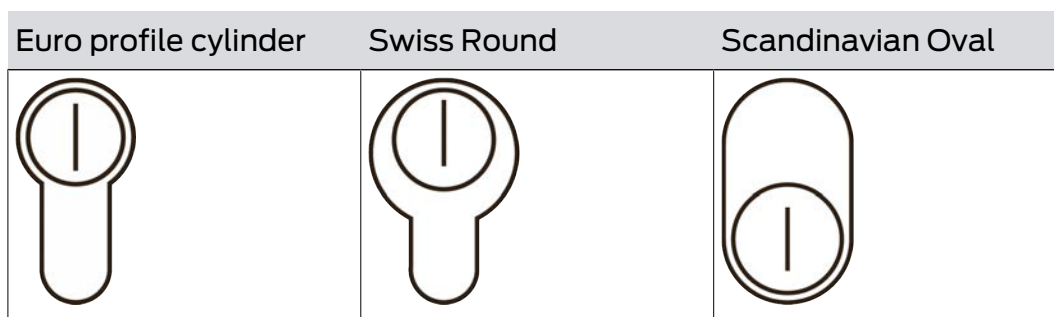
You can also install a mechanical locking cylinder (see *Profiles* [▶ 22]). This enables you to open the door without using the electronics and open the door with a mechanical key.

Order according to your aesthetic needs:

- Cut-out for the cylinder open on both sides
- Cut-out for the cylinder open on one side
- Cut-out for the cylinder concealed on both sides (completely concealed and invisible cylinder)

6.3 Profiles

Choose from the following mortise lock profiles for your SmartHandle 3062:

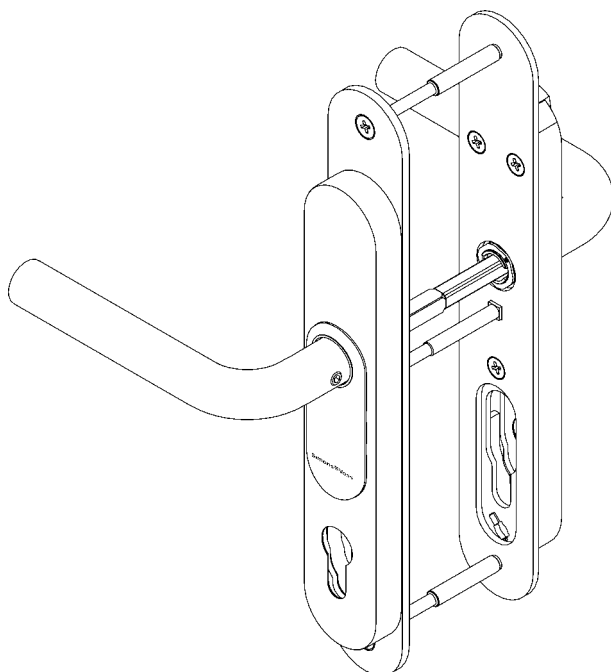


6.4 Fastening

You can use the following fastening variants:

Fastening		
Snap-in	<ul style="list-style-type: none"> ■ <i>Snap-in [▶ 40]</i> ■ <i>Snap-in DoorMonitoring [▶ 48]</i> 	No additional drill holes are required on the door. You attach the Smart-Handle 3062 through the square and profile cylinder opening.
Conventional	<ul style="list-style-type: none"> ■ <i>Conventional fastening [▶ 56]</i> ■ <i>Conventional fastening ES1/SKG/PAS24 [▶ 73]</i> ■ <i>Conventional fastening system Scandinavian Oval [▶ 102]</i> ■ <i>Conventional fastening system for Scandinavian Oval DP [▶ 106]</i> 	
Conventional with mechanical override (blank and cut-out)	<ul style="list-style-type: none"> ■ <i>Conventional fastening system WO [▶ 64]</i> ■ <i>Swiss Round MO [▶ 92]</i> ■ <i>Conventional fastening system for Scandinavian Oval MO [▶ 109]</i> 	You can additionally install a mechanical cylinder for overriding.
Metal frame fastening with (optional) mechanical overriding	<i>RRMO [▶ 24]</i>	You can additionally install a mechanical cylinder for overriding.
Escutcheon fastening with (optional) mechanical override	<i>RMO [▶ 25]</i>	You can additionally install a mechanical cylinder for overriding.

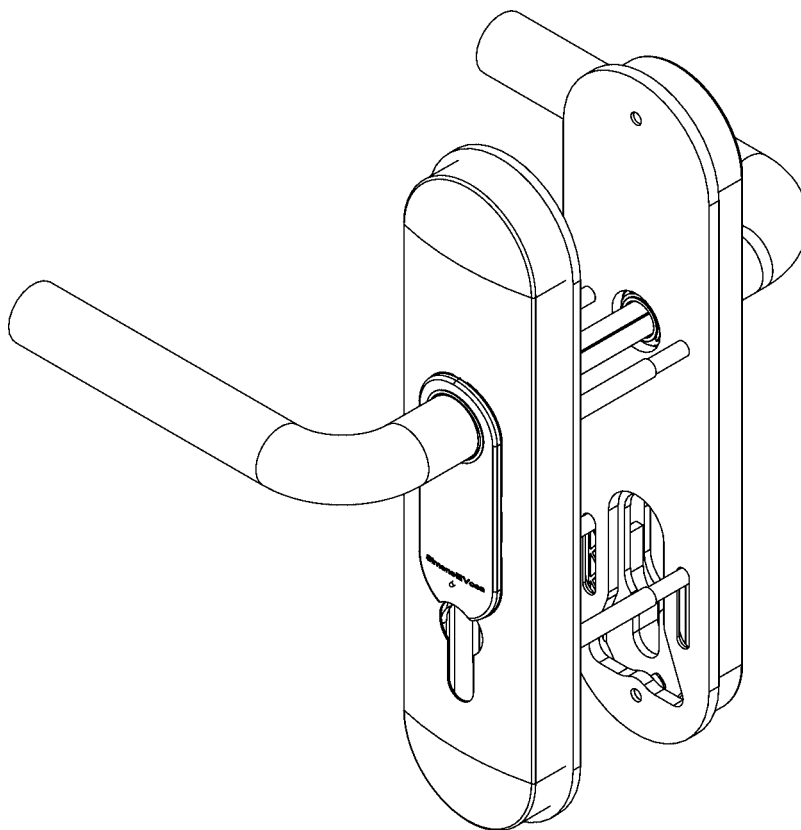
6.4.1 RRMO



Use the RRMO version of the SmartHandle 3062 if you want to mount a SmartHandle 3062 on a metal frame door with a lock with a large distance. Two adapter plates for mounting on metal frame doors (RR) are included. The recesses allow mechanical override (MO).

If you do not want mechanical locking, you can use the SnapIn variant.

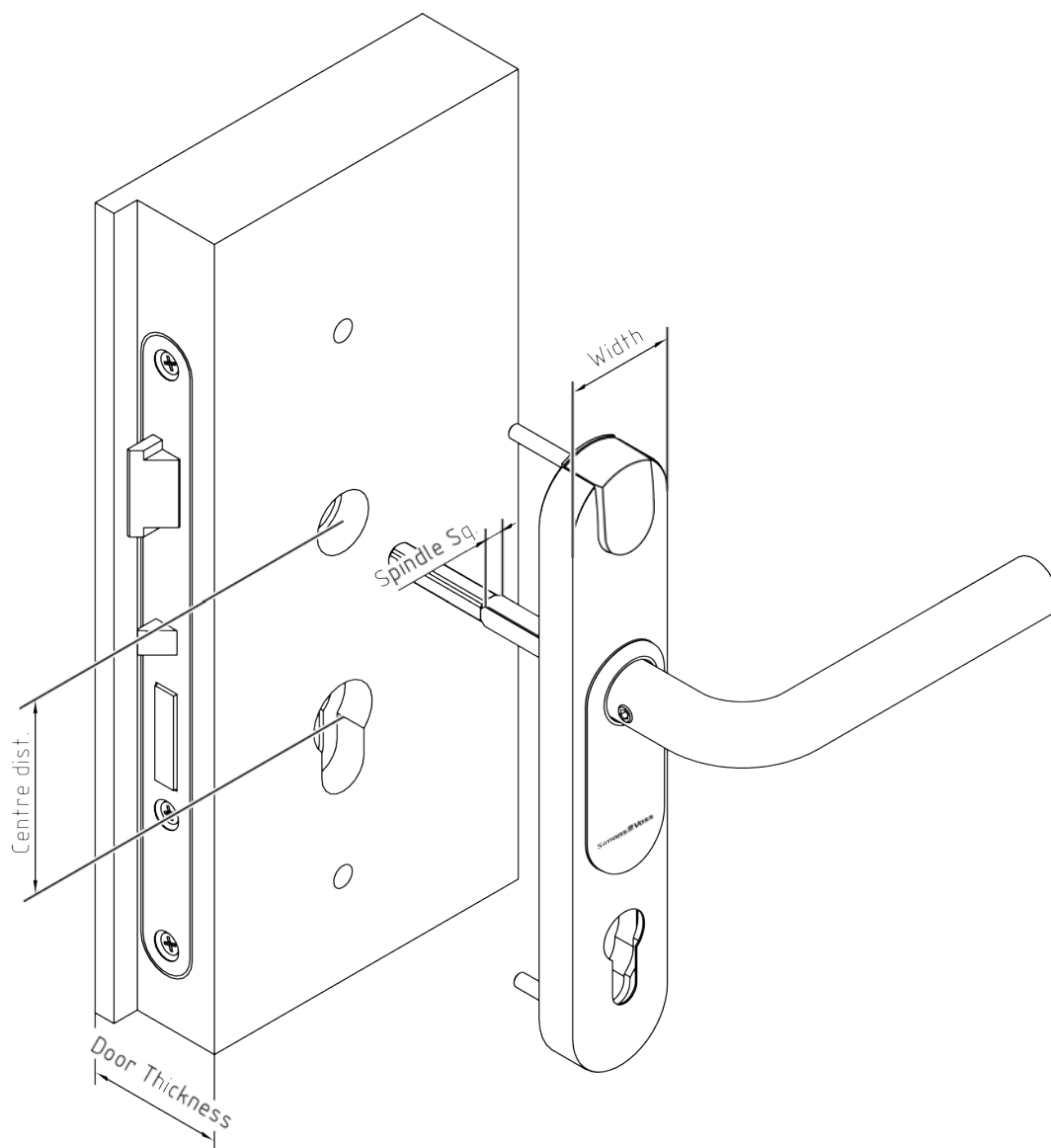
6.4.2 RMO



Use the RMO (escutcheon mounting with mechanical override) version of the SmartHandles 3062 if:

- mechanical override (MO) with Euro profile (PC) or Swiss Round profile (SR) is desired and
- four escutcheon holes for fixing the RMO version in the door (DIN 18251) are already present and these should also be covered.

6.5 Distances and door thicknesses

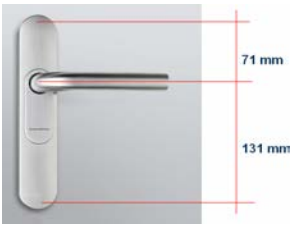


6.5.1 Profile cylinder (PC)

6.5.1.1 SnapIn fastening

	Standard	MO	ES1/SKG/PAS24	MO and ES1/SKG/PAS24
Door thickness	S: 39 - 60 mm			
	M: 59 - 80 mm			
	L: 79-100 mm			
Centres distance	<ul style="list-style-type: none"> ■ 70 mm ■ 72 mm ■ 75 mm ■ 78 mm ■ 85 mm ■ 88 mm ■ 90 mm ■ 92 mm 	Cannot be combined with SnapIn	Cannot be combined with SnapIn	Cannot be combined with SnapIn

6.5.1.2 Conventional fastening

	Standard	MO	ES1/SKG/PAS24	MO and ES1/SKG/PAS24
Door thickness	S: 39 - 60 mm	S: Like standard	S: 32 - 50 mm	
	M: 59 - 80 mm	M: Like standard	M: 50 - 70 mm	
	L: 79-100 mm	L: Like standard	L: 70 - 90 mm	
Centres distance	Limited by mortise lock 	<ul style="list-style-type: none"> ■ 72 mm ■ 75 mm ■ 78 mm ■ 85 mm ■ 88 mm ■ 90 mm ■ 92 mm 	Limited by mortise lock	MO cannot be combined with ES1/PAS24/SKG

6.5.1.3 Escutcheon installation

	Standard	MO	ES1/SKG/PAS24	MO and ES1/SKG/PAS24
Door thickness	S: 40 - 53 mm	S: Like standard		
	M: 52 - 73 mm	M: Like standard		
	L: 72 - 93 mm	L: Like standard		
Centres distance	Limited by mortise lock	<ul style="list-style-type: none"> ■ 72 mm ■ 75 mm ■ 78 mm ■ 85 mm ■ 88 mm ■ 90 mm ■ 92 mm 	Cannot be combined with escutcheon installation	Cannot be combined with escutcheon installation

6.5.1.4 Metal frame mounting

	Standard	MO	ES1/SKG/PAS24	MO and ES1/SKG/PAS24
Door thickness	S: 40 - 53 mm	S: Like standard		
	M: 52 - 72 mm	M: Like standard		
	L: 71 - 91 mm	L: Like standard		
Centres distance	Limited by mortise lock	<ul style="list-style-type: none"> ■ 70 mm ■ 72 mm ■ 75 mm ■ 78 mm ■ 85 mm ■ 88 mm ■ 90 mm ■ 92 mm 	Cannot be combined with metal frame mounting	Cannot be combined with metal frame mounting

6.5.2 Swiss round (SR)

6.5.2.1 SnapIn fastening

	Standard	MO	ES1/SKG/PAS24	MO and ES1/SKG/PAS24
Door thickness	S: 39 - 60 mm	Cannot be combined with SnapIn	Cannot be combined with SnapIn	Cannot be combined with SnapIn
	M: 59 - 80 mm			
	L: 79-100 mm			
Centres distance	<ul style="list-style-type: none"> ■ 78 mm ■ 94 mm 			

6.5.2.2 Conventional fastening

	Standard	MO	ES1/SKG/PAS24	MO and ES1/SKG/PAS24
Door thickness	S: 39 - 60 mm	S: Like standard	Cannot be combined with Swiss Round	Cannot be combined with Swiss Round
	M: 59 - 80 mm	M: Like standard		
	L: 79-100 mm	L: Like standard		
Centres distance	Limited by mortise lock	<ul style="list-style-type: none"> ■ 78 mm ■ 94 mm 		

6.5.2.3 Escutcheon installation

	Standard	MO	ES1/SKG/PAS24	MO and ES1/SKG/PAS24
Door thickness	S: 40 - 53 mm	S: Like standard	Cannot be combined with escutcheon installation	Cannot be combined with escutcheon installation
	M: 52 - 73 mm	M: Like standard		
	L: 72 - 93 mm	L: Like standard		
Centres distance	Limited by mortise lock	<ul style="list-style-type: none"> ■ 70 mm ■ 72 mm ■ 75 mm ■ 78 mm ■ 85 mm ■ 88 mm ■ 90 mm ■ 92 mm 		

6.5.2.4 Metal frame mounting

	Standard	MO	ES1/SKG/PAS24	MO and ES1/SKG/PAS24
Door thickness	S: 40 - 53 mm	S: Like standard		
	M: 52 - 72 mm	M: Like standard		
	L: 71 - 91 mm	L: Like standard		
Centres distance	Limited by mortise lock	<ul style="list-style-type: none"> ■ 70 mm ■ 72 mm ■ 75 mm ■ 78 mm ■ 85 mm ■ 88 mm ■ 90 mm ■ 92 mm 	Cannot be combined with metal frame mounting	Cannot be combined with metal frame mounting

6.5.3 Scandinavian oval (SO)

6.5.3.1 SnapIn fastening

SmartHandle 3062 are not available for SnapIn mounting on Scandinavian Oval mortise locks.

6.5.3.2 Conventional fastening

	Standard	MO	ES1/SKG/PAS24	MO and ES1/SKG/PAS24
Door thickness	S: 33 - 54 mm	S: Like standard		
	M: 53 - 74 mm	M: Like standard		
	L: 73 - 94 mm	L: Like standard		
Door thicknesses (version with drilling protection DP)	S: 30 - 51 mm	S: Like standard	Cannot be combined with Scandinavian Oval	Cannot be combined with Scandinavian Oval
	M: 50 - 71 mm	M: Like standard		
	L: 70 - 91 mm	L: Like standard		
Centres distance	■ 105 mm	■ 105 mm		

6.5.3.3 Escutcheon installation

SmartHandle 3062 are not available for mounting on Scandinavian Oval escutcheons.

6.5.3.4 Metal frame mounting

SmartHandle 3062 are not available for mounting on Scandinavian Oval metal frames.

6.6 ES1/SKG/PAS24

You can also get the SmartHandle 3062 with the following certifications (see <https://www.simons-voss.com/de/zertifikate.html>):

- SKG certification (SKG**)
- ES1 (DIN 18257)
- PAS24

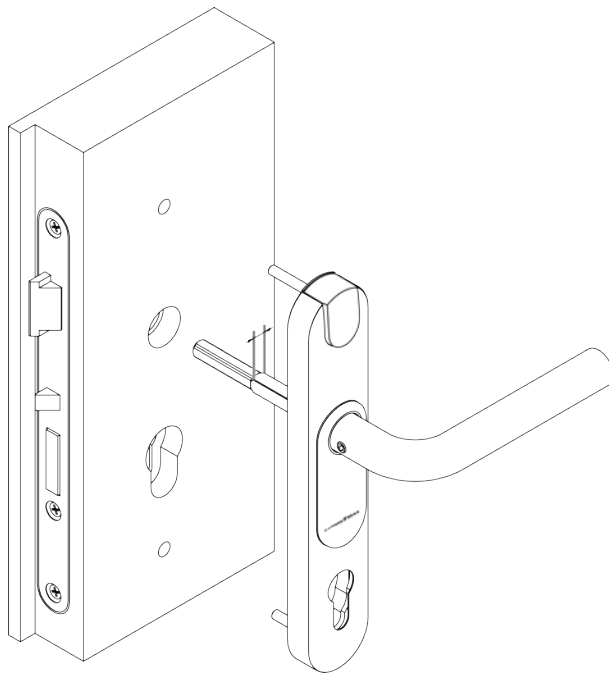
These versions also meet the highest security requirements, guarantee sustainable functionality even in extreme situations and provide optimum protection against break-in or attempted manipulation.

6.7 SmartHandle without electronics

The SmartHandle 3062 is also available without electronics (for example for design purposes). The square is then always continuous and the door can therefore be operated from both sides without an identification medium.

If you want to lock the door, you need a variant with mechanical locking (MO). Here you can lock the door with an additional cylinder (see *Profiles* [▶ 22]).

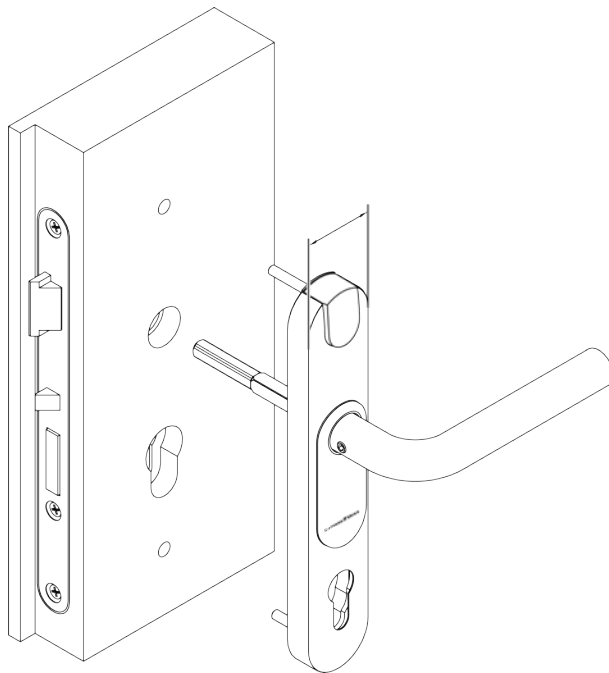
6.8 Spindle



You can use the following square sizes:

Square size		Approval for fire-resistant doors
7 mm		
8 mm		in F8 design suitable for fire protection doors
8.5 mm	<ul style="list-style-type: none"> ■ with sleeve attached to 8 mm (not included in delivery) ■ available separately (see <i>Sleeves</i> [▶ 181]) 	
9 mm		suitable for fire doors
10 mm	with sleeve attached to 8 mm (included in the scope of delivery with ordered 10 mm version of the SmartHandle 3062)	

6.9 Backplate width/wide



You can choose between the following shield widths for the cover:

Narrow backplate	41 mm
Wide backplate	53 mm

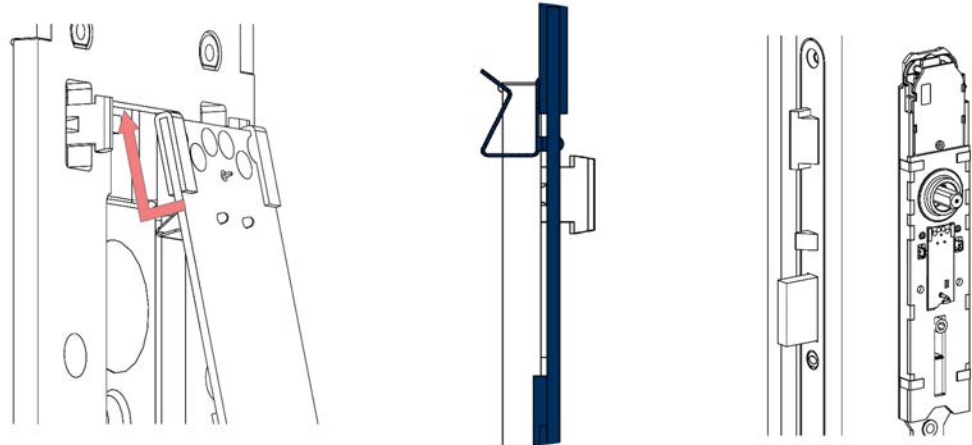
SmartHandle with one of the following options is slightly larger due to additional mounting plates:

- DP
- ES1
- SKG
- PAS24

Narrow backplate	47 mm
Wide backplate	59 mm

6.10 Network (WaveNet)

You can equip the SmartHandle 3062 with a network node (see *LockNode (LNI)* [[▶ 146](#)]) at any time. You do not have to exchange any components for this purpose. Instead, you simply plug the network node's circuit board into the slot provided.



There is a special waterproof version of the network circuit board for use outdoors. You need a WP network node for a WP SmartHandle. If you are using the WP version, you will find the slot for the network node on the inside.

If you are using a SmartHandle 3062 with door monitoring function (see [DoorMonitoring \(DM\) \[▶ 34.\]](#)), the LockNode is already permanently integrated and cannot be exchanged.

6.11 DoorMonitoring (DM)

The SmartHandle 3062 with door monitoring function (DM) is an electronic door fitting with integrated door monitoring. The integrated door monitoring system in the DM SmartHandle 3062 is fitted without any wiring to the door.

Full functionality of the DoorMonitoring function can only be achieved with a suitable SVP lock. Please observe compatibility. The DoorMonitoring SmartHandle with external "sensor lock" sensors can also be used as a MO version.

Sensors within the DM-SmartHandle 3062 monitor the opening status of the door.

The DM-SmartHandle 3062 logs the accesses (access lists) and monitors the status and status changes of the door (open, closed, locked, securely locked, attempted manipulation and forced opening).

The following door statuses are logged:

- Door open/closed
- Door unlocked/securely locked
- Alarm

These door statuses can be transmitted to LSM via the WaveNet network, where they can be displayed, so that the user can see the door status easily.









The LSM software allows you to define events which trigger a definable, time-dependent response, such as a pop-up window with a warning or an email, when the status of a locking device changes.

From LSM BASIC (from version 3.3), alarms can be forwarded to third-party software.

All changes are logged in the access list, including the transponder ID, date and time, which the locking system operator or a security officer can then upload and evaluate if necessary.

6.12 Handle variants

Select your preferred handle version:

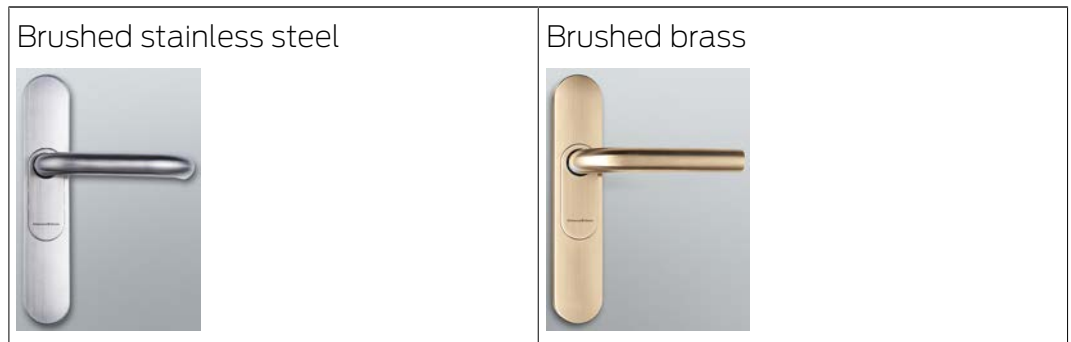
	L-shaped	U-shape
Mitred		
Rounded, curved		
Rounded, curved, offset	Not available	
Mitred, offset	Not available	
Round bended, anti-bacterial coated	 (like uncoated version)	 (like uncoated version)

The SKG version is supplied with a thumb-turn on the inside.

All handle variants are also available as accessories.

6.13 Surface finishes

Select the upper surface for your SmartHandle 3062:



6.14 Reader technology

The reading technologies available are the Active Technology and the MIFARE® Technology. The SmartHandle 3062 – SC can be controlled both with active transponders and MIFARE® cards. SmartHandle 3062 – SC is only available in connection with the G2 protocols. The following MIFARE® products can be used:

- MIFARE® Classic
- MIFARE® PLUS S
- MIFARE® PLUS X
- MIFARE® DESFire EV1 and EV2

6.15 Options

6.15.1 G1 Version

G1 products are supported in this version. Existing G1 locking systems can be upgraded with SmartHandle or SmartHandle can be integrated into new G1 systems. Up to 8,000 different transponders can be managed. LSM 3.0 or higher and a programming device (Smart CD type or newer) are required to use this solution.

6.15.2 G2 Version

G2 products are supported in this version. Existing G2 locking systems can be upgraded with SmartHandle or SmartHandle can be integrated into new G2 systems. Up to 64,000 different transponders or 64,000 different smart cards (Hybrid or MP variants) can be managed in these systems.

See the 'G2 Protocols' manual for more detailed information.

6.15.3 ZK version (access control)

Design is similar to standard version but with access event logging and time zone control.

Access event logging

SmartHandle logs up to 3,000 (G1) or up to 3,600 (G2) of the most recent access events with the date, time and transponder ID (TID). The data can be read via the network or using the programming device at any time.

Time zone control

SmartHandle can be programmed in such a way that authorised transponders and smart cards/smart tags (G2) are only authorised for access at specific times. There are 16,000 (G1) or 64,000 (G2) time zone schedules available per locking system within the different time zone schedules and 5+1 (G1) or 100+1 (G2) different time zone groups available per locking device.

6.15.4 WP Version (weatherproof)

The WP version has been specially developed for the exterior shell of buildings. This variant should always be used when the outer surface may come into contact with damp. SmartHandle must not come into contact with damp through the door or in indoor areas.

6.15.5 DP version (drill protection)

Version with extra protection against levering open.

6.15.6 Escape&Return function

DoorMonitoring SmartHandles come with the Escape&Return function. This allows opening without the need to press an identification medium again, shortly after the door was closed.

A sensor in the SmartHandle detects that the inside handle has been operated. The SmartHandle then engages for an adjustable time and signals this visually and acoustically.

Disengagement takes place after the previously defined time. The user can also disengage the locking device manually (thus canceling the escape and return function) by holding his card two seconds in front of the lock's card reader.

The signalling of the Escape&Return function can be switched off.

Example:

If a guest leaves their hotel room and smells smoke in the corridor, they can go back into their room immediately.

Example 2:

Student residence / retirement home: In many cases, the user notices that he forgot the card immediately after he or she closed the door. With Escape & Return the user can solve this problem himself.

7. Storage

IMPORTANT

Freeze mode due to separate storage

If you store the housing halves separately for a longer period of time (more than a week), SmartHandle may switch to freeze mode.

- Only separate the two halves of SmartHandle when installing it.
-

Storage mode

SmartHandle is screwed together in its box when delivered. The two housing halves are firmly joined together. You can programme SmartHandle directly as it is in the box.

After initial programming

Leave the housing halves screwed together after initial programming.

Installation

You need to separate the two housing halves to install SmartHandle. Do not separate the two halves until just before you install it.

8. Installation (manual)

Some variants are supplied screwed into temporary spacer sleeves, so that the SmartHandles can be programmed in the packaging. This will ensure that the metal surfaces touch. Contact needs to be established in this way to programme SmartHandle.

- Temporary spacer sleeves are used to secure SmartHandles during transport and are not needed to operate SmartHandles.
- The plastic screws are used to secure SmartHandles during transport and must not be used for installation.

8.1 Snap-in

8.1.1 Contents of packaging

- 2 x inlays
- 2 x covers
- 1 x outer fitting
- 1 x inside fitting
- 1 x outer fitting, including lock ring
- 1 x inside handle for inside fitting (including hexagon screw)
- 1 x mounting screw
- 1 x profile cylinder inlay (in versions for fire retardant doors only)
- 1 x quick start guide
- 1 x installation tool for inlay

8.1.2 Tools required

The following tools are required for installing SmartHandle 3062 and are not included in the supplied package:

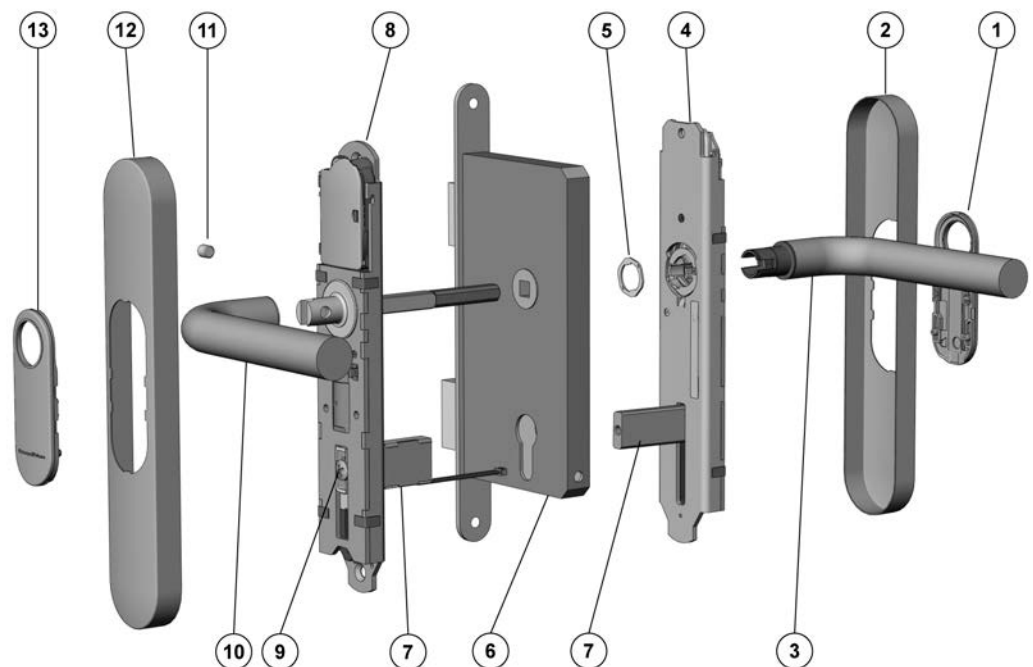
- Allen key (3 mm) to fit handle
- Cross-tip screwdriver type PH2 (battery screwdriver recommended)

8.1.3 Installation instructions SnapIn

- Batteries are already installed when the product is delivered!
- When installing the electronic SmartHandle 3062, ensure that there are no sources of low-frequency interference in the surrounding area.
- SmartHandle 3062 must be fitted, so that it is flush with the door. You must install the product as specified to ensure that it is structurally stable and will have a long service life.

- You must not strike parts of SmartHandle 3062 during installation.
- The two inlays in the cover are locked into position with a clip mechanism. These may only be removed using the SimonsVoss installation tool.
- In the case of fire retardant doors, you must ensure that the supplied profile cylinder inlay is pressed against the snap-in mechanism in the inside fitting.
- No water or moisture must penetrate the door or reach the inner side. Always use the WP version for moisture.
- Programme SmartHandle 3062 before installing.
- SmartHandle 3062 may be difficult to fit in mortise locks with a retaining nut. You must not alter the retaining nut in any way, using a file, for example; otherwise, the handle's guide piece will no longer fit accurately.
- When installing SmartHandle, you must ensure that the cable does not get caught or fitted too tightly to the door.

8.1.4 Snap-in



Key:

1. Inlay
2. Inlay
3. Outside handle

4. Outer fitting
5. handle fastener piece
6. Door lock (not included in the scope of supply)
7. Snap-in mechanism
8. Inside fitting
9. Screw
10. Inside handle
11. Inside hexagon screw
12. Inlay
13. Inlay

Installation:

1. Optional: handles, escutcheons, fittings and other door furniture fitted to the door are to be removed.
2. Optional: Fasten mortise lock into the door
3. SmartHandle is partly assembled when delivered; see Disassembly.
4. The inlay cannot be fitted on some handles, such as offset handles, when they are already installed. Push the inlay onto the outer handle with the logo facing outwards in such cases. You can do this with most handles.
5. Push inlay (1) onto the outer handle (3). Depending on the handle model, it may not be possible to fit it once the handle is installed.
6. Insert outer handle (3) horizontally into the outer fitting (4), placing it in the direction that you require, depending on whether it is a DIN left-hand or right-hand door.
7. Place handle fastener piece (5) into position (see Diagrams 2 and 3).
8. Hold the outside handle (3) and use the spanner to rotate the fastener piece (5) about 75° to the right until it fits into position (Diagrams 4 and 5). If you do not fit it correctly, the handle may come loose again.
9. Optional: In a lock with an 8.5 mm or 10 mm spindle, push the corresponding sleeve (8 mm --> 8.5 mm [not included in the supply package] or 8 mm --> 10 mm) through the retainer opening in the mortise lock from the inside.
10. Push the 3-pole inside fitting cable into the snap-in mechanism (7). This protects it from external impact during installation (Diagram 6).
11. The inside fitting (8) is mounted onto the inner surface of the door. The inside fitting (8) is fastened to the door by sliding the spindle through the retainer slot and the snap-in mechanism through the mortise lock (6) cylinder opening at the same time.

12. Push the inside fitting (8) until it is flush with the door.
13. Remove the cables from the snap-in mechanism (7), so that they hang freely out of the door and are not damaged (Diagram 7).
14. The outer fitting (4) is mounted from the outer side of the door. Push the spindle slot in the outer fitting (4) onto the spindle while pushing the snap-in mechanism (7) on the outer fitting (4) into the snap-in (7) on the inside fitting (8).
15. Push on outer fitting (4) until it is about 1 cm from the door.
16. Push the inside fitting 3-pole cable through the elongated hole in the outer fitting. Do not pull on the cable while doing so (Diagram 8).
17. Connect the 3-pole cable from the inside fitting to the 3-pole cable from the outer fitting. This cable can only be inserted in one direction. Do not pull on the cables while doing so; just carefully secure the plug-in connection into position.
18. Optional: Connect the 2-pole cable from the LockNode to the 2-pole cable from the inside fitting.
19. The 2-pole cable from the outer fitting can hang freely, but must not get caught when the outer cover (1) is fitted. Do not pull on the cable.
20. Press outer and inside fittings together, so that they are both flush against the door.
21. Push mounting screw (9) through the snap-in mechanism (7) from the inner side of the door and tighten by hand, using about 5-7 Nm.
22. Check that the outer handle (3) can turn easily; if it does not, there may be a problem with the lock or the handle may have been fitted incorrectly. In case of doubt, disassemble components and start again from Step 7. Depending on the handle model, it may not be possible to fit it once the handle is installed.
23. Push inside handle (10) onto the inner fitting (8) fastening flange until it will go no further.
24. Tighten the hexagon screw (11) on the inside handle (10) by hand, so that it is flush with the handle.
25. Push the cover (12) over the inside handle (10).
26. Carefully push the inlay (13) through the opening in the inside cover (12).
27. Push the cover (12) onto the inside fitting (8), so that it is flush with the door. The cover is not symmetrical; look carefully at the marking to ensure correct positioning (Diagram 10).
28. Click the inlay (13) carefully into the cover (12).
29. Push the cover (1) over the outside handle (3).
30. Carefully push the inlay (1) through the opening in the outside cover (2).

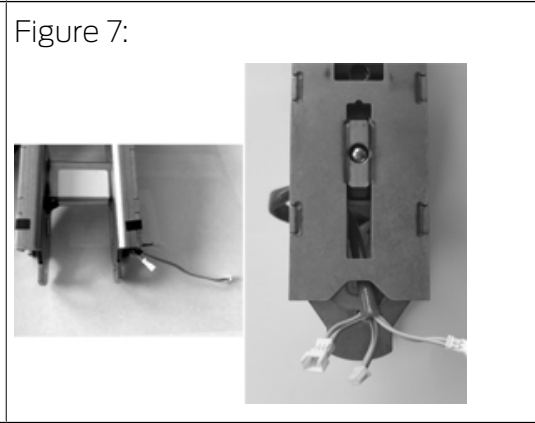
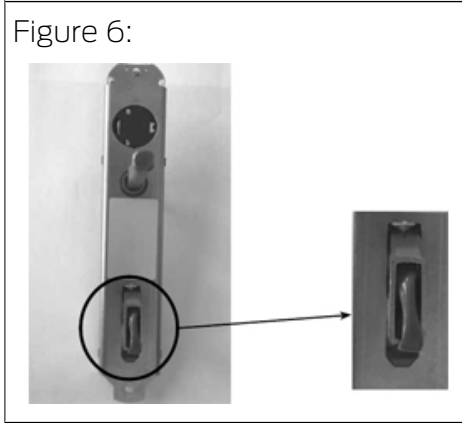
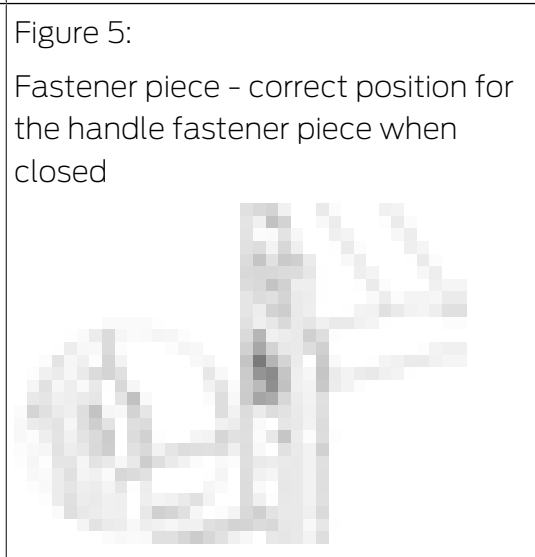
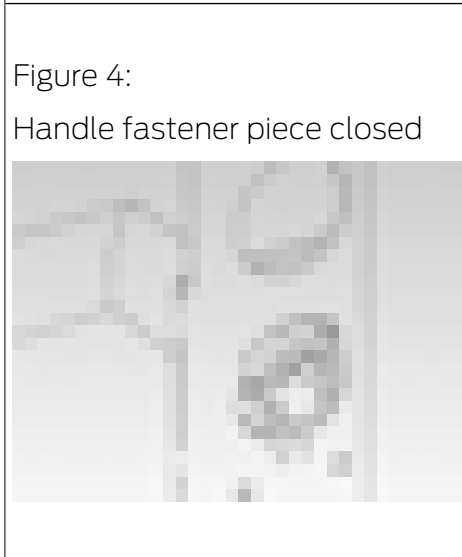
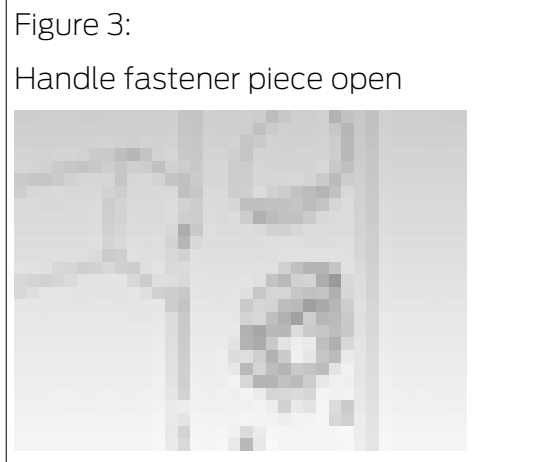
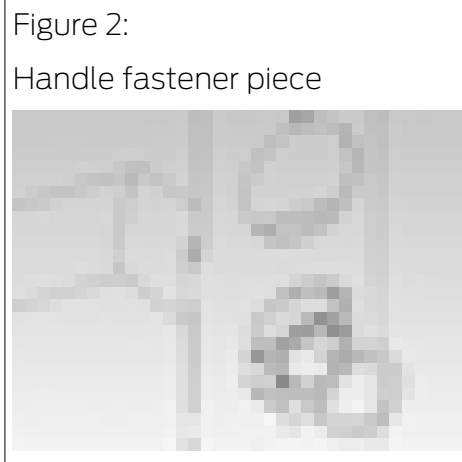
31. Push the cover (2) onto the outer fitting (4), so that it is flush with the door. The cover is not symmetrical; look carefully at the marking to ensure correct positioning (Diagram 10).
32. Push the inlay (1) over the handle (3) and click it into place in the cover.

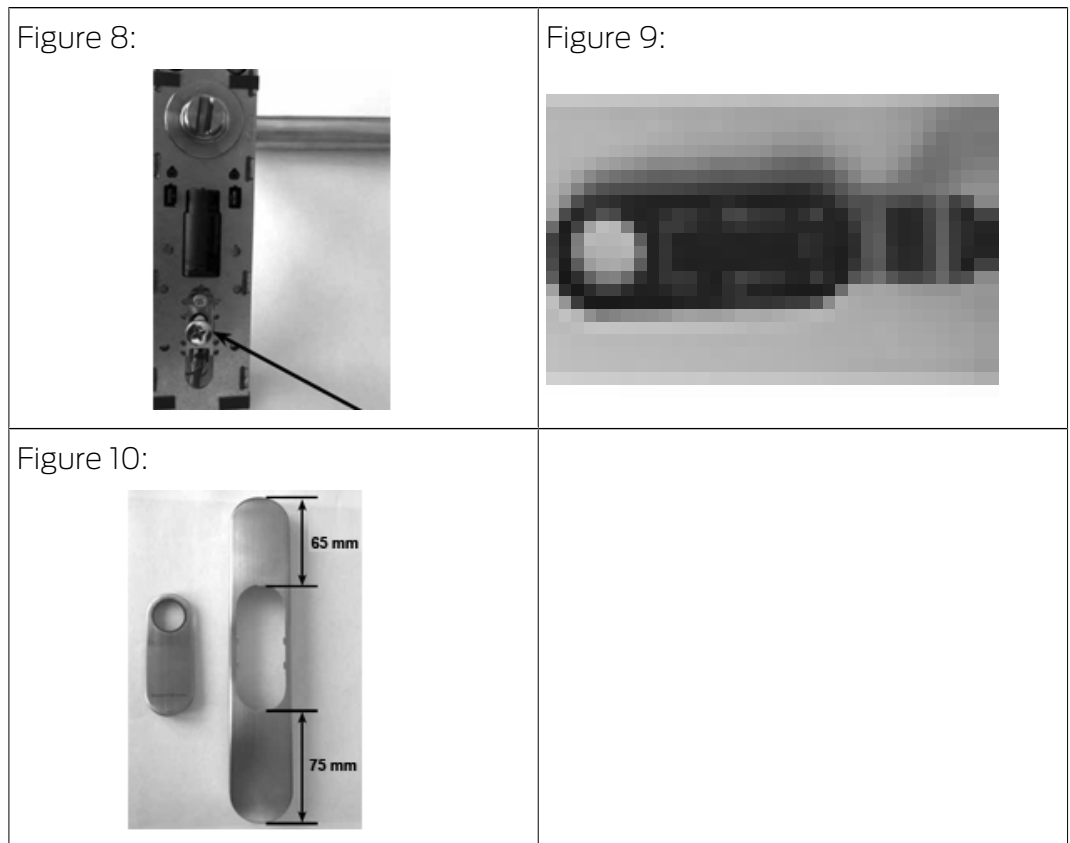
8.1.5 Snap-in WP

1. Optional: handles, escutcheons, fittings and other door furniture fitted to the door are to be removed.
2. Optional: Fasten mortise lock into the door
3. SmartHandle is partly assembled when delivered; see Disassembly.
4. The inlay cannot be fitted on some handles, such as offset handles, when they are already installed. Push the inlay onto the outer handle with the logo facing outwards in such cases. You can do this with most handles.
5. Push inlay (1) onto the outer handle (3).
6. Insert outer handle (3) horizontally into the outer fitting (4), placing it in the direction that you require, depending on whether it is a DIN left-hand or right-hand door.
7. Place handle fastener piece (5) into position (see Diagrams 2 and 3).
8. Hold the outside handle (3) and use the spanner to rotate the fastener piece (5) about 75° to the right until it fits into position (Diagrams 4 and 5). If you do not fit it correctly, the handle may come loose again.
9. Optional: In a lock with an 8.5 mm or 10 mm spindle, push the corresponding sleeve (8 mm --> 8.5 mm [not included in the supply package] or 8 mm --> 10 mm) through the retainer opening in the mortise lock from the inside. The 8.5 mm sleeve is not included in the supplied package.
10. Push the cable from the outer fitting through the profile cylinder/Swiss Round/British Oval opening in the mortise lock (6) from the outer side.
11. Then insert the inside fitting (8) by pushing the spindle through the retainer slot at the same time. Also push the snap-in mechanism through the cylinder opening in the mortise lock (6) and through the door, so that it is flush with the door. Ensure you do not catch or buckle the cable while doing so.
12. Then push the outer fitting (4) spindle slot onto the inside fitting spindle while pushing the snap-in mechanism (7) on the outside fitting into the snap-mechanism (7) on the inside fitting, so that the fitting is flush with the door.
13. Press outer and inside fittings together, so that they are both flush against the door.

14. Check that the outer handle (3) can turn easily; if it does not, there may be a problem with the mortise lock (6) or the handle may have been fitted incorrectly. In case of doubt, disassemble components and start again from Step 7.
15. Push mounting screw (9) through the snap-in mechanism (7) from the inner side of the door and tighten by hand, using about 5–7 Nm (see diagram).
16. Connect the 2-pole cable from the outer fitting to the 2-pole cable from the inside fitting. This cable can only be inserted in one direction. Do not pull on the cables while doing so; just carefully secure the plug-in connection into position.
17. The 2-pole cable from the inside fitting can hang freely, but must not get caught or buckled during installation. Do not pull on the cable. The second cable is optionally used to connect the WaveNet circuit board.
18. Optional: Connect the 2-pole cable from the LockNode to the 2-pole cable from the inside fitting.
19. Push inlay (13) onto the inside handle (10). Depending on the handle model, it may not be possible to fit it once the handle is installed.
20. Push inside handle (10) onto the inner fitting (8) fastening flange until it will go no further.
21. Tighten the hexagon screw (11) on the inside handle (10) firmly by hand, using about 5–7 Nm.
22. Push the cover (12) over the inside handle (10).
23. Carefully push the inlay (13) through the opening in the inside cover (12).
24. Push cover (12) over the inside fitting (8), so that it is flush against the door. The cover is not symmetric, so please observe markings to place in correct position (Diagram 10).
25. Click the inlay (13) carefully into the cover (12).
26. Push the cover (2) over the outside handle (3).
27. Carefully push the inlay (1) through the opening in the outside cover (2).
28. Push cover (2) over the inside fitting (4), so that it is flush against the door. The cover is not symmetric, so please observe markings to place in correct position (Diagram: Step 10).
29. Click the inlay (1) carefully into the cover (2).

8.1.6 Snap-in diagrams





Tab. 1: Diagrams showing installation

8.1.7 Restore storage mode for Snap-in

1. Disconnect the 3-pole cable from the inside fitting to the 3-pole cable from the outer fitting. If necessary, also disconnect the LockNode cable from the inside fitting.
2. Undo mounting screw (9) in the inside fitting (8) about 1 cm.
3. Use a soft object to knock on the mounting screw (9) to release the tension in the snap-in mechanism (7).
4. Undo mounting screw (9) fully.
5. Hold the inside and outer fittings firmly while carefully pulling them away from one another horizontally.

Fitted to the door:



NOTE

General instructions: Depending on the handle model, it may not be possible to remove the inlay immediately. In such a case, push the inlay through the opening in the cover and remove the cover. The inlay remains on the handle and cannot be removed until the handle is dismantled.

Follow the same steps as for installation but in reverse order.

8.2 Snap-in DoorMonitoring

8.2.1 Contents of packaging

- 2 x inlays
- 2 x covers
- 1 x outer fitting
- 1 x inside fitting
- 1 x outer handle (including lock ring)
- 1 x inside handle (including hexagon screw)
- 1 x mounting screw
- 1 x fire retardant inlay (in versions for fire retardant doors only)
- 1 x installation tool for inlay
- 1 x fastening screw sensor
- 1 x bolt sensor
- 1 x Installation tool for bolt sensor
- 1 x Installation tool for four-wire cable
- 1x extension cable (2-pole) (*2x for L version for doors over than 79 mm thickness*)
- 1 x quick start guide

8.2.2 Tools required

The following tools are required for installation are not included in the delivery:

- Allen key (3 mm) to fit handle.
- Cross-tip screwdriver type PH2 to fit mounting screw (battery-operated screwdriver recommended).
- 19 mm spanner for installing the handle fastener piece.

8.2.3 Installation instructions SnapIn

- Batteries are already installed when the product is delivered!
- When installing the electronic SmartHandle 3062, ensure that there are no sources of low-frequency interference in the surrounding area.
- SmartHandle 3062 must be fitted, so that it is flush with the door. You must install the product as specified to ensure that it is structurally stable and will have a long service life.
- You must not strike parts of SmartHandle 3062 during installation.

- ❑ The two inlays in the cover are locked into position with a clip mechanism. These may only be removed using the SimonsVoss installation tool.
- ❑ In the case of fire retardant doors, you must ensure that the supplied profile cylinder inlay is pressed against the snap-in mechanism in the inside fitting.
- ❑ No water or moisture must penetrate the door or reach the inner side. Always use the WP version for moisture.
- ❑ Programme SmartHandle 3062 before installing.
- ❑ SmartHandle 3062 may be difficult to fit in mortise locks with a retaining nut. You must not alter the retaining nut in any way, using a file, for example; otherwise, the handle's guide piece will no longer fit accurately.
- ❑ When installing SmartHandle, you must ensure that the cable does not get caught or fitted too tightly to the door.

8.2.4 Assembly Snap-In Door Monitoring

These installation instructions are designed for a standard door with a self-locking panic lock (SLP lock) already fitted. Old fittings must be fully removed before SmartHandle 3062 SmartHandle is installed.

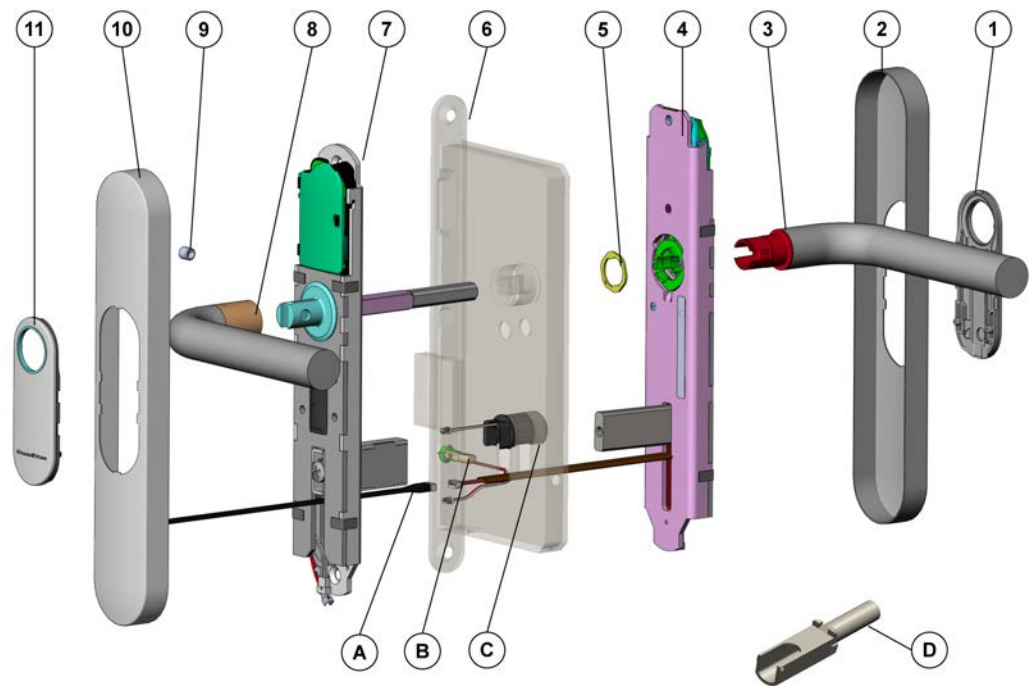


NOTE

To ensure full functionality, SmartHandle must always be used in combination with a self-locking panic lock (SLP lock). Please observe conformity declarations of lock manufacturers in accordance with EN 179!

All steps must be completed in order after one another to ensure correct installation.

8.2.4.1 Components



SmartHandle components (SnapIn)

1	Inlay
2	Outer cover
3	Outside handle
4	Outer fitting
5	Handle fastener piece
6	Lock (not included)
7	Inside fitting
8	Inside handle
9	Headless screw for inside handle
10	Inside cover
11	Inlay

Door Monitoring components (SnapIn)

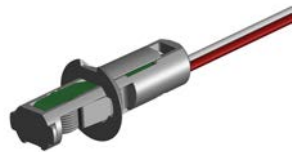
A	Installation tool for cable
B	Fastening screw sensor
C	Bolt sensor
D	Installation tool for bolt sensor

8.2.4.2 Step 1: Installing the fastening screw sensor

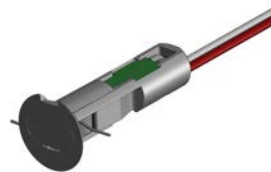
**NOTE**

The fastening screw sensor may not be in locked final position during installation. The fastening screw sensor must be in the displayed "INSTALLATION" position; otherwise ("LOCKED") the outer ring must be pushed back carefully so that the spring mechanism is tensioned.

INSTALLATION



LOCKED

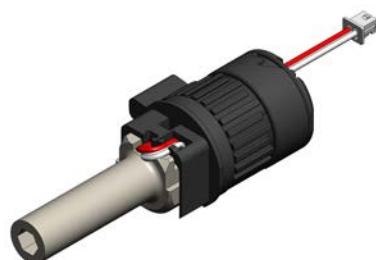


1. Insert the end of the fastening screw sensor cable (B) (with plug) into the sensor screw drill hole.
2. Use a suitable tool (e.g. tweezers) to guide the plug out of the profile cylinder opening on the inner side.
3. Insert fastening screw sensor into the sensor screw hole until it will go no further.
 - ↳ A spring mechanism holds the fastening screw sensor in place in the door lock.

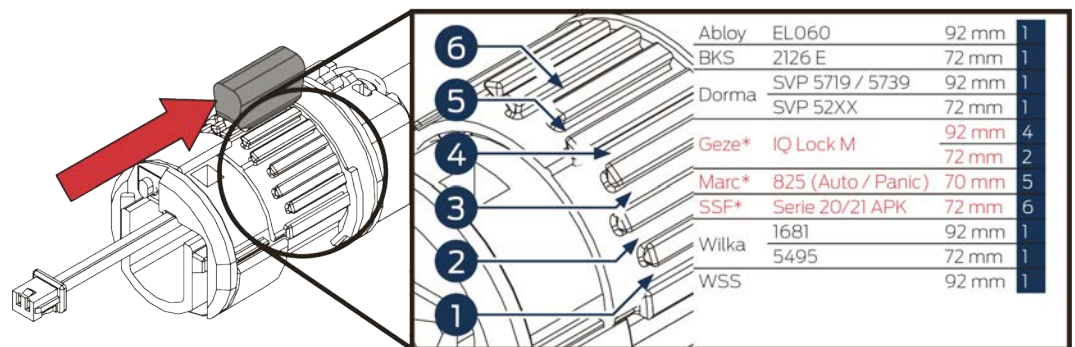
8.2.4.3 Step 2: Bolt sensor installation

Preparing the bolt sensor

The bolt sensor (C) must be attached to the installation tool (D) as shown in the following image in preparation for installation:



The bolt sensor cone may need to be moved, depending on the door lock used. In most cases, the cone can remain in the pre-set "Position 1".



Follow the steps below to move the cone:



1. Ensure that the bolt sensor (C) is placed firmly on the installation tool (D).
2. Simply release the outer ring segment from point X (see image above) by turning in the direction of the arrow.
3. Move the cone parallel to the axial direction to release it.
4. Pull the cone into the required position.
 - ↳ You will find the correct position online at www.simons-voss.com.
 - ↳ Each bar corresponds to a position. The first bar corresponds to the non-approved zero position. The image shows the cone at Position 1.
5. Turn the ring segment back to its original position until you hear it snap back into position.

Determining the direction of installation

- ❑ The door lock must be in the unbolted position when it is installed.
- ❑ The square opening in the bolt sensor must always point to the right towards the door hinges when the bolt sensor is fitted. This determines whether the bolt sensor needs to be fitted from the inner or outer side of the door.

Fitting the bolt sensor from the inner side

1. Carefully release cable from the bolt sensor (C) cable duct to guide the plug out onto the inner side.

2. Push the bolt sensor into the profile cylinder opening via the installation tool (D) until it stops.
 - ↳ The square opening in the bolt sensor must always point to the right towards the door hinges.
3. Rotate bolt sensor 90°, so that the bolt sensor opening points downwards.
4. Pull the installation tool to remove.
 - ↳ The bolt sensor remains in the lock. The rectangular opening in the bolt sensor faces downwards.

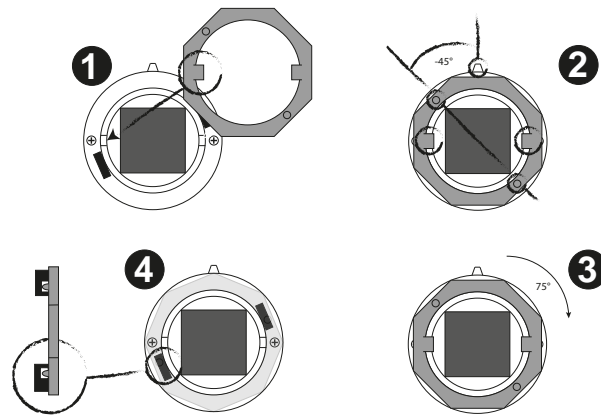
Fitting the bolt sensor from the outer side

1. Push the bolt sensor (C) into the profile cylinder opening via the installation tool (D) until it stops.
 - ↳ The square opening in the bolt sensor must always point to the right towards the door hinges.
2. Rotate bolt sensor 90°, so that the bolt sensor opening points downwards.
3. Pull the installation tool to remove.
 - ↳ The bolt sensor remains in the lock. The rectangular opening in the bolt sensor faces downwards.

8.2.4.4 Step 3: Preparing to install the outer fitting

1. Place outer cover (2) loosely onto the outer fitting (4). Notice that the outer cover can only be placed onto the fitting in one direction.
 - ↳ The outer cover is positioned flush on the outer fitting but without fastening it.
2. Push inlay (1) onto the outer handle (3) from the short side. Ensure that the black side of the inlay is turned towards the door.
3. Insert outer fitting horizontally into the outer fitting in the direction that you require (DIN left or DIN right).
 - ↳ The outer handle is placed in the outer fitting without being fastened.

4. Position handle fastener piece (5) on the side which will later face the door, as in the diagram below, and fasten with a spanner in a clockwise direction (about 75° until you feel resistance).



- ↳ The outer handle is now firmly attached to the outer fitting and cannot be removed from the outside when in use.
5. Check the handle mechanism to ensure it opens easily.
 - ↳ The outer handle must return to its home position of its own accord. Repeat the procedure described in this section if the outer handle should catch and not open correctly.



NOTE

For easier installation, the cover can also be pushed over the inlay later in chapter "*Step 6: Fastening the covers [▶ 56]*".

8.2.4.5 Step 4: Installation of fittings

1. Position installation tool through the profile cylinder opening in the door lock, so that the plug remains on the outer side.
2. Push the inside fitting spindle through the retainer slot in the door's mortise lock, so that the fitting is flush with the door.
3. Cables for fastening screw and bolt buttons and the installation tool must be fed through the snap-in mechanism to the inner side.
 - ↳ The inside fitting is now firmly placed flat against the door. The cables and installation tool run downwards on the inside of the door. *If a two-wire cable should be too short, a extension/adapter cable can be used.*
4. Use the installation tool to connect four-wire cables from the outer fitting.

5. Push plug out horizontally, directly beneath the snap-in mechanism, and to the inner side. The outer fitting must be joined together with the inside fitting at the same time by inserting the outer fitting bolt into the inner fitting's snap-in shaft.

**NOTE**

Ensure that no cabling gets caught or broken.

6. Screw inside fitting together with the outer fitting from the inside. Ensure that the fitting is positioned in parallel to the door.
 - ↳ Inside and outer fitting are now firmly joined together flat against the door.
7. Connect cables. The two two-pole cables and the four-pole cable are to be properly connected to one another. *The two-pole cables can be connected to one another as desired.*
8. Lay cables in such a way that the cover can be easily fitted. Make sure that you do not crush the cables.

8.2.4.6 Step 5: Installing the inside handle

1. Position the internal cover (10) on the internal fitting without fastening it. Notice that the cover can only be placed onto the fitting in one direction.
 - ↳ The cover is positioned flush on the internal fitting but without fastening it.
2. Push inlay (11) onto the internal handle retainer. Ensure that the black side of the inlay is turned towards the door.
3. Insert inside handle horizontally into the outer fitting in the desired direction (DIN left or DIN right).
 - ↳ The internal handle is placed in the internal fitting without being fastened.
4. Tighten the headless screw to fasten internal handle.
 - ↳ The inner door handle is now firmly linked to the SmartHandle.
5. Check the handle mechanism to ensure it opens easily.
 - ↳ Repeat the procedure described in this section if the outer should catch or jam.

**NOTE**

For easier installation, the cover can usually also be slid over the inlay later in chapter "*Step 6: Fastening the covers* [[▶ 56](#)]".

8.2.4.7 Step 6: Fastening the covers

Outer and inside covers are mounted in the same way:

1. Carefully press cover onto the door. Ensure that the cover is positioned flat against the door without a gap and no cables are outside the cover.
2. Click inlay carefully into the outer cover, which is still pressed against the door.

8.3 Conventional fastening

8.3.1 Contents of packaging

- 2 x inlays
- 2 x covers
- 1 x outer fitting
- 1 x inside fitting
- 1 x handle for outer fitting, including lock ring
- 1 x handle for inside fitting (including hexagon screw)
- 2 x fastening screws
- 2 x spacing bolts
- 1 x quick start guide
- 1 x installation tool for inlay

8.3.2 Tools required

The following tools are required for installing SmartHandle 3062 and are not included in the supplied package:

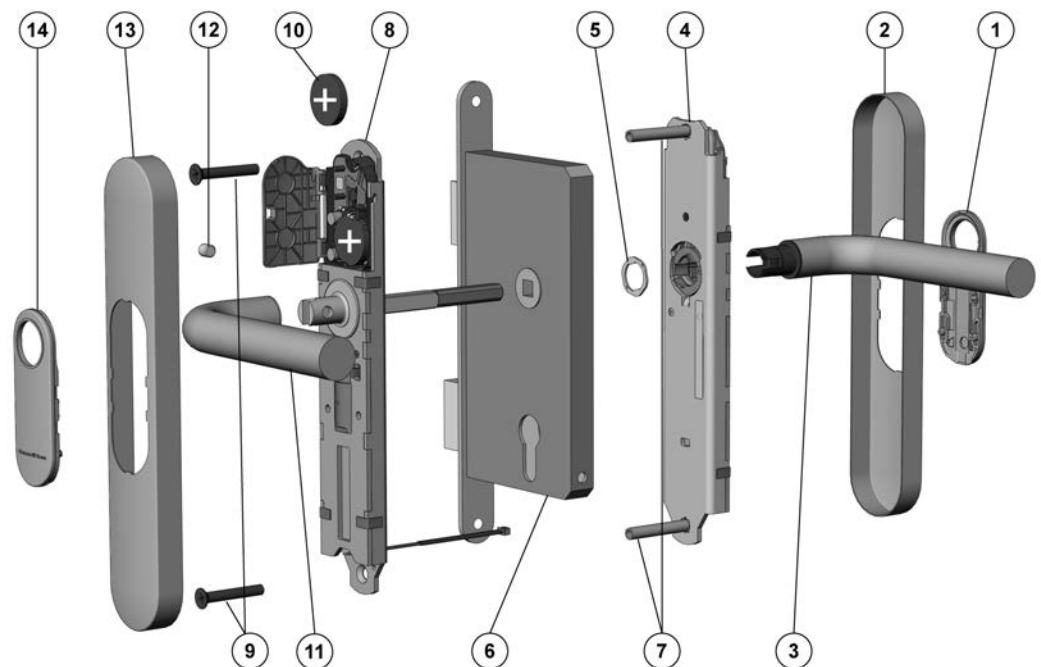
- Allen key (3 mm) to fit handle
- Spanner (19 mm)
- Cross-tip screwdriver type PH2 (battery screwdriver recommended)
- Drill
- Drill bit (8 mm)

8.3.3 Installation instructions

- Batteries are already installed when the product is delivered!
- When installing the electronic SmartHandle 3062, ensure that there are no sources of low-frequency interference in the surrounding area.
- SmartHandle 3062 must be fitted, so that it is flush with the door. You must install the product as specified to ensure that it is structurally stable and will have a long service life.

- You must not strike parts of SmartHandle 3062 during installation.
- The two inlays in the cover are locked into position with a clip mechanism. These may only be removed using the SimonsVoss installation tool.
- No water or moisture must penetrate the door or reach the inner side. Always use the WP version for moisture.
- Programme SmartHandle 3062 before installing.
- SmartHandle 3062 may be difficult to fit in mortise locks with a retaining nut. You must not alter the retaining nut in any way, using a file, for example; otherwise, the handle's guide piece will no longer fit accurately.
- When installing SmartHandle, you must ensure that the cable does not get caught or fitted too tightly to the door.
- Conventional fastening system: When fitting the handle into position on the door with the two screws, make sure that the electronics are not subject to mechanical load and are not damaged in any other way.

8.3.4 Conventional fastening system



Key:

1. Inlay
2. Inlay
3. Outside handle

4. Outer fitting
5. Lock ring
6. Door lock (not included in the scope of supply)
7. Spacing bolt
8. Inside fitting
9. Screws
10. Upper battery
11. Inside handle
12. Inside hexagon screw
13. Inlay
14. Inlay

Installation:

1. Optional: Disassemble handles / escutcheons / fittings, etc. that are mounted to the door.
2. SmartHandle is partly assembled when supplied; see "Disassembly".
3. The inlay cannot be fitted on some handles, such as offset handles, when they are already installed. Push the inlay onto the outer handle with the logo facing outwards in such cases. You can generally do this with most handles.
4. Optional: In a lock with an 8.5 mm or 10 mm spindle, push the corresponding sleeve (8 mm --> 8.5 mm [not included in the supply package] or 8 mm --> 10 mm) through the retainer opening in the mortise lock from the inside.
5. Push the inside fitting spindle through the retainer slot in the door's mortise lock (6), so that the fitting is flush with the door. Ensure that you do not squash the 3-pole cable when doing so.
6. Position the inside fitting (8) in such a way that it is parallel to the door.
7. Mark the drill holes required on the door through the corresponding holes in the inside fitting (8).
8. Remove inside fitting (8) from the door.
9. Drill the 2 holes with a diameter of 8 mm through the door.
10. Push inlay (1) onto the outer handle (3). Depending on the handle model, it may not be possible to fit it once the handle is installed.
11. Insert outer handle (3) horizontally into the outer fitting (4), placing it in the direction that you require, depending on whether it is a DIN left-hand or DIN right-hand door.
12. Place handle fastener piece (5) into position (see Figures 2 and 3).

13. Hold the outside handle (3) and use the spanner to rotate the fastener piece (5) about 75° to the right until it fits into position (Figures 4 and 5). If you do not fit it correctly, the handle may come loose again.
14. The inside fitting (8) is mounted onto the inner surface of the door. Push the inside fitting spindle through the retainer slot in the mortise lock (6) and push the inside fitting (8) onto the door until it is about 1 cm away.
15. Push the inside fitting's 3-pole cable through the locking cylinder opening in the mortise lock.
16. Push the inside fitting (8) until it is flush with the door.
17. The outer fitting (4) is mounted from the outer side of the door.
18. Insert the lower spacing bolt (7) into the outer fitting (4); the upper spacing bolt (7) is pre-fastened into position in the factory.
19. Push the outer fitting retainer slot onto the spindle while pushing the two spacing bolts (7) through the drill holes in the door at the same time. In doing so, ensure that the cable from the inside fitting does not get caught.
20. Connect the 3-pole cable from the inside fitting to the 3-pole cable from the outer fitting. This cable can only be inserted in one direction. Do not pull on the cables while doing so; just carefully secure the plug-in connection into position.
21. The 2-pole cable from the outer fitting can hang freely, but must not get caught when the outer cover (2) is fitted. Do not pull on the cable.
22. Press outer and inside fittings together, so that they are both flush against the door.
23. Press the electronics module cover lid in the inside fitting carefully out of its bracket and fold back horizontally. Make sure that the electronics are not subject to mechanical load and are not damaged in any other way.
24. Carefully remove the upper battery (10) from the holder. Use clean gloves free of fat or grease to handle batteries.
25. Insert the supplied screws (9) through drill holes in the inside fitting (8) from inside the door and fasten to the spacing bolts (7) on the outer fitting by hand, using about 5-7 Nm.
26. Insert the upper battery (10) with the positive terminals facing away from the door into the brackets; in doing so, insert the batteries under the black retaining collar first. Use clean gloves free of fat or grease to handle batteries.
27. Lock the electronics cover lid back into place.

28. Check that the outer handle (3) can turn easily; if it does not, there may be a problem with the mortise lock (6) or the handle may have been fitted incorrectly. In case of doubt, disassemble components and start again from Step 10.
29. Push inlay (14) onto the inside handle (11). Depending on the handle model, it may not be possible to fit it once the handle is installed.
30. Push inside handle (11) onto the inner fitting (8) fastening flange until it will go no further.
31. Fasten the inside handle hexagon screw (12) firmly by hand.
32. Push the cover (13) over the inside handle (11).
33. Carefully push the inlay (14) through the opening in the inside cover (13).
34. Push the cover (13) onto the inside fitting (8), so that it is flush with the door. The cover is not symmetrical; look carefully at the marking to ensure correct positioning (Diagram 7).
35. Click the inlay (14) carefully into the cover (13).
36. Push the cover (2) over the outside handle (3).
37. Carefully push the inlay (1) through the opening in the outside cover (2).
38. Push the cover (2) onto the outer fitting (4), so that it is flush with the door. The cover is not symmetrical; look carefully at the marking to ensure correct positioning (Diagram 7).
39. Click the inlay (1) carefully into the cover (2).

8.3.5 Conventional fastening system WP





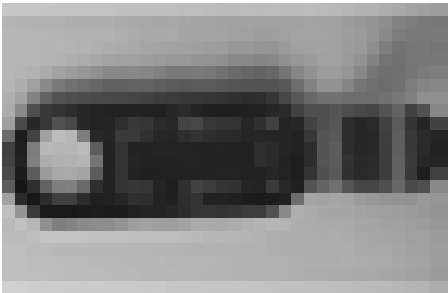
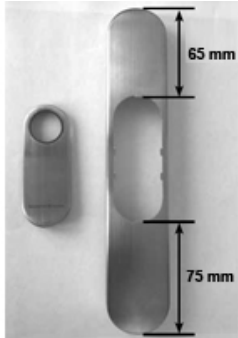
Installation:

1. Optional: Disassemble handles / escutcheons / fittings, etc. that are mounted to the door.
2. SmartHandle is partly assembled when supplied; see "Disassembly".
3. The inlay cannot be fitted on some handles, such as offset handles, when they are already installed. Push the inlay onto the outer handle with the logo facing outwards in such cases. You can do this with most handles.
4. Optional: In a lock with an 8.5 mm or 10 mm spindle, push the corresponding sleeve (8 mm --> 8.5 mm [not included in the supply package] or 8 mm --> 10 mm) through the retainer opening in the mortise lock from the inside.
5. Push the inside fitting (8) spindle through the retainer slot in the door's mortise lock (6), so that the fitting is flush with the door.
6. Position the inside fitting (8) in such a way that it is parallel to the door.

7. Mark the drill holes required on the door through the corresponding holes in the inside fitting (8).
8. Remove inside fitting (8) from the door.
9. Drill the 2 holes with a diameter of 8 mm through the door.
10. Push inlay (1) onto the outer handle (3). Depending on the handle model, it may not be possible to fit it once the handle is installed.
11. Insert outer handle (3) horizontally into the outer fitting (4), placing it in the direction that you require, depending on whether it is a DIN left-hand or DIN right-hand door.
12. Place handle fastener piece (5) into position (see Figures 2 and 3).
13. Hold the outside handle (3) and use the spanner to rotate the fastener piece (5) about 75° to the right until it fits into position (Figures 4 and 5). If you do not fit it correctly, the handle may come loose again.
14. The inside fitting (8) is mounted onto the inner surface of the door. Push the inside fitting spindle through the retainer slot in the mortise lock (6) and push the inside fitting (8) onto the door until it is flush with the door.
15. Insert the lower spacing bolt (7) into the outer fitting (4); the upper spacing bolt (7) is pre-fastened into position in the factory.
16. Push the cable for the outer fitting through the profile cylinder/Swiss Round/British Oval opening in the mortise lock (6) and ensure that it doesn't get caught or buckled.
17. Push the outer fitting retainer slot onto the spindle while pushing the two spacing bolts (7) through the drill holes in the door at the same time. In doing so, ensure that the inside fitting cable does not get caught or buckled.
18. Connect the 3-pole cable from the outer fitting to the 3-pole cable from the inside fitting. This cable can only be inserted in one direction. Do not pull on the cables while doing so; just carefully secure the plug-in connection into position.
19. The 2-pole cable from the inside fitting can hang freely, but must not get caught or buckled when the inside cover is fitted. Do not pull on the cable. The second cable is optionally used to connect the LockNode circuit board.
20. Press outer and inside fittings together, so that they are both flush against the door.
21. Press the electronics module cover lid in the inside fitting (8) carefully out of its bracket and fold back horizontally. Make sure that the electronics are not subject to mechanical load and are not damaged in any other way.
22. Carefully remove the upper battery (10) from the holder. Use clean gloves free of fat or grease to handle batteries.

23. Insert the supplied screws (9) through drill holes in the inside fitting (8) from inside the door and fasten to the spacing bolts (7) on the outer fitting by hand, using about 5-7 Nm.
24. Insert the upper battery (10) with the positive terminals facing away from the door into the brackets; in doing so, insert the batteries under the black retaining collar first. Use clean gloves free of fat or grease to handle batteries.
25. Carefully lock the electronics cover lid back into place.
26. Check that the outer handle (3) can turn easily; if it does not, there may be a problem with the mortise lock (6) or the handle may have been fitted incorrectly. In case of doubt, disassemble components and start again from Step 10.
27. Push inlay (14) onto the inside handle (11). Depending on the handle model, it may not be possible to fit it once the handle is installed.
28. Push inside handle (11) onto the inner fitting (8) fastening flange until it will go no further.
29. Tighten the hexagon screw (12) on the inside handle (11) firmly by hand, using about 5-7 Nm.
30. Push the cover (13) over the inside handle (11).
31. Carefully push the inlay (14) through the opening in the inside cover (13).
32. Push the cover (13) onto the inside fitting (8), so that it is flush with the door. The cover is not symmetrical; look carefully at the marking to ensure correct positioning (Diagram 7).
33. Click the inlay (14) carefully into the cover (13).
34. Push the cover (2) over the outside handle (3).
35. Carefully push the inlay (1) through the opening in the outside cover (2).
36. Push the cover (2) onto the outer fitting (4), so that it is flush with the door. The cover is not symmetrical; look carefully at the marking to ensure correct positioning (Diagram 7).
37. Click the inlay (1) carefully into the cover (2).

8.3.6 Diagrams for conventional fastening system

<p>Figure 2: Handle fastener piece</p> 	<p>Figure 3: Handle fastener piece open</p> 
<p>Figure 4: Handle fastener piece closed</p> 	<p>Figure 5: Fastener piece - correct position for the handle fastener piece when closed</p> 
<p>Figure 6:</p> 	<p>Figure 7:</p> 

Tab. 2: Diagrams showing installation

8.3.7 Restore storage mode for conventional fastening system

1. Disconnect the 3-pole cable from the inside fitting with the 3-pole cable from the outer fitting. If necessary, also disconnect the LockNode cable from the inside fitting.
2. Hold the inside and outer fittings firmly while pulling them away from one another horizontally.

Fitted to the door:



NOTE

General instructions: Depending on the handle model, it may not be possible to remove the inlay immediately. In such a case, push the inlay through the opening in the cover and remove the cover. The inlay remains on the handle and cannot be removed until the handle is dismantled.

Follow the same steps as for installation but in reverse order.

8.4 Conventional fastening system WO

8.4.1 Contents of packaging

- 2 x inlays
- 2 x inlay
- 1 x outer fitting
- 1 x inside fitting
- 1 x handle for outer fitting, including lock ring
- 1 x handle for inside fitting (including hexagon screw)
- 2 x fastening screws
- 2 x spacing bolts
- 1 x quick start guide
- 1 x installation tool for inlay

8.4.2 Tools required

The following tools are required for installing SmartHandle 3062 and are not included in the supplied package:

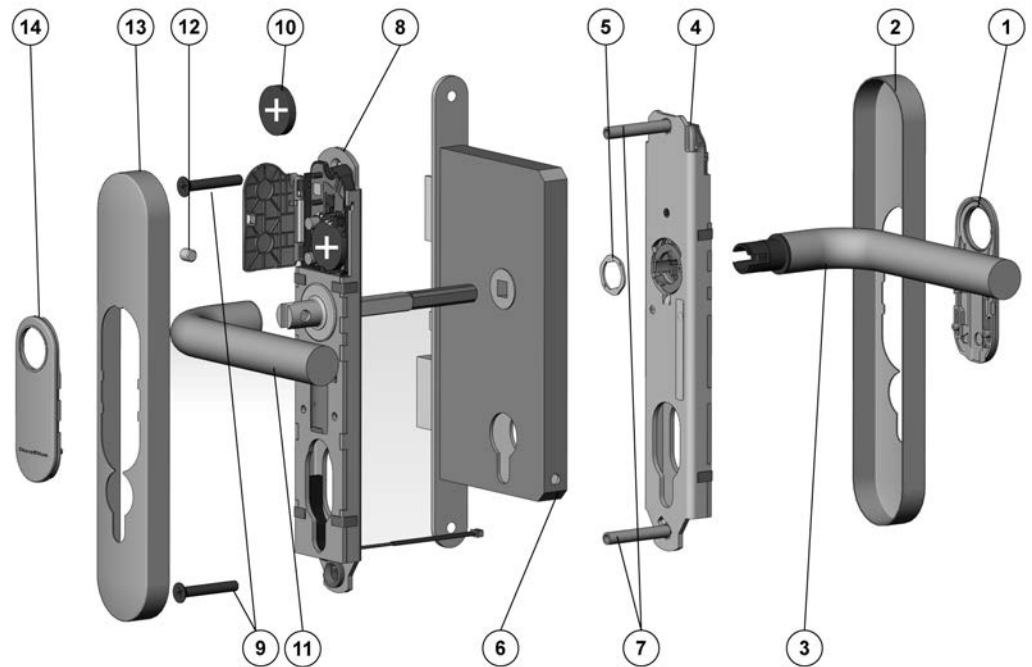
- Allen key (3 mm) to fit handle
- Spanner (19 mm)
- Cross-tip screwdriver type PH2 (battery screwdriver recommended)
- Drill
- Drill bits, 8 mm and 13 mm

8.4.3 Installation instructions MO

- Batteries are already installed when the product is delivered!
- When installing the digital SmartHandle 3062, ensure that there are no sources of (low-frequency) interference in the surrounding area.

- ❑ The SmartHandle 3062 must be fitted, so that it is flush with the door. You must install the product as specified to ensure that it is structurally stable and will have a long service life.
- ❑ You must not strike parts of the SmartHandle 3062 during installation.
- ❑ The two inlays in the cover are locked into position with a clip mechanism. These may only be removed using the SimonsVoss installation tool.
- ❑ No water or moisture must penetrate the door or reach the inner side. In case of moisture, always use the WP version.
- ❑ Programme the SmartHandle 3062 before installation!
- ❑ The SmartHandle 3062 may be difficult to fit in mortise locks with a retaining nut. You must not alter the retaining nut in any way, using a file, for example; otherwise, the handle's guide piece will no longer fit accurately.
- ❑ When installing SmartHandle, you must ensure that the cable does not get caught or fitted too tightly to the door.
- ❑ Conventional fastening system, including MO: When fitting the handle into position on the door with the two screws, make sure that the electronics are not subject to mechanical load and are not damaged in any other way.
- ❑ For MO: The mechanical cylinder is not included in the supplied package for the SmartHandle 3062 with MO.
- ❑ Always install a locking cylinder. If necessary, use a blank cylinder.

8.4.4 Conventional fastening system WO

**Key:**

1. Inlay
2. Inlay
3. Outside handle
4. Outer fitting
5. Lock ring
6. Door lock (not included in the scope of supply)
7. Spacing bolt
8. Inside fitting
9. Screws
10. Upper battery
11. Inside handle
12. Inside hexagon screw
13. Inlay
14. Inlay

Installation:

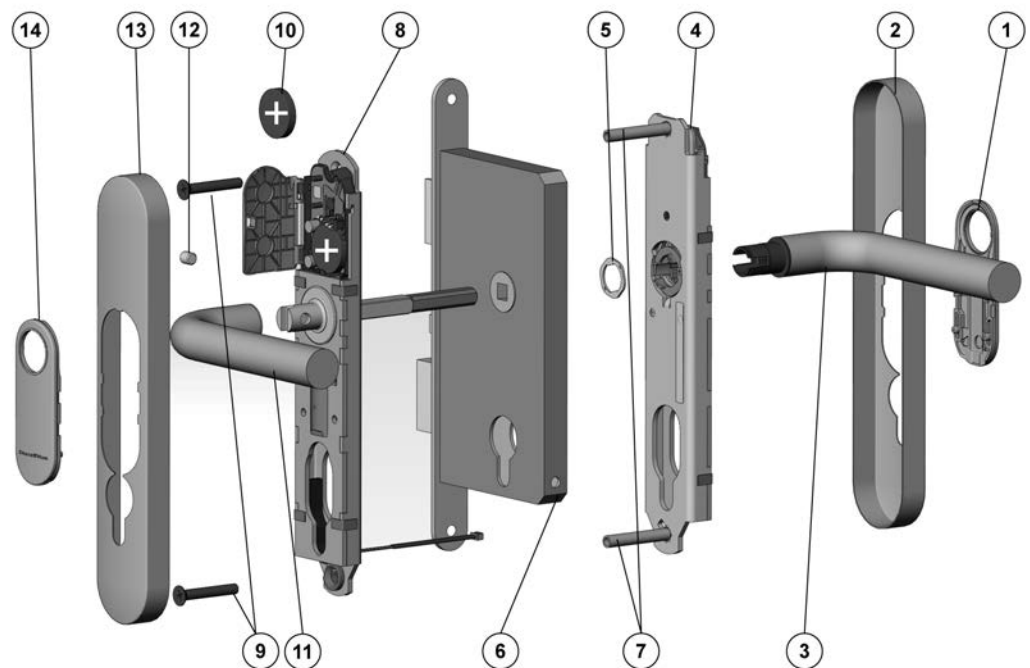
1. Optional: handles, escutcheons, fittings and other door furniture fitted to the door are to be removed.
2. SmartHandle is partly assembled when supplied; see "Disassembly".

3. The inlay cannot be fitted on some handles, such as offset handles, when they are already installed. Push the inlay onto the outer handle with the logo facing outwards in such cases. You can do this with most handles.
4. Optional: In a lock with an 8.5 mm or 10 mm spindle, push the corresponding sleeve (8 mm --> 8.5 mm [not included in the supply package] or 8 mm --> 10 mm) through the retainer opening in the mortise lock from the inside.
5. Push the inside fitting (8) spindle through the retainer slot in the door's mortise lock (6), so that the fitting is flush with the door. Ensure that you do not squash the 3-pole cable when doing so.
6. Position the inside fitting (8) in such a way that it is parallel to the door.
7. Mark the drill holes required on the door through the corresponding holes in the inside fitting (8).
8. Remove inside fitting (8) from the door.
9. Drill the holes with a diameter of 8 mm (top hole) and 13 mm (lower hole) through the door.
10. Push inlay (1) onto the outer handle (3). Depending on the handle model, it may not be possible to fit it once the handle is installed.
11. Insert outer handle (3) horizontally into the outer fitting (4), placing it in the direction that you require, depending on whether it is a DIN left-hand or right-hand door.
12. Place handle fastener piece (5) into position (see Figures 2 and 3).
13. Hold the outside handle (3) and use the spanner to rotate the fastener piece (5) about 75° to the right until it fits into position (Figures 4 and 5). If you do not fit it correctly, the handle may come loose again.
14. The inside fitting (8) is mounted onto the inner surface of the door. Push the spindle for the inside fitting (8) through the retainer slot in the mortise lock (6) and push the inside fitting (8) onto the door until it is about 5 cm away.
15. Push the 3-pole cable for the inside fitting through the lower hole (13 mm in diameter) and ensure that it doesn't get caught or buckled.
16. Push inside fitting (8) through the door completely, so that it is flush with the door. In doing so, place the cable escutcheon into the lower drill hole.
17. The outer fitting is mounted from the outer side of the door.
18. Insert the lower spacing bolt (7) into the outer fitting; the upper spacing bolt (7) is pre-fastened into position in the factory.
19. Push the outer fitting retainer slot onto the spindle while pushing the two spacing bolts (7) through the drill holes up to a gap of 2 cm.

20. Insert the 3-pole cable through the cut-out in the lower end of the outer fitting.
21. Push the outer fitting (4) onto the door completely. In doing so, ensure that the inside fitting cable does not get caught or buckled.
22. Connect the 3-pole cable from the inside fitting to the 3-pole cable from the outer fitting. This cable can only be inserted in one direction. Do not pull on the cables while doing so; just carefully secure the plug-in connection into position.
23. The 2-pole cable from the outer fitting can hang freely, but must not get caught when the outer cover (2) is fitted. Do not pull on the cable.
24. Press outer and inside fittings together, so that they are both flush against the door.
25. Press the electronics module cover lid in the inside fitting (8) carefully out of its bracket and fold back horizontally. Make sure that the electronics are not subject to mechanical load and are not damaged in any other way.
26. Carefully remove the upper battery (10) from the holder. Use clean gloves free of fat or grease to handle batteries.
27. Insert the supplied screws (9) through drill holes in the inside fitting from inside the door and fasten to the spacing bolts (7) on the outer fitting by hand, using about 5-7 Nm.
28. Insert the upper battery (10) with the positive terminals facing away from the door into the brackets; in doing so, insert the batteries under the black retaining collar first. Use clean gloves free of fat or grease to handle batteries.
29. Lock the electronics cover lid back into place.
30. Check that the outer handle (3) can turn easily; if it does not, there may be a problem with the lock (6) or the handle may have been fitted incorrectly. In case of doubt, disassemble components and start again from Step 10.
31. Push the cylinder through the designated hole in the fitting from the outside. In doing so, ensure that the cam is at the six o'clock position and that the 3-pole cable does not get caught or buckled.
32. Fasten the cylinder with the fastening screw by hand (about 5-7 Nm) (note that cylinder and fastening screw are not part of the supply).
33. Carefully push the 3-pole cable into the outer fitting.
34. Push inlay (14) onto the inside handle (11). Depending on the handle model, it may not be possible to fit it once the handle is installed. Push inside handle (11) onto the inner fitting (8) fastening flange until it will go no further.
35. Fasten the hexagon screw (12) on the inside handle (11) firmly by hand.

36. Push the cover (13) over the inside handle (11).
37. Carefully push the inlay (14) through the opening in the inside cover (13).
38. Push the cover (13) onto the inside fitting (8), so that it is flush with the door. The cover is not symmetrical; look carefully at the marking to ensure correct positioning (Diagram 7).
39. Click the inlay (14) carefully into the cover (13).
40. Push the cover (1) over the outside handle (3).
41. Carefully push the inlay (1) through the opening in the outside cover (2).
42. Push the cover (2) onto the outer fitting (4), so that it is flush with the door. The cover is not symmetrical; look carefully at the marking to ensure correct positioning (Diagram 7).
43. Click the inlay (1) carefully into the cover (2).

8.4.5 Conventional fastening system MO WP



Installation:

1. Optional: handles, escutcheons, fittings and other door furniture fitted to the door are to be removed.
2. SmartHandle is partly assembled when supplied; see "Disassembly".
3. Optional: In a lock with an 8.5 mm or 10 mm spindle, push the corresponding sleeve (8 mm --> 8.5 mm [not included in the supply package] or 8 mm --> 10 mm) through the retainer opening in the mortise lock from the inside.





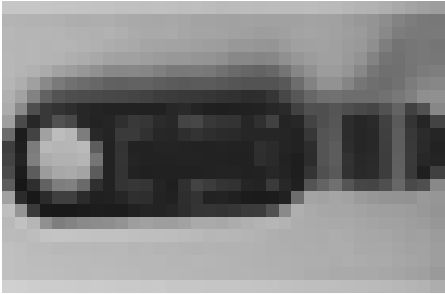
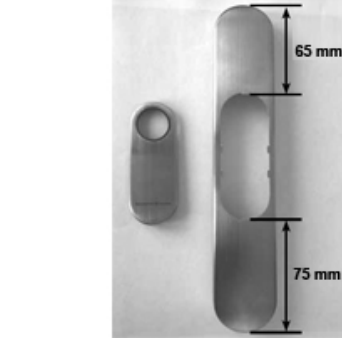
4. Push the inside fitting spindle through the retainer slot in the door's mortise lock (6), so that the fitting is flush with the door. Ensure that you do not squash the 2-pole cable when doing so.
5. Position the inside fitting (8) in such a way that it is parallel to the door.
6. Mark the drill holes required on the door through the corresponding holes in the inside fitting (8).
7. Remove inside fitting (8) from the door.
8. Drill the holes with a diameter of 8 mm (top hole) and 13 mm (lower hole) through the door.
9. Push inlay (1) onto the outer handle (3). Depending on the handle model, it may not be possible to fit it once the handle is installed.
10. Insert outer handle (3) horizontally into the outer fitting (4), placing it in the direction that you require, depending on whether it is a DIN left-hand or right-hand door.
11. Place handle fastener piece (5) into position (see Figures 2 and 3).
12. Hold the outside handle (3) and use the spanner to rotate the fastener piece (5) about 75° to the right until it fits into position (Figures 4 and 5). If you do not fit it correctly, the handle may come loose again.
13. The inside fitting (8) is mounted onto the inner surface of the door. Push the inside fitting spindle through the retainer slot in the mortise lock (6) and push the inside fitting (8) onto the door until it is about 5 cm away.
14. Insert the lower spacing bolt (7) into the outer fitting (4); the upper spacing bolt (7) is pre-fastened into position in the factory.
15. Push the cable from the outer fitting through the lower hole (13 mm in diameter) and through the opening in the cable escutcheon. Ensure you do not catch or buckle the cable while doing so.
16. Push the outer fitting retainer slot onto the spindle and push the two spacing bolts (7) through the drill holes in the door while pulling the outer fitting cable towards the inside in such a way that it is always taut. In doing so, ensure that the outer fitting cable does not get caught or buckled (Diagram 6).
17. Connect the 2-pole cable from the outer fitting to the 3-pole cable from the inside fitting. This cable can only be inserted in one direction. Do not pull on the cables while doing so; just carefully secure the plug-in connection into position.
18. The second 2-pole cable from the inside fitting can hang freely, but must not get caught or buckled when the inside cover (13) is fitted. Do not pull on the cable. The second cable is optionally used to connect the LockNode circuit board.
19. Press outer and inside fittings together, so that they are both flush against the door.

20. Press the electronics module cover lid in the inside fitting carefully out of its bracket and fold back horizontally. Make sure that the electronics are not subject to mechanical load and are not damaged in any other way.
21. Carefully remove the upper battery (10) from the holder. Use clean gloves free of fat or grease to handle batteries.
22. Insert the supplied screws (9) through drill holes in the inside fitting (8) from inside the door and fasten to the spacing bolts (7) on the outer fitting by hand, using about 5-7 Nm. Ensure that you do not squash the 2-pole cable when doing so.
23. Insert the upper battery (10) with the positive terminals facing away from the door into the brackets; in doing so, insert the batteries under the black retaining collar first. Use clean gloves free of fat or grease to handle batteries.
24. Carefully lock the electronics cover lid back into place.
25. Check that the outer handle (3) can turn easily; if it does not, there may be a problem with the mortise lock (6) or the handle may have been fitted incorrectly. In case of doubt, disassemble components and start again from Step 10.
26. Push inside handle (11) onto the inner fitting (8) fastening flange until it will go no further.
27. Tighten the hexagon screw (12) on the inside handle (11) firmly by hand, using about 5-7 Nm.
28. Push the cylinder through the designated hole in the fitting from the outside. In doing so, ensure that the cam is at the six o'clock position and that the 3-pole cable does not get caught or buckled.
29. Fasten the cylinder with the fastening screw by hand (about 5-7 Nm) (note that cylinder and fastening screw are not part of the supply).
30. Push inlay (14) onto the inside handle (11). Depending on the handle model, it may not be possible to fit it once the handle is installed.
31. Push the cover (13) over the inside handle (11).
32. Carefully push the inlay (14) through the opening in the inside cover (13).
33. Push the cover (13) onto the inside fitting (8), so that it is flush with the door. The cover is not symmetrical; look carefully at the marking to ensure correct positioning (Diagram 7).
34. Click the inlay (14) carefully into the cover (13).
35. Push the cover (2) over the outside handle (3).
36. Carefully push the inlay (1) through the opening in the outside cover (2).

37. Push the cover (2) onto the outer fitting (2), so that it is flush with the door. The cover is not symmetrical; look carefully at the marking to ensure correct positioning (Diagram 7).

38. Click the inlay (1) carefully into the cover (2).

8.4.6 Diagrams for conventional fastening system

<p>Figure 2: Handle fastener piece</p> 	<p>Figure 3: Handle fastener piece open</p> 
<p>Figure 4: Handle fastener piece closed</p> 	<p>Figure 5: Fastener piece - correct position for the handle fastener piece when closed</p> 
<p>Figure 6:</p> 	<p>Figure 7:</p> 

Tab. 3: Diagrams showing installation

8.4.7 Restore storage mode for conventional fastening system MO

1. Disconnect the 3-pole cable from the inside fitting with the 3-pole cable from the outer fitting. If necessary, also disconnect the LockNode cable from the inside fitting.
2. Hold the inside and outer fittings firmly while pulling them away from one another horizontally.

Fitted to the door:



NOTE

General instructions: Depending on the handle model, it may not be possible to remove the inlay immediately. In such a case, push the inlay through the opening in the cover and remove the cover. The inlay remains on the handle and cannot be removed until the handle is dismantled.

Follow the same steps as for installation but in reverse order.

8.5 Conventional fastening ES1/SKG/PAS24

8.5.1 Contents of packaging

- 2 x inlays
- 2 x covers
- 1 x outer fitting
- 1 x inside fitting
- 1 x outer handle (including lock ring)
- 1 x inside handle (including hexagon screw)
- 3 x sleeves
- 3x fastening screws "long"
- 1 x adapter plate for inside fitting
- 1 x adapter plate for outer fitting
- 1 x spacer plate for outer fitting
- 6 x fastening screws "short"
- 1 x quick start guide
- 1 x installation tool for inlay
- 1 x Installation tool for four-wire cable
- 1 x drilling template

8.5.2 Tools required

The following tools are required for installation and are not included in the supplied package:

- Allen key (3 mm) to fit handle.
- Cross-tIPscrewdriver type PH2 to fit mounting screw (battery screwdriver recommended).
- 19 mm spanner for installing the handle fastener piece.
- Drill
- 8 mm drill bit
- Sharp object (for example pin needle)

8.5.3 Installation instructions

- Batteries are already installed when the product is delivered!
- When installing the electronic SmartHandle 3062, ensure that there are no sources of low-frequency interference in the surrounding area.
- SmartHandle 3062 must be fitted, so that it is flush with the door. You must install the product as specified to ensure that it is structurally stable and will have a long service life.
- You must not strike parts of SmartHandle 3062 during installation.
- The two inlays in the cover are locked into position with a clip mechanism. These may only be removed using the SimonsVoss installation tool.
- No water or moisture must penetrate the door or reach the inner side. Always use the WP version for moisture.
- Programme SmartHandle 3062 before installing.
- SmartHandle 3062 may be difficult to fit in mortise locks with a retaining nut. You must not alter the retaining nut in any way, using a file, for example; otherwise, the handle's guide piece will no longer fit accurately.
- When installing SmartHandle, you must ensure that the cable does not get caught or fitted too tightly to the door.
- Conventional fastening system: When fitting the handle into position on the door with the two screws, make sure that the electronics are not subject to mechanical load and are not damaged in any other way.

8.5.4 Assembly ES1-/SKG-/PAS24 SmartHandle

These installation instructions are designed for a standard door with a Euro Profile cylinder door lock already fitted. Old fittings must be fully removed before SmartHandle 3062 SmartHandle is installed.

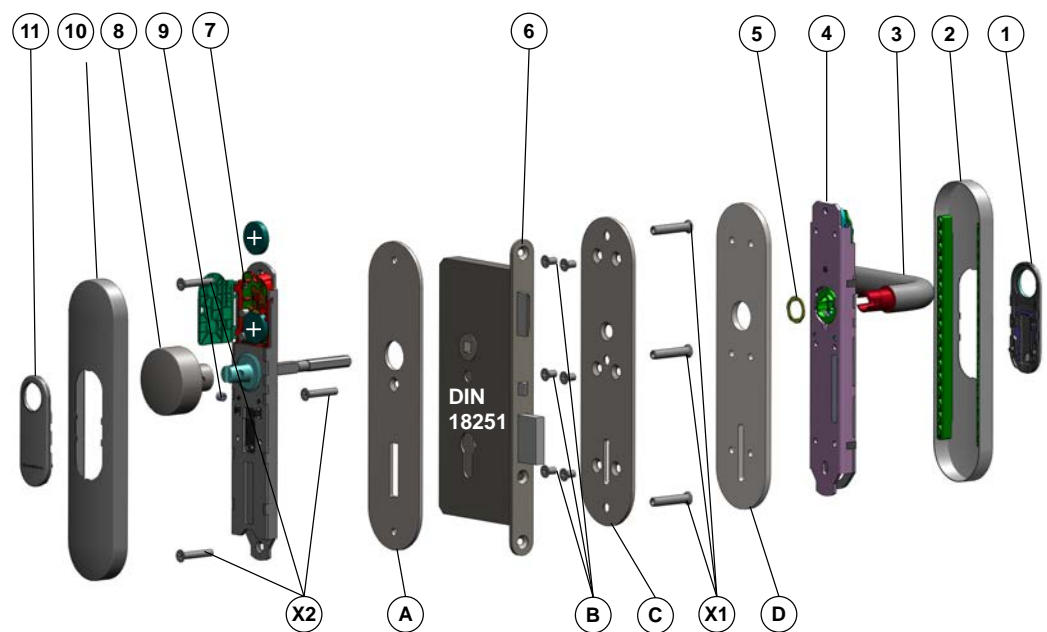


NOTE

To ensure full functionality, SmartHandle must always be used in combination with an SLP lock.

All steps must be completed in order after one another to ensure correct installation.

8.5.4.1 Components



SmartHandle components

1	Inlay
2	Outer cover
3	Outside handle
4	Outer fitting
5	Handle fastener piece
6	Lock (not included)
7	Inside fitting

8	Inside handle
9	Headless screw for inside handle
10	Inside cover
11	Inlay
X1	Sleeves
X2	Screws

SKG components

A	Adapter plate for inside fitting
B	Installation key for outer fitting
C	Adapter plate for outer fitting
D	Spacer plate for outer fitting

8.5.4.2 Step 0: Preparing drill holes



NOTE

The mortise lock must be removed from the lock before drilling to avoid damaging it. The door lock can be re-fitted to the door once drilling is complete.



NOTE

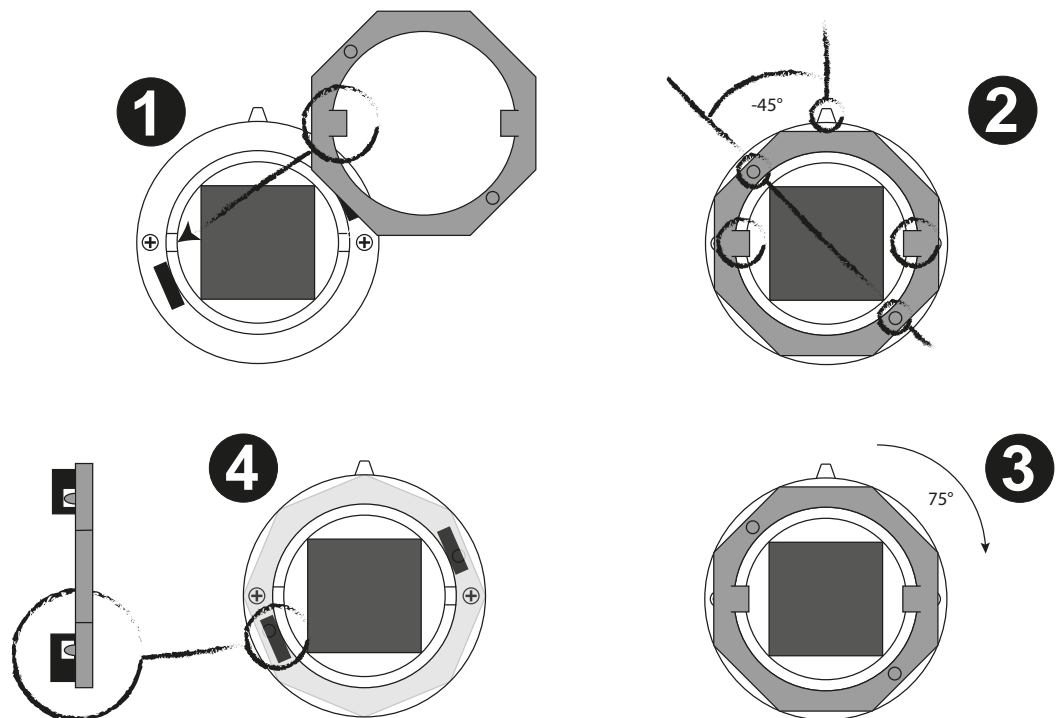
The mortise lock must feature a drill hole as specified in DIN 18251, otherwise SmartHandle 3062 cannot be installed. It is assumed that the mortise lock has been fitted according to instructions.

1. Align drilling template precisely.
 - ↳ The cut for the spindle must be positioned exactly over the retainer opening in the door lock.
 - ↳ The template must be positioned completely parallel to the door edge. The dimension lines act as a reference.
 - ↳ The centre hole must fit precisely over the hole in the lock.
2. Use a suitable pen or pencil to mark the required drill holes.
3. Place drilling template back on again to check the marks are correct.
4. Dismount door lock from door.
5. Drill top hole with a suitable 8-mm drill bit.
6. Drill middle hole with a suitable 8-mm drill bit.
7. Drill lower hole with a suitable 13-mm drill bit. *It is recommended to pre-drill the hole with a 8 mm bit first.*

8. Re-fit door lock to door.

8.5.4.3 Step 1: Preparing to install the outer fitting

1. Place outer cover (2) loosely onto the outer fitting (4). Notice that the outer cover can only be placed onto the fitting in one direction.
 - ↳ The outer cover is positioned flush on the outer fitting but without fastening it.
2. Push inlay (1) onto the outer handle (3) from the short side. Ensure that the black side of the inlay is turned towards the door.
3. Insert outer fitting horizontally into the outer fitting in the direction that you require (DIN left or DIN right).
 - ↳ The outer handle is placed in the outer fitting without being fastened.
4. Position handle fastener piece (5) on the side which will later face the door, as in the diagram below, and fasten with a spanner in a clockwise direction (about 75° until you feel resistance).



- ↳ The outer handle is now firmly attached to the outer fitting and cannot be removed from the outside when in use.
5. Check the handle mechanism to ensure it opens easily.
 - ↳ The outer handle must return to its home position of its own accord. Repeat the procedure described in this section if the outer handle should catch and not open correctly.

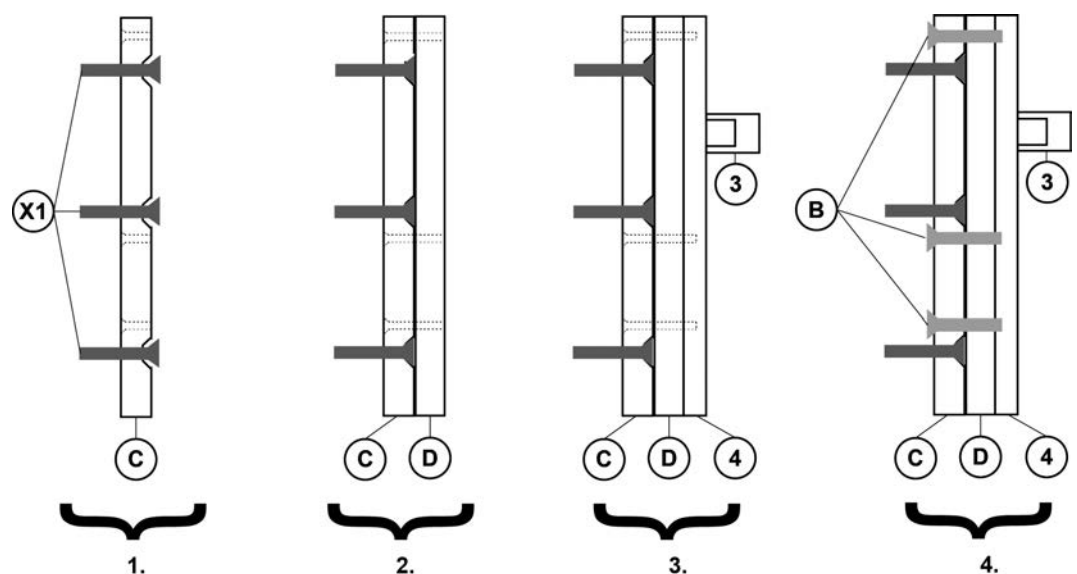
**NOTE**

For easier installation, the cover can usually also be slid over the inlay later in chapter "Step 6: Fastening the covers [▶ 80]".

8.5.4.4 Step 2: Mount adapter plates to outer fitting

1. Insert the sleeves (X1) into the adapter plate for the outer fitting (C) so that the springs of the sleeves engage in the mortises of the counter-bore holes.
 - ↳ The sleeves are flush in the adapter plate and are secured against turning
2. Place the spacer plate (D) flush with the adapter plate so that the heads of the sleeves are concealed.
 - ↳ The six remaining drill holes are flush.
3. Install the outer fitting (4) flush onto the spacer plate.
 - ↳ The six threaded holes of the outer fitting are flush with the drillholes of the adapter plate and spacer plate.
4. Fasten adapter plate, spacer plate and outer fitting with the *six shorter* screws.
 - ↳ The sandwich-like construction is now massively connected.

The following illustration depicts all work steps of this chapter:



8.5.4.5 Step 3: Install fittings

1. Thread in installation tool for cables into the outer fitting with the plug-less side in front from the direction of the adapter plate.
 - ↳ The installation tool extends over the bottom of the outer fitting by just a few centimetres.

2. Attach outer fitting onto the door from the outside and at the same time feed the end of the installation tool with the plug through the lock to the inside of the door.
 - ↳ The three sleeves of the outer fitting construction are fit in the previously drilled holes and the cable of the installation tool protrudes outward from the inside of the door. The outer fitting construction is flush and parallel with the door.
3. Adapter plate for the inside fitting (A) to the inside door and fasten it with a screw (X2) with the centre sleeve of the outer fitting construct. Feed the cable of the installation tool through the long slot of the adapter plate.
 - ↳ The outer fitting stops by itself at the door and the cable of the installation tool protrude to the inside of the door.
 - ↳ All drill holes must be flush!
4. Connect the cable of the inside fitting with the installation tool.
5. Push the inner fitting (7) spindle through the lock's retainer slot and push the inner fitting, so that it is flush on the door. At the same time, by pulling on the installation tool from the outer side of the door, pull the cable of the inside fitting to the outer fitting.
6. Fasten inside fitting with two screws (X2).
7. Connect the connection cable of the inside fitting with the installation tool.
8. Check the outer handle to ensure it opens easily. The handle must always return to its starting position by itself.
 - ↳ If the handle catches, repeat the steps of this chapter. Check whether the fittings are aligned parallel and that the screws are not pulled too tight.

8.5.4.6 Step 4: Check the outer handle to ensure it opens easily

Check the outer handle to ensure it opens easily. The handle must return to its starting position by itself.



NOTE

If the handle catches, repeat the steps of this chapter. Check whether the fittings are aligned parallel and that the screws are not pulled too tight.

8.5.4.7 Step 5: Installing the inside handle

1. Position the internal cover (10) on the internal fitting without fastening it. Notice that the cover can only be placed onto the fitting in one direction.
 - ↳ The cover is positioned flush on the internal fitting but without fastening it.
2. Push inlay (11) onto the internal handle retainer. Ensure that the black side of the inlay is turned towards the door.
3. Insert inside handle horizontally into the outer fitting in the desired direction (DIN left or DIN right).
 - ↳ The internal handle is placed in the internal fitting without being fastened.
4. Tighten the headless screw to fasten internal handle.
 - ↳ The inner door handle is now firmly linked to the SmartHandle.
5. Check the handle mechanism to ensure it opens easily.
 - ↳ Repeat the procedure described in this section if the outer should catch or jam.



NOTE

For easier installation, the cover can usually also be slid over the inlay later in chapter "*Step 6: Fastening the covers [▶ 80]*".

8.5.4.8 Step 6: Fastening the covers

Outer and inside covers are mounted in the same way:

1. Carefully press cover onto the door. Ensure that the cover is positioned flat against the door without a gap and no cables are outside the cover.
2. Click inlay carefully into the outer cover, which is still pressed against the door.

8.6 Conventional fastening system for DoorMonitoring

8.6.1 Contents of packaging

- 2 x inlays
- 2 x covers
- 1 x outer fitting
- 1 x inside fitting
- 1 x outer handle (including lock ring)
- 1 x inside handle (including hexagon screw)

- 2 x sleeves
- 2 x fastening screws
- 1 x fire retardant inlay (in versions for fire retardant doors only)
- 1 x quick start guide
- 1 x installation tool for inlay
- 1 x fastening screw sensor
- 1 x bolt sensor
- 1 x Installation tool for bolt sensor
- 1 x Installation tool for four-wire cable
- 1x extension cable (2-pole) (*2x for L version for doors over than 79 mm thickness*)
- 1 x anti-twist mechanism
- 1 x drilling template

8.6.2 Tools required

The following tools are required for installation and are not included in the supplied package:

- Allen key (3 mm) to fit handle.
- Cross-tIPscrewdriver type PH2 to fit mounting screw (battery screwdriver recommended).
- 19 mm spanner for installing the handle fastener piece.
- Drill
- 8 mm drill bit
- Sharp object (for example pin needle)

8.6.3 Installation instructions

- Batteries are already installed when the product is delivered!
- When installing the electronic SmartHandle 3062, ensure that there are no sources of low-frequency interference in the surrounding area.
- SmartHandle 3062 must be fitted, so that it is flush with the door. You must install the product as specified to ensure that it is structurally stable and will have a long service life.
- You must not strike parts of SmartHandle 3062 during installation.
- The two inlays in the cover are locked into position with a clip mechanism. These may only be removed using the SimonsVoss installation tool.

- ❑ No water or moisture must penetrate the door or reach the inner side. Always use the WP version for moisture.
- ❑ Programme SmartHandle 3062 before installing.
- ❑ SmartHandle 3062 may be difficult to fit in mortise locks with a retaining nut. You must not alter the retaining nut in any way, using a file, for example; otherwise, the handle's guide piece will no longer fit accurately.
- ❑ When installing SmartHandle, you must ensure that the cable does not get caught or fitted too tightly to the door.
- ❑ Conventional fastening system: When fitting the handle into position on the door with the two screws, make sure that the electronics are not subject to mechanical load and are not damaged in any other way.

8.6.4 Installation conventional fastening door monitoring

These installation instructions are designed for a standard door with a self-locking panic lock (SLP lock) already fitted. Old fittings must be fully removed before SmartHandle 3062 SmartHandle is installed.

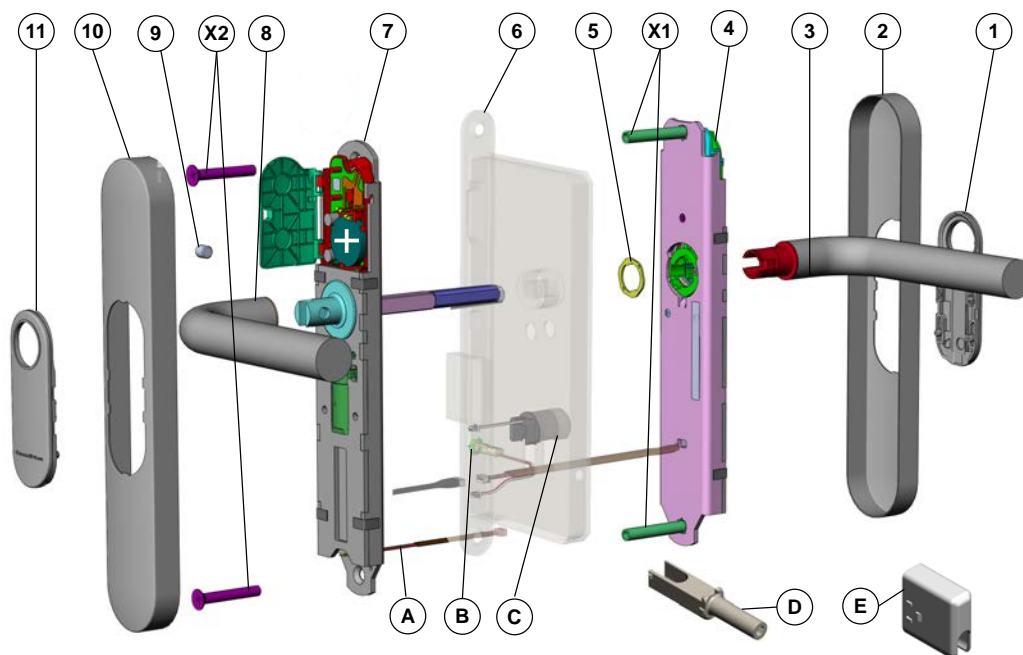


NOTE

To ensure full functionality, SmartHandle must always be used in combination with a self-locking panic lock (SLP lock). Please observe conformity declarations of lock manufacturers in accordance with EN 179!

All steps must be completed in order after one another to ensure correct installation.

8.6.4.1 Components



SmartHandle components

1	Inlay
2	Outer cover
3	Outer handle, including lock ring
4	Outer fitting
5	Handle fastener piece
6	Lock (not included)
7	Inside fitting
8	Inside handle, including hexagon socket screw
9	Headless screw for inside handle
10	Inside cover
11	Inlay
X1	Sleeves
X2	Screws

DoorMonitoring components (conventional fastening)

A	Installation tool for cable
B	Fastening screw sensor

C	Bolt sensor
D	Installation tool for bolt sensor
E	anti-twist mechanism

8.6.4.2 Step 0: Preparing drill holes



NOTE

Please remove the lock from the door before drilling to prevent it from becoming damaged! The lock can be reinstalled in the door once you have completed drilling.

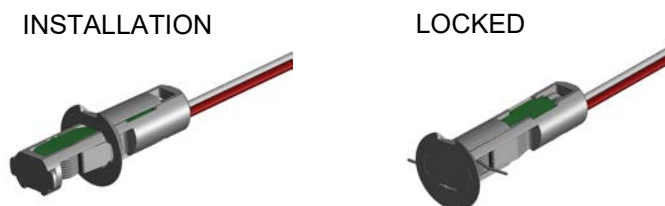
1. Align drilling template precisely.
 - ↳ The cut for the spindle must be positioned exactly over the retainer opening in the door lock.
 - ↳ The template must be positioned completely parallel to the door edge. The dimension lines act as a reference.
2. Use a suitable pen or pencil to mark the two drill holes.
3. Place drilling template back on again to check the marks are correct.
4. Drill top hole with a suitable 8 mm drill bit.
5. Drill lower hole with a suitable 13 mm drill bit. *It is recommended to pre-drill the hole with a 8 mm bit first.*

8.6.4.3 Step 1: Installing the fastening screw sensor



NOTE

The fastening screw sensor may not be in locked final position during installation. The fastening screw sensor must be in the displayed "INSTALLATION" position; otherwise ("LOCKED") the outer ring must be pushed back carefully so that the spring mechanism is tensioned.



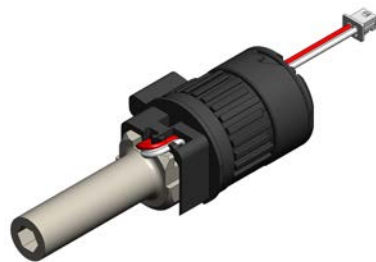
1. Insert the end of the fastening screw sensor cable (B) (with plug) into the sensor screw drill hole.
2. Use a suitable tool (e.g. tweezers) to guide the plug out of the profile cylinder opening on the inner side.

3. Insert fastening screw sensor into the sensor screw hole until it will go no further.
 - ↳ A spring mechanism holds the fastening screw sensor in place in the door lock.

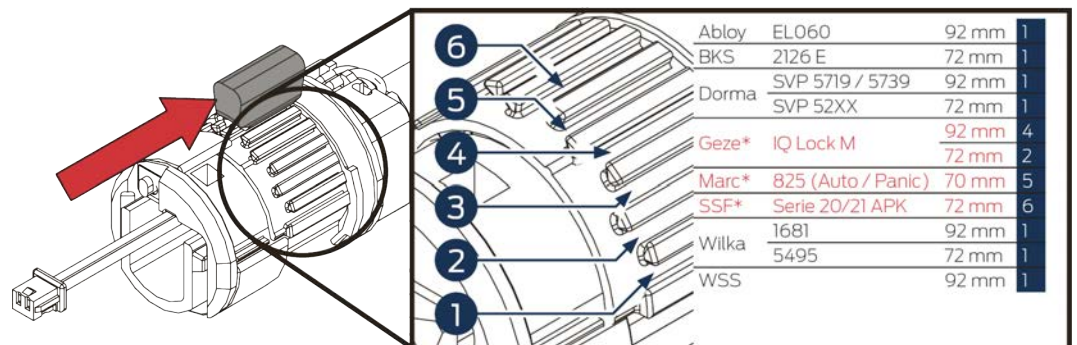
8.6.4.4 Step 2: Bolt sensor installation

Preparation of the bolt sensor

For preparation, the bolt sensor (C) has to be mounted onto the installation tool according to the following illustration:



The bolt sensor cone may need to be moved, depending on the door lock used. In most cases, the cone can remain in the pre-set "Position 1".



The cone can be moved with the following steps:



1. Make sure that the bolt sensor (C) is placed firmly on the installation tool (D).

2. Simply release the outer ring segment from point X (see illustration above) by turning in the direction of the arrow.
3. Move the cone parallel to the axial direction to release it.
4. Pull the cone to the required position.
 - ↳ The correct position can be found online at www.simons-voss.com.
 - ↳ Every bar corresponds to a position. The first bar corresponds to the unauthorized position zero. The illustration depicts the cone at position 1.
5. Turn the ring segment back to the original position until you hear it audibly snap back into position.

Determining the installation direction

- The door lock must be in the unbolted position when it is installed.
- The square opening in the bolt sensor must always point to the right towards the door hinges when the bolt sensor is fitted. This determines whether the bolt sensor needs to be fitted from the inner or outer side of the door.

Fitting the bolt sensor from the inner side

1. Carefully release cable from the bolt sensor cable duct (C) to guide the plug out onto the inner side.
2. Push the bolt sensor into the profile cylinder opening via the installation tool (D) until it stops.
 - ↳ The square opening in the bolt sensor must always point to the right towards the door hinges.
3. Rotate bolt sensor 90°, so that the bolt sensor opening points downwards.
4. Pull the installation tool to remove.
 - ↳ The bolt sensor remains in the lock. The rectangular opening in the bolt sensor faces downwards.

Fitting the bolt sensor from the outer side

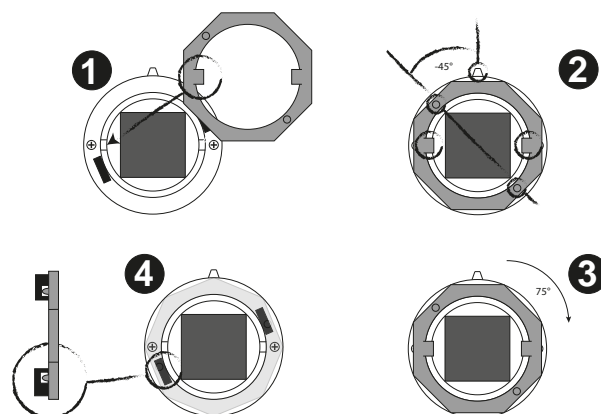
1. Push the bolt sensor (B) into the profile cylinder opening via the installation tool (D) until it stops.
 - ↳ The square opening in the bolt sensor must always point to the right towards the door hinges.
2. Rotate bolt sensor 90°, so that the bolt sensor opening points downwards.
3. Pull the installation tool to remove.
 - ↳ The bolt sensor remains in the lock. The rectangular opening in the bolt sensor faces downwards.

Fix anti-twist mechanism in the door lock

- Introduce the anti-twist mechanism (E) in the rectangular opening of the bolt sensor until you hear it snap into position. If necessary, the anti-twist mechanism can be slightly pressed together so that it fits through the lock better.
 - ↳ The anti-twist mechanism is firmly situated in the lock and keeps the bolt sensor in its position.

8.6.4.5 Step 3: Preparing to install the outer fitting

1. Place outer cover (2) loosely onto the outer fitting (4). Notice that the outer cover can only be placed onto the fitting in one direction.
 - ↳ The outer cover is positioned flush on the outer fitting but without fastening it.
2. Push inlay (1) onto the outer handle (3) from the short side. Ensure that the black side of the inlay is turned towards the door.
3. Insert outer fitting horizontally into the outer fitting in the direction that you require (DIN left or DIN right).
 - ↳ The outer handle is placed in the outer fitting without being fastened.
4. Position handle fastener piece (5) on the side which will later face the door, as in the diagram below, and fasten with a spanner in a clockwise direction (about 75° until you feel resistance).



- ↳ The outer handle is now firmly attached to the outer fitting and cannot be removed from the outside when in use.
5. Check the handle mechanism to ensure it opens easily.
 - ↳ The outer handle must return to its home position of its own accord. Repeat the procedure described in this section if the outer handle should catch and not open correctly.

**NOTE**

For easier installation, the cover can also be pushed over the inlay later in chapter "*Step 6: Fastening the covers [▶ 89]*".

8.6.4.6 Step 4: Installation of fittings

1. Position installation tool (A) through the profile cylinder opening in the door lock, so that the plug remains on the outer side.
2. Push the inside fitting spindle through the retainer slot in the door's mortise lock, so that the fitting is flush with the door.
3. Cables for fastening screw and bolt buttons and the installation tool must be fed beneath the anti-twist mechanism to the inner side.
 - ↳ The inside fitting is now firmly placed flat against the door. The cables and installation tool run downwards on the inside of the door. *If a two-wire cable should be too short, a extension/adapter cable can be used.*
4. Use the installation tool to connect the four-wire cable.
5. Push plug out horizontally, directly beneath the anti-twist mechanism, and to the inner side. The outer fitting must be attached to the door at the same time.
6. Attach outer fitting onto the door from the outside and feed the two sleeves (X1) into the drilled holes through the outer fitting.
7. Fasten the two screws (X2) to the sleeves via the inside fitting. Ensure that the fitting is positioned in parallel to the door.
 - ↳ Inside and outer fitting are now firmly joined together flat against the door.
8. Connect cables. The two two-pole cables and the four-pole cable are to be properly connected to one another. *The two-pole cables can be connected to one another as desired.*
9. Lay cables in such a way that the cover can be easily fitted. Make sure that you do not crush the cables.

8.6.4.7 Step 5: Installing the inside handle

1. Position the internal cover (10) on the internal fitting without fastening it. Notice that the cover can only be placed onto the fitting in one direction.
 - ↳ The cover is positioned flush on the internal fitting but without fastening it.
2. Push inlay (11) onto the internal handle retainer. Ensure that the black side of the inlay is turned towards the door.

3. Insert inside handle horizontally into the outer fitting in the desired direction (DIN left or DIN right).
 - ↳ The internal handle is placed in the internal fitting without being fastened.
4. Tighten the headless screw to fasten internal handle.
 - ↳ The inner door handle is now firmly linked to the SmartHandle.
5. Check the handle mechanism to ensure it opens easily.
 - ↳ Repeat the procedure described in this section if the outer should catch or jam.

**NOTE**

For easier installation, the cover can usually also be slid over the inlay later in chapter "*Step 6: Fastening the covers [▶ 89]*".

8.6.4.8 Step 6: Fastening the covers

Outer and inside covers are mounted in the same way:

1. Carefully press cover onto the door. Ensure that the cover is positioned flat against the door without a gap and no cables are outside the cover.
2. Click inlay carefully into the outer cover, which is still pressed against the door.

8.6.5 Disassembling DoorMonitoring components

The SmartHandle must be fully detached first before the bolt sensor and fastening screw sensor can be dismantled.

Dismount bolt sensor

1. Disconnect all cables from one another.
2. Conventional fastening system: Carefully press the snap-in adapter together and pull out through the profile cylinder opening.
3. Rotate bolt sensor 90° to the left, so that the button faces downwards.
4. Pull the bolt sensor out from the profile cylinder in the mortise lock horizontally.

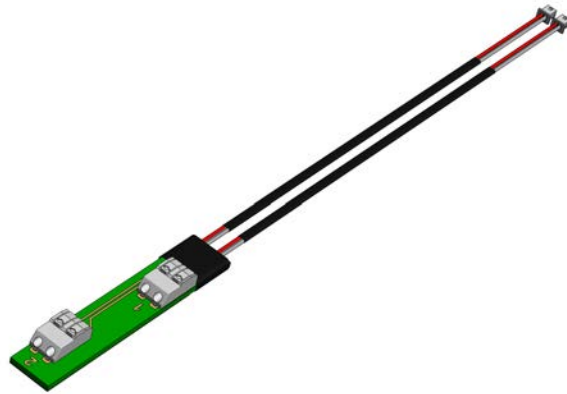
Dismount fastening screw sensor

1. Disconnect all cables from one another.
2. Grip the fastening screw head slit with a small screw driver.
3. Carefully prise out the fastening screw head.
4. Pull out the fastening screw head against the spring force.

8.7 Additional info: DoorMonitoring sensor lock

8.7.1 Sensor lock components

Adapter circuit board for sensor lock:



8.7.2 Installation (manual)



NOTE

Observe the documentation for the mortise lock used to ensure that you do not damage it.

This section explains how to connect the sensor lock adapter to the sensor lock. You will find the general instructions for fitting SmartHandle in the corresponding section in this manual.

8.7.2.1 Step 1: check and wire sensor lock



NOTE

The pin assignment provided for the lock will help you with initial operation. We recommend checking this pin assignment with a multimeter since the lock manufacturer may have made changes.

1. Download the latest pin assignment configuration for connecting the selected sensor lock. You will find it online in the SimonsVoss Value Added Resellers Area for registered users. Contact your reseller to download the current pin assignment if necessary.
2. Wire correctly stripped and tinned cable ends to the sensor lock adapter as per the pin assignment (alternatively, use wire end ferrules of max. 0.5 mm²).
 - ↳ The cable ends can be inserted directly into the sensor lock adapter spring terminal.

You can use a multimeter to identify or verify that the sensor lock is connected correctly. However, SimonsVoss Technologies GmbH accepts no liability for damage caused or malfunctions caused as a result

- The different switching statuses between cables in different door positions (*door open/closed/locked*) also need to be detected. They can be determined based on resistance.
- A low-impedance value in the lowest resistance measurement range on the multimeter signals that the switch is closed.
- A high-impedance or off-the-scale value in the uppermost resistance measurement range on the multimeter signals that the switch is open.
- Door status (open/closed) -> connect sensor cable to Terminal Block 1.
- Dead bolt (lock/unlocked) -> connect sensor cable to Terminal Block 2.

8.7.2.2 Step 2: Fitting sensor lock with adapter

The way that you fit the sensor lock with a connected sensor lock adapter varies, depending on the door.

We recommend tucking the sensor lock adapter away in the lock recess between the sensor lock and the door. Both the two-pole connecting cables from the adapter must be fed to the inside of the door.



NOTE

The sensor lock and cabling must already be installed in the door before you fit the . The sensor lock adapter cables must be fed through to the inner side of the door.

8.7.2.3 Step 3: Installing the fitting

Install the fitting as per the instructions in the enclosed quick guide. Take into account that you must attach both the two two-pole connectors belonging to the sensor lock adapter to one another. (*See Step 4*)

8.7.2.4 Step 4: Connecting cables

Last of all, you need to join the connectors together:

- Attach the connectors belonging to the fittings and the sensor lock adapter to one another. The two-pole sensor lock adapter cables can be connected to one another in any way.

8.8 Swiss Round MO

8.8.1 Contents of packaging

- 2 x inlays
- 2 x inlay
- 1 x outer fitting
- 1 x inside fitting
- 1 x handle for outer fitting, including lock ring
- 1 x handle for inside fitting (including hexagon screw)
- 2 x fastening screws
- 2 x spacing bolts
- 1 x cover plate
- 1 x quick start guide
- 1 x installation tool for inlay

8.8.2 Tools required

The following tools are required for installing SmartHandle 3062 and are not included in the supplied package:

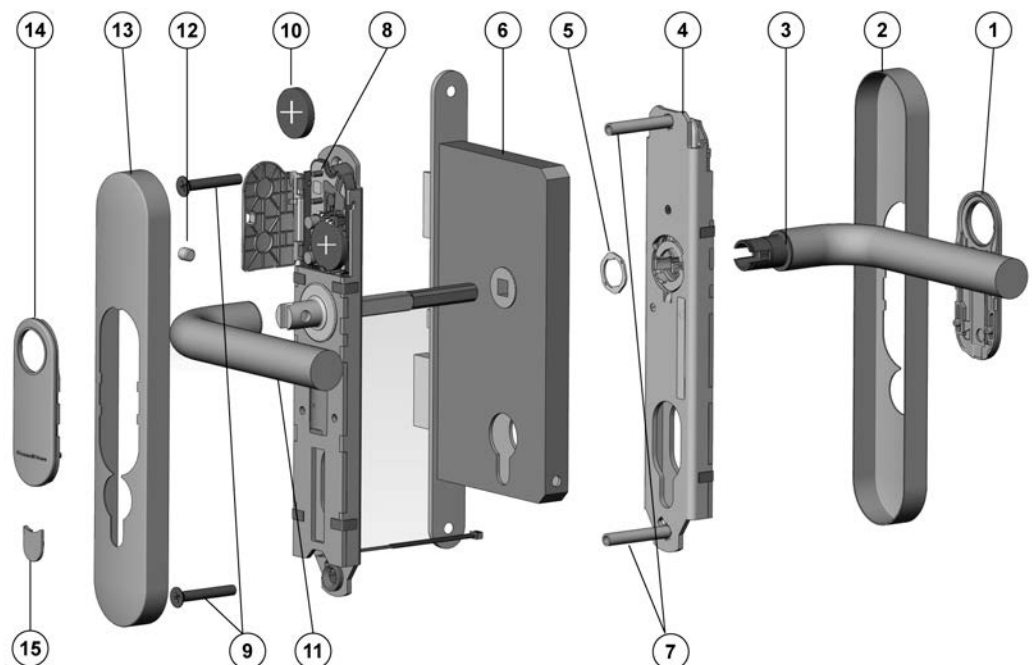
- Allen key (3 mm) to fit handle
- Spanner (19 mm)
- Cross-tip screwdriver type PH2 (battery screwdriver recommended)
- Drill
- Drill bits (8 mm and 13 mm)

8.8.3 Installation instructions MO

- Batteries are already installed when the product is delivered!
- When installing the digital SmartHandle 3062, ensure that there are no sources of (low-frequency) interference in the surrounding area.
- The SmartHandle 3062 must be fitted, so that it is flush with the door. You must install the product as specified to ensure that it is structurally stable and will have a long service life.
- You must not strike parts of the SmartHandle 3062 during installation.
- The two inlays in the cover are locked into position with a clip mechanism. These may only be removed using the SimonsVoss installation tool.

- ❑ No water or moisture must penetrate the door or reach the inner side. In case of moisture, always use the WP version.
- ❑ Programme the SmartHandle 3062 before installation!
- ❑ The SmartHandle 3062 may be difficult to fit in mortise locks with a retaining nut. You must not alter the retaining nut in any way, using a file, for example; otherwise, the handle's guide piece will no longer fit accurately.
- ❑ When installing SmartHandle, you must ensure that the cable does not get caught or fitted too tightly to the door.
- ❑ Conventional fastening system, including MO: When fitting the handle into position on the door with the two screws, make sure that the electronics are not subject to mechanical load and are not damaged in any other way.
- ❑ For MO: The mechanical cylinder is not included in the supplied package for the SmartHandle 3062 with MO.
- ❑ Always install a locking cylinder. If necessary, use a blank cylinder.

8.8.4 Conventional fastening system, including Swiss Round MO:



Keys:

1. Inlay
2. Inlay
3. Outer handle, including lock ring

4. Outer fitting
5. Lock ring
6. Door lock (not included in the scope of supply)
7. Spacing bolt
8. Inside fitting
9. Screws
10. Upper battery
11. Inside handle, including hexagon socket screw
12. Inside hexagon screw
13. Inlay
14. Inlay
15. Cover plate

Installation:

1. Optional: handles, escutcheons, fittings and other door furniture fitted to the door are to be removed.
2. SmartHandle is partly assembled when supplied; see Disassembly.
3. The inlay cannot be fitted on some handles, such as offset handles, when they are already installed. Push the inlay onto the outer handle with the logo facing outwards in such cases. You can do this with most handles.
4. Optional: In a lock with an 8.5 mm or 10 mm spindle, push the corresponding sleeve (8 mm --> 8.5 mm [not included in the supply package] or 8 mm --> 10 mm) through the retainer opening in the mortise lock from the inside.
5. Push the inside fitting (8) spindle through the retainer slot in the door's mortise lock (6), so that the fitting is flush with the door. Ensure that you do not squash the 3-pole cable when doing so.
6. Position the inside fitting (8) in such a way that it is parallel to the door.
7. Mark the drill holes required on the door through the corresponding holes in the inside fitting (8).
8. Remove inside fitting (8) from the door.
9. Drill the holes with a diameter of 8 mm (top hole) and 13 mm (lower hole) through the door.
10. Push inlay (1) onto the outer handle (3). Depending on the handle model, it may not be possible to fit it once the handle is installed.
11. Insert outer handle (3) horizontally into the outer fitting (4) until it will go no further, placing it in the direction that you require, depending on whether it is a DIN left-hand or right-hand door.

12. Place handle fastener piece (5) into position (see Figures 2 and 3).
13. Hold the outside handle (3) and use the spanner to rotate the handle fastener piece (5) about 75° to the right until it fits into position (Figures 4 and 5). If you do not fit it correctly, the handle may come loose again.
14. The inside fitting (8) is mounted onto the inner surface of the door. Push the inside fitting spindle through the retainer slot in the mortise lock and push the inside fitting onto the door until it is about 5 cm away.
15. Push the 3-pole cable for the inside fitting through the lower hole (13 mm in diameter) and ensure that it doesn't get caught or buckled.
16. Push inside fitting (8) through the door completely, so that it is flush with the door. In doing so, place the cable escutcheon into the lower drill hole.
17. The outer fitting (4) is mounted from the outer side of the door.
18. Insert the lower spacing bolt (7) into the outer fitting (4); the upper spacing bolt (7) is pre-fastened into position in the factory.
19. Push the outer fitting retainer slot onto the spindle while pushing the two spacing bolts (7) through the drill holes up to a gap of 2 cm.
20. Insert the 3-pole cable through the cut-out in the lower end of the outer fitting.
21. Push the outer fitting (4) onto the door completely. In doing so, ensure that the inside fitting cable does not get caught or buckled.
22. Connect the 3-pole cable from the inside fitting to the 3-pole cable from the outer fitting. This cable can only be inserted in one direction. Do not pull on the cables while doing so; just carefully secure the plug-in connection into position.
23. The 2-pole cable from the outer fitting can hang freely, but must not get caught when the outer cover (2) is fitted. Do not pull on the cable.
24. Press outer and inside fittings together, so that they are both flush against the door.
25. Press the electronics module cover lid in the inside fitting (8) carefully out of its bracket and fold back horizontally. Make sure that the electronics are not exposed to mechanical load and are not damaged in any other way.
26. Carefully remove the upper battery (10) from the holder. Use clean gloves free of fat or grease to handle batteries.
27. Insert the supplied screws (9) through drill holes in the inside fitting (8) from inside the door and fasten to the spacing bolts (7) on the outer fitting by hand, using about 5–7 Nm.

28. Insert the upper battery (10) with the positive terminals facing away from the door into the brackets; in doing so, insert the batteries under the black retaining collar first. Use clean gloves free of fat or grease to handle batteries.
29. Lock the electronics cover lid back into place.
30. Check that the outer handle (3) can turn easily; if it does not, there may be a problem with the mortise lock (6) or the handle may have been fitted incorrectly. In case of doubt, disassemble components and start again from Step 10.
31. Push the cylinder through the designated hole in the fitting from the outside. In doing so, ensure that the cam is at the six o'clock position and that the 3-pole cable does not get caught or buckled.
32. Fasten the cylinder with the fastening screw by hand, using about 5-7 Nm – note that cylinder and screw are not part of the supply.
33. Carefully push the 3-pole cable into the outer fitting.
34. Push inlay (14) onto the inside handle (11). Depending on the handle model, it may not be possible to fit it once the handle is installed.
35. Push inside handle (11) onto the inside fitting (8) fastening flange until it will go no further.
36. Fasten the hexagon screw (12) on the inside handle (11) firmly by hand.
37. Push the cover (13) over the inside handle (11).
38. Carefully push the inlay (14) through the opening in the inside cover (13).
39. Push cover (13) onto the inside fitting (8), so that it is flush with the door. The cover is not symmetrical; look carefully at the marking to ensure correct positioning (Diagram 7).
40. Click the inlay (14) carefully into the cover (13).
- .
41. Press the cover plate (15) for the cylinder body carefully into the opening in the inside cover (13).
42. Push the cover (2) over the outside handle (3).
43. Carefully push the inlay (1) through the opening in the outside cover (2).
44. Push cover (2) onto the outer fitting (4), so that it is flush with the door. The cover is not symmetrical; look carefully at the marking to ensure correct positioning (Diagram 7).
45. Click the inlay (1) carefully into the cover (2).

8.8.5 Conventional fastening system, including Swiss Round MO WP





Installation:

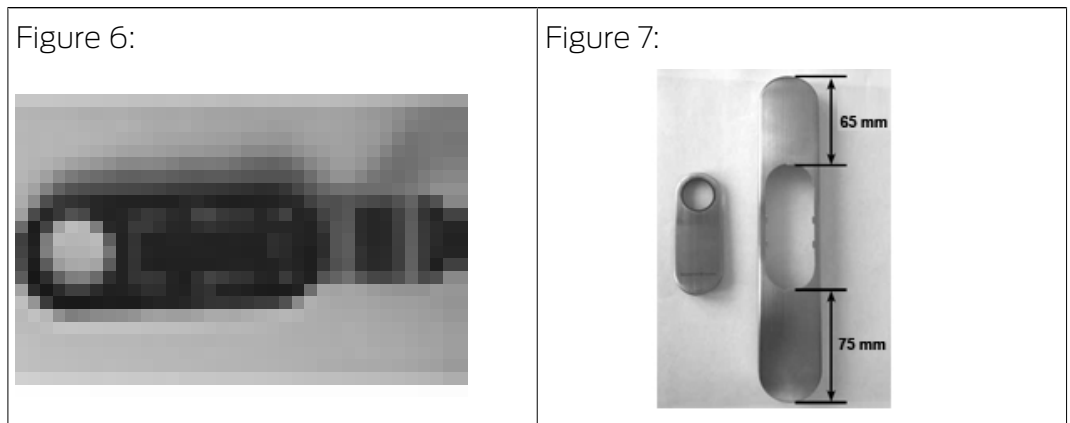
1. Optional: handles, escutcheons, fittings and other door furniture fitted to the door are to be removed.
2. SmartHandle is partly assembled when supplied; see "Disassembly".
3. Optional: In a lock with an 8.5 mm or 10 mm spindle, push the corresponding sleeve (8 mm --> 8.5 mm [not included in the supply package] or 8 mm --> 10 mm) through the retainer opening in the mortise lock from the inside.
4. Push the inside fitting (8) spindle through the retainer slot in the door's mortise lock (6), so that the fitting is flush with the door. Ensure that you do not squash the 2-pole cable when doing so.
5. Position the inside fitting (8) in such a way that it is parallel to the door.
6. Mark the drill holes required on the door through the corresponding holes in the inside fitting (8).
7. Remove inside fitting (8) from the door.
8. Drill the holes with a diameter of 8 mm (top hole) and 13 mm (lower hole) through the door.
9. Push inlay (1) onto the outer handle (3). Depending on the handle model, it may not be possible to fit it once the handle is installed.
10. Insert outer handle (3) horizontally into the outer fitting (4) until it will go no further, placing it in the direction that you require, depending on whether it is a DIN left-hand or right-hand door.
11. Place handle fastener piece (5) into position (see Figures 2 and 3).
12. Hold the outside handle (3) and use the spanner to rotate the fastener piece (5) about 75° to the right until it fits into position (Figures 4 and 5). If you do not fit it correctly, the handle may come loose again.
13. The inside fitting (8) is mounted onto the inner surface of the door. Push the spindle for the inside fitting (8) through the retainer slot in the mortise lock (6) and push the inside fitting onto the door until it is about 5 cm away.
14. The outer fitting (4) is mounted from the outer side of the door.
15. Insert the lower spacing bolt (7) into the outer fitting (4); the upper spacing bolt (7) is pre-fastened into position in the factory.
16. Push the cable from the outer fitting through the lower hole (13 mm in diameter) and through the opening in the cable escutcheon. Ensure you do not catch or buckle the cable while doing so.
17. Push the retainer slot in the outer fitting (8) onto the spindle and push the two spacing bolts (7) through the drill holes in the door while pulling the outer fitting cable inwards in such a way that it is always taut. In doing so, ensure that the outer fitting cable does not get caught or buckled.

18. Connect the 2-pole cable from the outer fitting to the 3-pole cable from the inside fitting. This cable can only be inserted in one direction. Do not pull on the cables while doing so; just carefully secure the plug-in connection into position.
19. The second 2-pole cable from the inside fitting can hang freely, but must not get caught or buckled when the outer cover is fitted. Do not pull on the cable. The second cable is optionally used to connect the LockNode circuit board.
20. Press outer and inside fittings together, so that they are both flush against the door.
21. Press the electronics module cover lid in the inside fitting carefully out of its bracket and fold back horizontally. Make sure that the electronics are not subject to mechanical load and are not damaged in any other way.
22. Carefully remove the upper battery (10) from the holder. Use clean gloves free of fat or grease to handle batteries.
23. Insert the supplied screws (9) through drill holes in the inside fitting (8) from inside the door and fasten to the spacing bolts (7) on the outer fitting by hand, using about 5–7 Nm. Ensure that you do not squash the 2-pole cable when doing so.
24. Insert the upper battery (10) with the positive terminals facing away from the door into the brackets; in doing so, insert the batteries under the black retaining collar first. Use clean gloves free of fat or grease to handle batteries.
25. Carefully lock the electronics cover lid back into place.
26. Check that the outer handle (3) can turn easily; if it does not, there may be a problem with the mortise lock (6) or the handle may have been fitted incorrectly. In case of doubt, disassemble components and start again from Step 10.
27. Push the cylinder through the designated hole in the fitting from the outside. In doing so, ensure that the cam is at the six o'clock position and that the 3-pole cable does not get caught or buckled.
28. Fasten the cylinder with the fastening screw by hand (about 5–7 Nm) (note that cylinder and fastening screw are not part of the supply).
29. Push inlay (14) onto the inside handle (11). Depending on the handle model, it may not be possible to fit it once the handle is installed.
30. Push inside handle (11) onto the inner fitting (8) fastening flange until it will go no further.
31. Tighten the hexagon screw (12) on the inside handle (11) firmly by hand, using about 5–7 Nm.
32. Push the cover (14) over the inside handle (11).

33. Carefully push the inlay (14) through the opening in the inside cover (13).
34. Push cover (13) onto the inside fitting (8), so that it is flush with the door. The cover is not symmetrical; look carefully at the marking to ensure correct positioning (Diagram 7).
35. Click the inlay (14) carefully into the cover (13).
36. Press the cover plate (15) for the cylinder body carefully into the opening in the inside cover (13).
37. Push the cover (2) over the outside handle (3).
38. Carefully push the inlay (1) through the opening in the outside cover (2).
39. Push cover (2) onto the outer fitting (4), so that it is flush with the door. The cover is not symmetrical; look carefully at the marking to ensure correct positioning (Diagram 7).
40. Click the inlay (1) carefully into the cover (2).

8.8.6 Diagrams for conventional fastening system

<p>Figure 2: Handle fastener piece</p>  A close-up photograph of a handle fastener piece, which is a small, circular metal component with a central hole and a textured outer ring.	<p>Figure 3: Handle fastener piece open</p>  A close-up photograph of the handle fastener piece in its open position, showing the internal mechanism and the central hole.
<p>Figure 4: Handle fastener piece closed</p>  A close-up photograph of the handle fastener piece in its closed position, showing the internal mechanism and the central hole.	<p>Figure 5: Fastener piece - correct position for the handle fastener piece when closed</p>  A photograph showing the handle fastener piece in its closed position, with a hand pointing to the correct position for the handle fastener piece when closed.



Tab. 4: Diagrams showing installation

8.8.7 Restore storage mode for SwissRound MO

1. Disconnect the 3-pole cable from the inside fitting to the 3-pole cable from the outer fitting. If necessary also disconnect the cable of the LockNode from the inside fitting.
2. Hold the inside and outer fittings firmly while pulling them away from one another horizontally.
3. If necessary, loosen the hexagon screw in the inside door handle, but ensure that you only unscrew a little, so that the screw remains in the handle.
4. Remove the inside handle from the inside fitting.

Fitted to the door:



NOTE

General instructions: Depending on the handle model, it may not be possible to remove the inlay immediately. In such a case, push the inlay through the opening in the cover and remove the cover. The inlay remains on the handle and cannot be removed until the handle is dismantled.

Follow the same steps as for installation but in reverse order.

8.9 Scandinavian Oval

8.9.1 Contents of packaging

- 2 x inlays
- 2 x covers
- 1 x outer fitting
- 1 x outer fitting adapter plate
- 1 x inside fitting

- 1 x inside fitting adapter plate
- 1 x outer handle, including handle fastener piece
- 1 x inside handle, including hexagon socket screw
- 4 x long mounting screws
- 5 x short screws (8 x for DP version)
- 1 x quick start guide
- 1 x installation tool for inlay
- 1 x drilling protection plate (for DP version only)

8.9.2 Tools required

The following tools are required for installing SmartHandle 3062 and are not included in the supplied package:

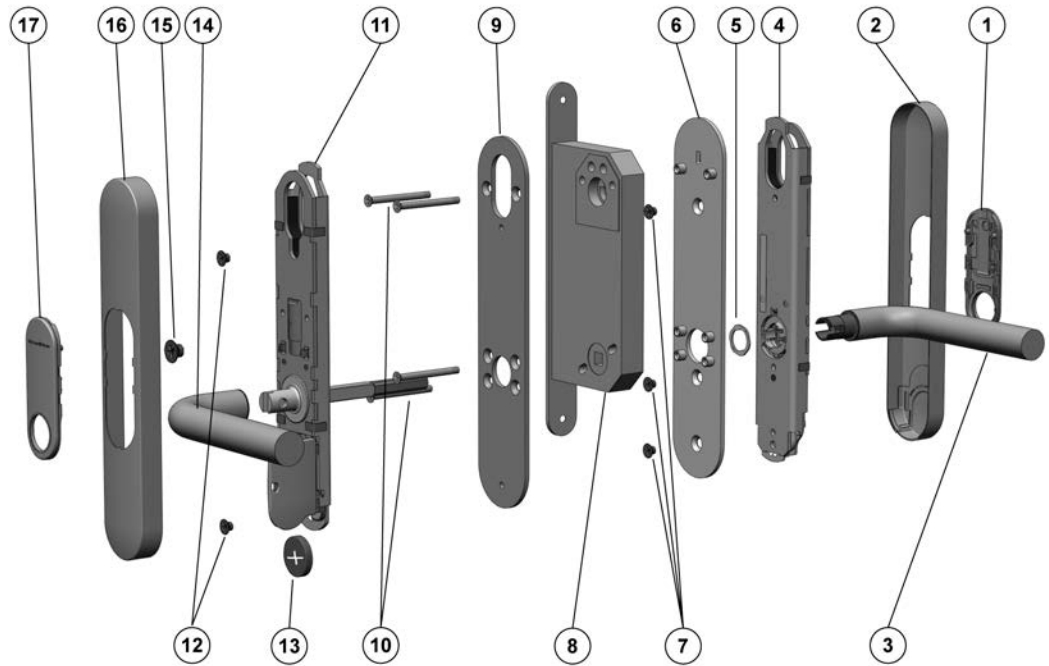
- Allen key (3 mm) to fit handle
- Spanner (19 mm)
- Cross-tip screwdriver type PH2
- Hack saw (to cut fastening screws to length)

8.9.3 Installation instructions

- Batteries are already installed when the product is delivered!
- When installing the electronic SmartHandle 3062, ensure that there are no sources of low-frequency interference in the surrounding area.
- SmartHandle 3062 must be fitted, so that it is flush with the door. You must install the product as specified to ensure that it is structurally stable and will have a long service life.
- You must not strike parts of SmartHandle 3062 during installation.
- The two inlays in the cover are locked into position with a clip mechanism. These may only be removed using the SimonsVoss installation tool.
- No water or moisture must penetrate the door or reach the inner side. Always use the WP version for moisture.
- Programme SmartHandle 3062 before installing.
- SmartHandle 3062 may be difficult to fit in mortise locks with a retaining nut. You must not alter the retaining nut in any way, using a file, for example; otherwise, the handle's guide piece will no longer fit accurately.
- When installing SmartHandle, you must ensure that the cable does not get caught or fitted too tightly to the door.

- Conventional fastening system: When fitting the handle into position on the door with the two screws, make sure that the electronics are not subject to mechanical load and are not damaged in any other way.

8.9.4 Conventional fastening system Scandinavian Oval



Keys:

1. Inlay
2. Inlay
3. Outer handle, including handle fastener piece
4. Outer fitting
5. Lock ring
6. Adapter plate for outer side
7. Screws
8. Door lock (not included in the scope of supply)
9. Adapter plate for inner side
10. Screws
11. Inside fitting
12. Screws
13. Lower battery
14. Inside handle, including hexagon socket screw
15. Inside hexagon screw

16. Inlay

17. Inlay

Installation:

1. Optional: handles, escutcheons, fittings and other door furniture fitted to the door are to be removed.
2. The SmartHandle 3062 is partly assembled when supplied; see Disassembly.
3. The inlay cannot be fitted on some handles, such as offset handles, when they are already installed. Push the inlay onto the handle with the logo facing outwards before installing the handle. You can do this with most handles.
4. Push inlay (1) onto the outer handle (3). Depending on the handle model, it may not be possible to fit it once the handle is installed.
5. Insert outer handle (3) horizontally into the outer fitting (4), placing it in the direction that you require, depending on whether it is a DIN left-hand or right-hand door.
6. Place handle fastener piece (5) into position (see Figures 2 and 3).
7. Hold the outside handle (4) and use the spanner to rotate the handle fastener piece (5) about 75° to the right until it fits into position (Figures 4 and 5). If you do not fit it correctly, the handle may come loose again.
8. First, you must adjust the four supplied mounting screws (10) to the door thickness using the following formula. The screws (10) have also been treated with thread-locking fluid to prevent the handle coming loose due to vibrations, for example. Important: this fluid hardens within 24 hours of the screws being fastened for the first time. If the screws are undone again, the fluid no longer secures the screws.



NOTE

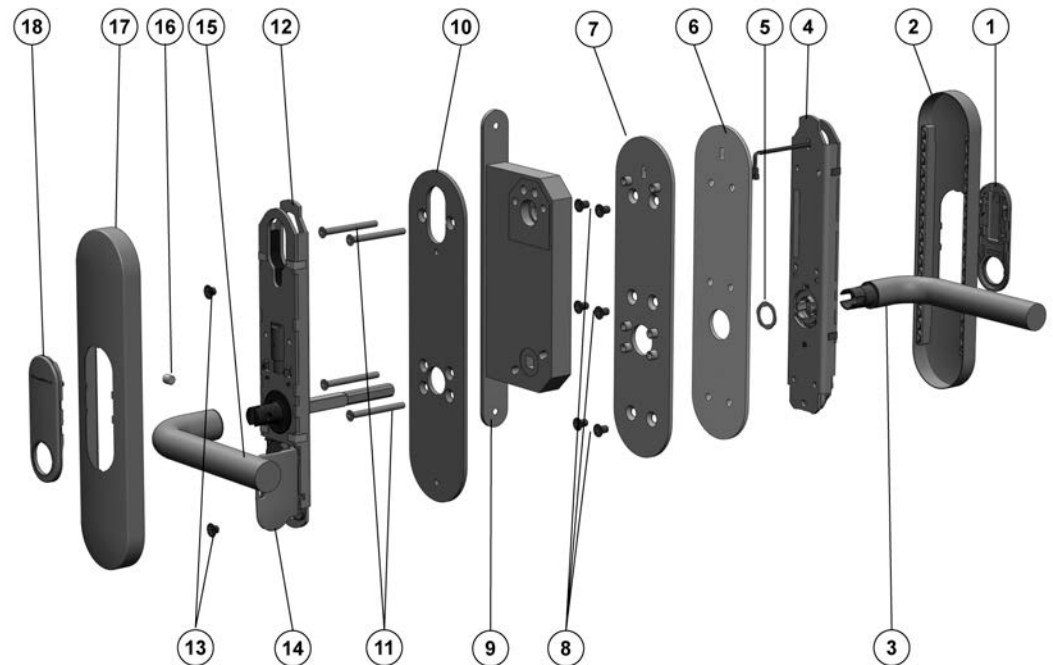
Required screw length = door thickness + 4 mm. The tolerance is ± 1 mm.

9. The outer fitting (4) is mounted from the outer side of the door. Push the cable from the outer fitting (4) through the small, upper hole in the adapter plate (6).
10. Place the adapter plate (6) on the inside surface of the outer fitting (4), so that it is flush with the fitting.
11. Use the three screws (7) to fasten the adapter plate (6) to the outer fitting and then tighten firmly by hand (about 5-7 Nm).
12. Push the cable from the outer fitting through one of the two upper holes in the mortise lock (8).

13. Push the outer fitting (4) onto the door, making sure that the cable does not get caught or damaged in any other way.
14. Hold the outer fitting (4) firmly and then press the adapter plate (9) against the door from the inside.
15. Use the four screws (10) to join the adapter plate (9) with the outer fitting (4) from the inside, ensuring that the fitting can still move freely.
16. Position the fitting parallel to the door leaf; otherwise, you may not be able to mount the inside fitting (11). If this is the case, you will need to re-align the fitting.
17. Fasten the screws (10) until the adapter plate (9) lies flat against the door.
18. The inside fitting (11) is mounted onto the inner surface of the door. Push the inside fitting (11) spindle through the mortise lock's retainer slot and push the inside fitting (11), so that it is flush on the door. In doing so, push the 2-pole cable through the cylinder opening in the mortise lock and ensure that it does not get caught.
19. Press outer and inside fittings together, so that they are both flush against the door.
20. Press the electronics module cover lid in the inside fitting carefully out of its bracket and fold back horizontally. Make sure that the electronics are not exposed to mechanical load and are not damaged in any other way.
21. Carefully remove the lower battery (13) from the holder. Use clean gloves free of fat or grease to handle batteries.
22. Use the two screws (12) to fasten the inside fitting (11) to the adapter plate (9), using about 5-7 Nm of force.
23. Insert the lower battery (13) with the positive terminals facing away from the door into the brackets; in doing so, insert the batteries under the black retaining collar first. Use clean gloves free of fat or grease to handle batteries.
24. Carefully lock the electronics cover lid back into place.
25. Connect the 2-pole cable from the outer fitting (4) to the 2-pole cable from the inside fitting (11). This cable can only be inserted in one direction. Do not pull on the cables while doing so; just carefully secure the plug-in connection into position. Optional: Connect the two-pole cable on the additional electronic module on the outer side with the corresponding cable from the inside fitting.
26. The 2-pole cable from the outer fitting may hang freely; when mounting the outside cover (2) onto the fitting, ensure that the cables do not get caught or broken. Do not pull on the cables. The second cable is optionally used to connect the LockNode circuit board.

27. Check that the outer handle (3) can turn easily; if it does not, there may be a problem with the mortise lock (8) or the handle may have been fitted incorrectly. In case of doubt, disassemble components and start again from Step 4.
28. Push inlay (17) onto the inside handle (14). Depending on the handle model, it may not be possible to fit it once the handle is installed.
29. Push inside handle (14) onto the inside fitting (11) fastening flange until it will go no further.
30. Tighten the inside handle (15) hexagon screw firmly by hand, using about 5-7 Nm.
31. Push the cover (16) over the inside handle (14).
32. Carefully push the inlay (17) through the opening in the inside cover (16).
33. Push the cover (16) onto the inside fitting (11), so that it is flush with the door. The cover is not symmetrical; look carefully at the marking to ensure correct positioning.
34. Click the inlay (17) carefully into the cover (16).
35. Push the cover (2) over the outside handle (3). The cover acts as an antenna for the LockNode.
36. Carefully push the inlay (1) through the opening in the outside cover (2).
37. Push the cover (2) onto the outer fitting (4), so that it is flush with the door. The cover is not symmetrical; look carefully at the marking to ensure correct positioning.
38. Click the inlay (1) carefully into the cover (2).

8.9.5 Conventional fastening system for Scandinavian Oval DP

**Key:**

1. Inlay
2. Inlay
3. Outside handle
4. Outer fitting
5. Handle fastener piece
6. Drilling protection plate
7. Adapter plate for outer side
8. Screws
9. Door lock (not included in the scope of supply)
10. Adapter plate for inner side
11. Screws
12. Inside fitting
13. Screws
14. Lower battery
15. Inside handle
16. Inside hexagon screw
17. Inlay
18. Inlay

Installation:

1. Optional: handles, escutcheons, fittings and other door furniture fitted to the door are to be removed.
2. SmartHandle 3062 is partly assembled when supplied; see "Disassembly".
3. Push inlay (1) onto the outer handle (3). Depending on the handle model, it may not be possible to fit it once the handle is installed.
4. Insert outer handle (3) horizontally into the outer fitting (4), placing it in the direction that you require, depending on whether it is a DIN left-hand or right-hand door.
5. Place handle fastener piece (5) into position (see Diagrams 2 and 3).
6. Hold the outside handle (3) and use the spanner to rotate the fastener piece (5) about 75° to the right until it fits into position (Diagrams 4 and 5). If you do not fit it correctly, the handle may come loose again.
7. First, you must adjust the four supplied mounting screws (11) to the door thickness using the following formula. The screws (11) have also been treated with thread-locking fluid to prevent the handle coming loose due to vibrations, for example. Important: this fluid hardens within 24 hours of the screws being fastened for the first time. If the screws are undone again, the fluid no longer secures the screws.

**NOTE**

Required screw length = door thickness + 4 mm The tolerance is ± 1 mm.

8. The outer fitting (4) is mounted from the outer side of the door. Push the cable from the outer fitting through the small, upper hole in the drilling protection plate (6).
9. Push the cable from the outer fitting through the small, upper hole in the outer adapter plate (7).
10. Place the drilling protection plate (6) flat on the outer adapter plate (7), so that all holes are superimposed over one another.
11. Place both plates flat on the fitting (4), so that all holes are superimposed over one another.
12. Use the six drilling protected screws (8) to fasten the outer adapter plate (7) to the outer fitting (4) and then tighten firmly by hand, using about 5-7 Nm.
13. Push the cable from the outer fitting through one of the two upper holes in the mortise lock.

14. Push the outer fitting (4) onto the door, making sure that the cable does not get caught or damaged in any other way.
15. Hold the outer fitting (4) firmly and then press the inner side adapter plate (10) against the door from the inside.
16. Use the four screws (11) to join the inner side adapter plate (10) with the outer fitting (4) from the inside, ensuring that the fitting can still move freely.
17. Position the fitting parallel to the door leaf; otherwise, you may not be able to mount the inside fitting (12). If this is the case, you will need to re-align the fitting.
18. Fasten the screws (11) until the adapter plate (10) lies flat against the door.
19. The inside fitting (12) is mounted onto the inner surface of the door. Push the inner fitting spindle through the mortise lock (9) retainer slot and push the inner fitting (12) until it is flush with the door. In doing so, push the 2-pole cable through the cylinder opening in the mortise lock and ensure that it does not get caught.
20. Press outer and inside fittings together, so that they are both flush against the door.
21. Press the electronics module cover lid in the inside fitting carefully out of its bracket and fold back horizontally. Make sure that the electronics are not subject to mechanical load and are not damaged in any other way.
22. Carefully remove the lower battery (14) from the holder. Use clean gloves free of fat or grease to handle batteries.
23. Use the two screws (13) to fasten the inside fitting (12) to the adapter plate (10), using about 5-7 Nm of force.
24. Insert the lower battery (14) with the positive terminals facing away from the door into the brackets; in doing so, insert the batteries under the black retaining collar first. Use clean gloves free of fat or grease to handle batteries.
25. Carefully lock the electronics cover lid back into place.
26. Connect the 2-pole cable from the outer fitting to the 2-pole cable from the inside fitting. This cable can only be inserted in one direction. Do not pull on the cables while doing so; just carefully secure the plug-in connection into position. Optional: Connect the two-pole cable of the additional electronic module on the outer side with the respective cable of the inside fitting.

27. The 2-pole cable from the outer fitting may hang freely; when mounting the outside cover (2) onto the fitting, ensure that the cables do not get caught or broken. Do not pull on the cables. The second cable is optionally used to connect the LockNode circuit board.
28. Check that the outer handle can turn easily; if it does not, there may be a problem with the mortise lock (9) or the handle may have been fitted incorrectly. In case of doubt, disassemble components and start again from Step 4.
29. Push inlay (17) onto the inside handle (15). Depending on the handle model, it may not be possible to fit it once the handle is installed.
30. Push inside handle (15) onto the inner fitting (12) fastening flange until it will go no further.
31. Tighten the inside handle (16) hexagon screw firmly by hand, using about 5-7 Nm.
32. Push the cover (17) over the inside handle (15).
33. Carefully push the inlay (18) through the opening in the inside cover (17).
34. Push the cover (17) onto the inside fitting (12), so that it is flush with the door. The cover is not symmetrical; look carefully at the marking to ensure correct positioning.
35. Click the inlay (18) carefully into the cover (17).
36. Push the cover (2) over the outside handle (3). The cover is used as an antenna for the LockNode.
37. Carefully push the inlay (1) through the opening in the outside cover (2).
38. Push the cover (2) onto the outer fitting (4), so that it is flush with the door. The cover is not symmetrical; look carefully at the marking to ensure correct positioning.
39. Click the inlay (1) carefully into the cover (2).







8.9.6 Conventional fastening system for Scandinavian Oval MO

If an additional mechanical cylinder is to be installed to double-lock the door, you must ensure that the cable from the outer fitting cannot be pulled through the lock. There are two options to choose from:

- Pull cable through the door via the lock. In doing so, you must ensure that the cable does not get damaged in any way. You will need to remove the mortise lock from the door or at least loosen the fastening screws.

- Enlarge the upper hole, so that the cable can be easily pulled through the door via the lock. The hole diameter should be no larger than 45 mm; otherwise, there is a risk that the fitting will no longer cover the hole. In principle, it is also possible to enlarge the hole upwards only to form an elongated hole.

8.9.7 Diagrams for Scandinavian Oval

Figure 2: Handle fastener piece 	Figure 3: Handle fastener piece open 
Figure 4: Handle fastener piece closed 	Figure 5: Fastener piece - correct position for the handle fastener piece when closed 
Figure 6: 	Figure 7: 

Tab. 5: Diagrams showing installation

8.9.8 Restore storage mode for ScandinavianOval

1. Disconnect the 3-pole cable from the inside fitting to the 3-pole cable from the outer fitting. If necessary also disconnect the cable of the LockNode from the inside fitting.
2. Hold the inside and outer fittings firmly while pulling them away from one another horizontally.
3. If necessary, loosen the hexagon screw in the inside door handle, but ensure that you only unscrew a little, so that the screw remains in the handle.
4. Remove the inside handle from the inside fitting.

Fitted to the door:



NOTE

General instructions: Depending on the handle model, it may not be possible to remove the inlay immediately. In such a case, push the inlay through the opening in the cover and remove the cover. The inlay remains on the handle and cannot be removed until the handle is dismantled.

Follow the same steps as for installation but in reverse order.

8.10 SmartHandle Hybrid

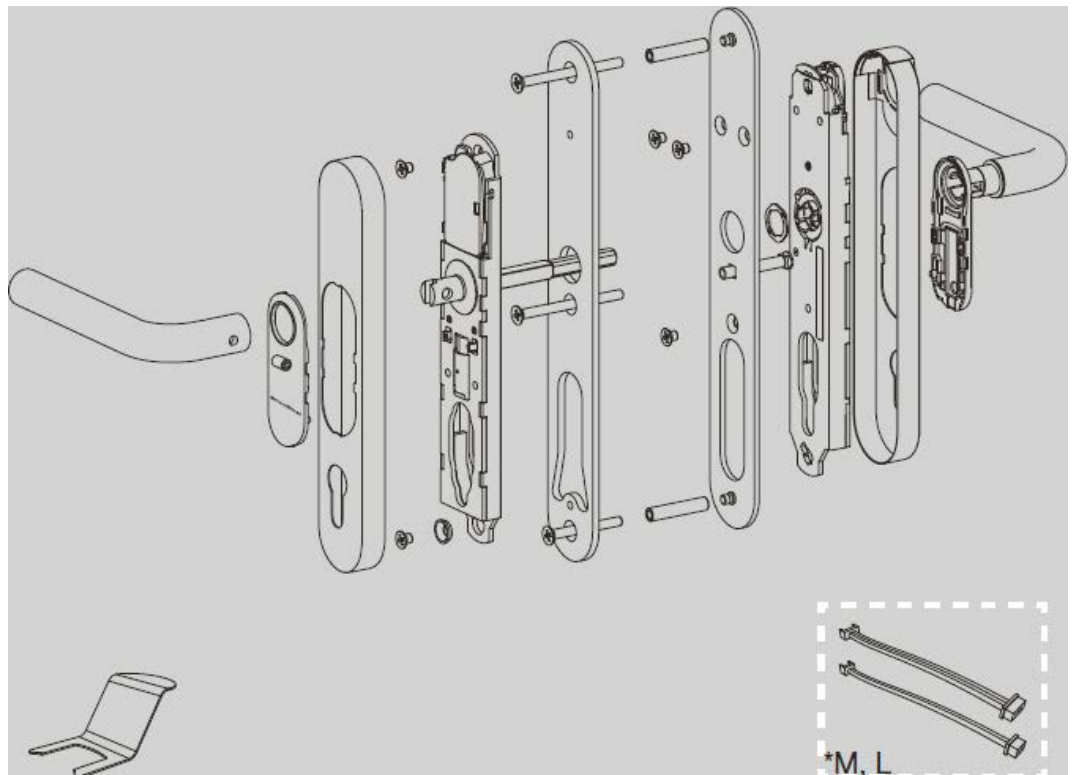
SmartHandle 3062 with hybrid authentication (*e.g. active transponder and passive smart cards/smart tags*) and SmartHandle 3062 with exclusively passive authentication (*e.g. passive card*) are installed in the same way as regular variants:

- *Snap-in [▶ 40]*
- *Conventional fastening [▶ 56]*
- *Conventional fastening system WO [▶ 64]*
- *Swiss Round MO [▶ 92]*
- *Scandinavian Oval [▶ 100]*

8.11 Steel frame with/without MO (RRMO)

The cable connector is located on the inside for all variants.

8.11.1 Contents of packaging



- 2 x inlays
- 2x cover (shield)
- 1 x outer fitting
- 1x adapter plate external fitting (packed separately)
- 1x special sleeve nut with square head for adapter plate external fitting

- 2x sleeve nut for adapter plate external fitting
- 1 x outer handle, including handle fastener piece
- 1 x internal fitting
- 1x adapter plate inside fitting (packed separately)
- 2x long screw for adapter plate Internal fitting
- 1x middle screw for adapter plate Internal fitting
- 1 x internal handle, including hexagon socket screw
- 5x short screw
- 1x special washer
- 1x set of extension cables (M and L version only)
- 1 x quick start guide
- 1 x installation tool for inlay

8.11.2 Tools required

The following tools are required for installation and are not included in the supplied package:

- Allen key (3 mm) to fit handle.
- Cross-tlP screwdriver type PH2 to fit mounting screw (battery screwdriver recommended).
- 19 mm spanner for installing the handle fastener piece.
- Drill
- 8 mm drill bit
- Sharp object (for example pin needle)

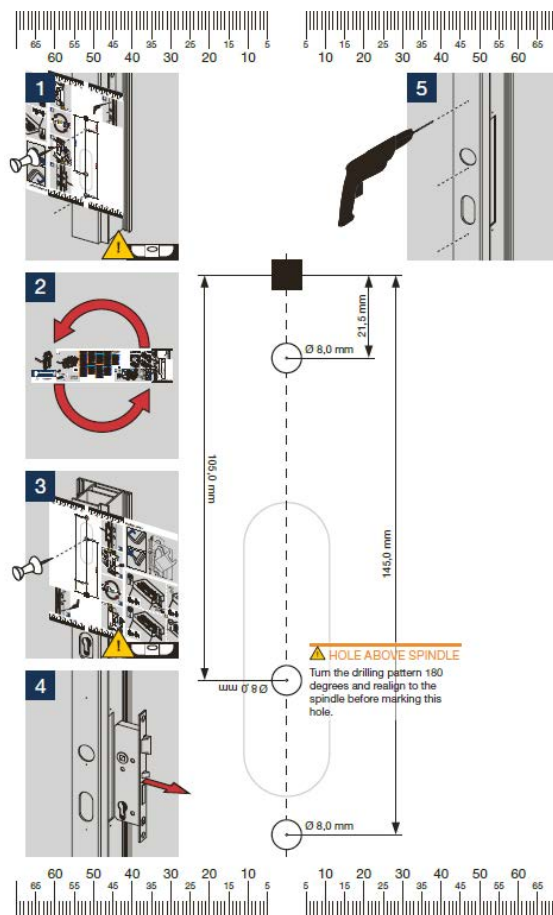
8.11.3 Installation instructions MO

- Batteries are already installed when the product is delivered!
- When installing the digital SmartHandle 3062, ensure that there are no sources of (low-frequency) interference in the surrounding area.
- The SmartHandle 3062 must be fitted, so that it is flush with the door. You must install the product as specified to ensure that it is structurally stable and will have a long service life.
- You must not strike parts of the SmartHandle 3062 during installation.
- The two inlays in the cover are locked into position with a clip mechanism. These may only be removed using the SimonsVoss installation tool.

- No water or moisture must penetrate the door or reach the inner side. In case of moisture, always use the WP version.
- Programme the SmartHandle 3062 before installation!
- The SmartHandle 3062 may be difficult to fit in mortise locks with a retaining nut. You must not alter the retaining nut in any way, using a file, for example; otherwise, the handle's guide piece will no longer fit accurately.
- When installing SmartHandle, you must ensure that the cable does not get caught or fitted too tightly to the door.
- Conventional fastening system, including MO: When fitting the handle into position on the door with the two screws, make sure that the electronics are not subject to mechanical load and are not damaged in any other way.
- For MO: The mechanical cylinder is not included in the supplied package for the SmartHandle 3062 with MO.
- Always install a locking cylinder. If necessary, use a blank cylinder.

8.11.4 Installation

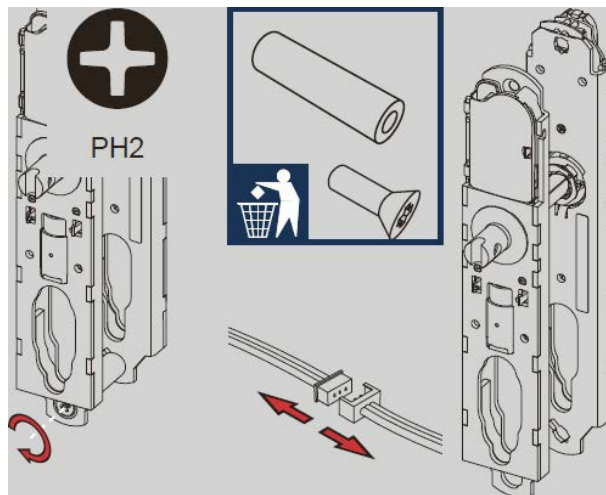
8.11.4.1 Step 0: Preparing drill holes



1. Align the drilling template exactly (the punching of the square coincides with the nut opening of the door lock and the template is aligned absolutely parallel to the door edge. The dimension lines serve as a reference).
 2. Punch the top and bottom holes in the door with a pointed object (pin).
 3. Turn the drilling template 180 degrees and align the drilling template again.
 4. Pierce the middle hole in the door with a pointed object (pin).
 5. Remove the door lock.
 6. Drill the holes with a suitable 8 mm drill bit.
 7. Enlarge the lock cylinder opening slightly so that you can later guide the cable through the opening.
 8. Reinsert the door lock.
- ↳ Drill holes are prepared.

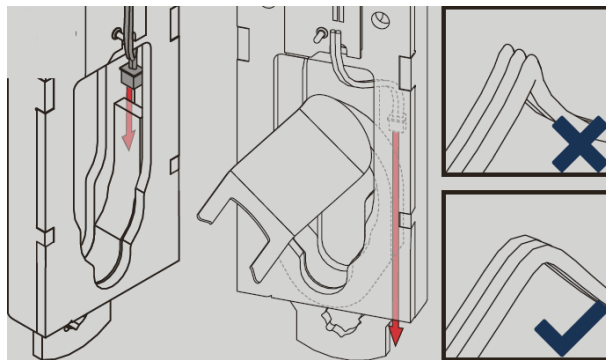
8.11.4.2 Step 1: Preparing the fittings

Separate the halves



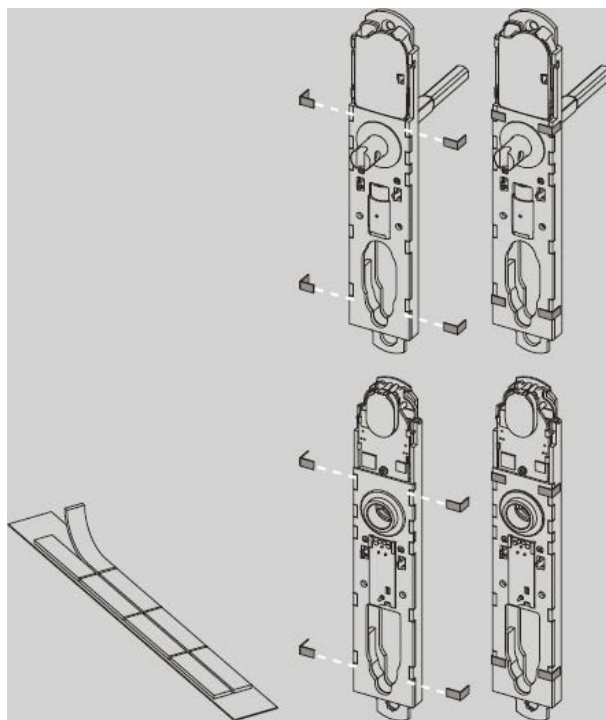
- ✓ SmartHandle programmed.
1. Disconnect the three-pin cable that connects the inside fitting and the outside fitting.
 2. If necessary, also disconnect the cable of the LockNode of the inside fitting.
 3. Loosen the screw connection that connects the inner and outer fittings.
 4. Dispose of the screw and the plastic sleeve.
- ↳ Halves are separated.

Prepare the cable



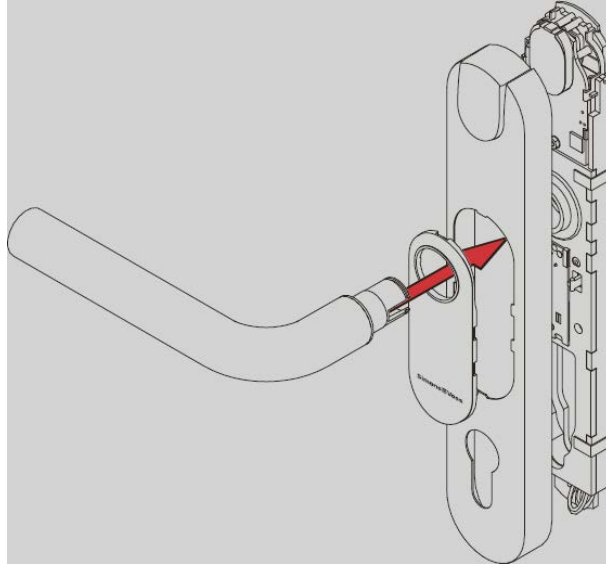
1. Use the opening tool to push the foam insert to the side.
2. Guide the cable past the foam insert and down out of the fitting without kinking it.
 - ↳ The cable is prepared.

Attaching damper foams

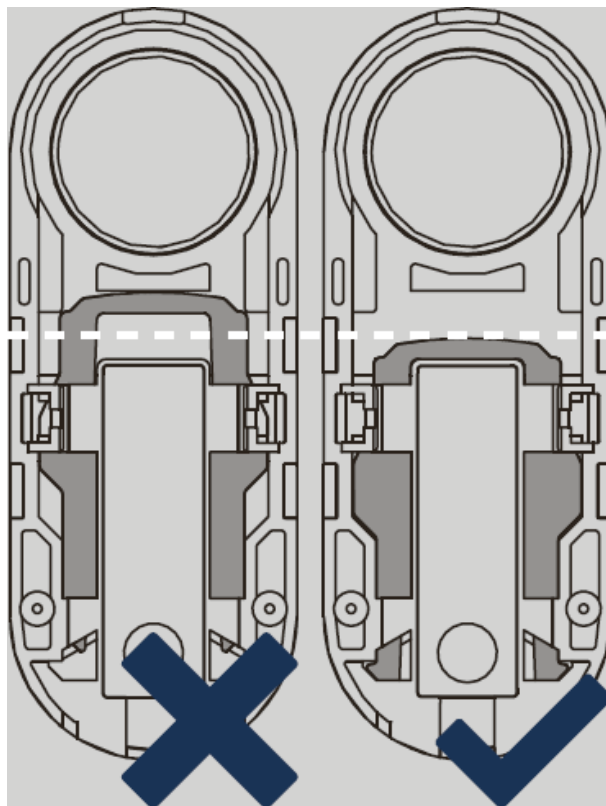


- Glue the damper foams to the fittings as shown.
 - ↳ Damper foams are glued on.

8.11.4.3 Step 2: Mounting the outside handle

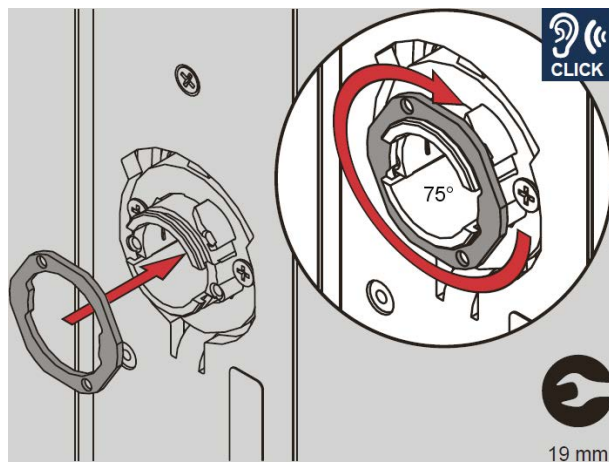
Attach the outside handle

1. Make sure that the slide of the cover is in the position shown.



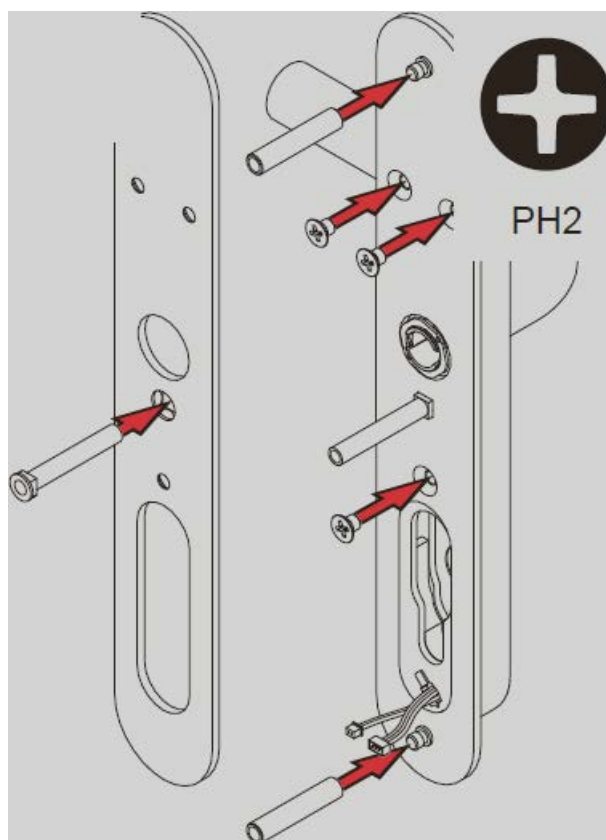
2. Clip the cover into the inlay.
3. Push the inlay with the cover onto the fitting.
4. Insert the handle.
 - ↳ Outside handle is attached.

Secure the outside handle



1. Put the retaining ring on the inside of the outside handle.
2. Turn the retaining ring clockwise by about 75°.
↳ The outside handle is secured.

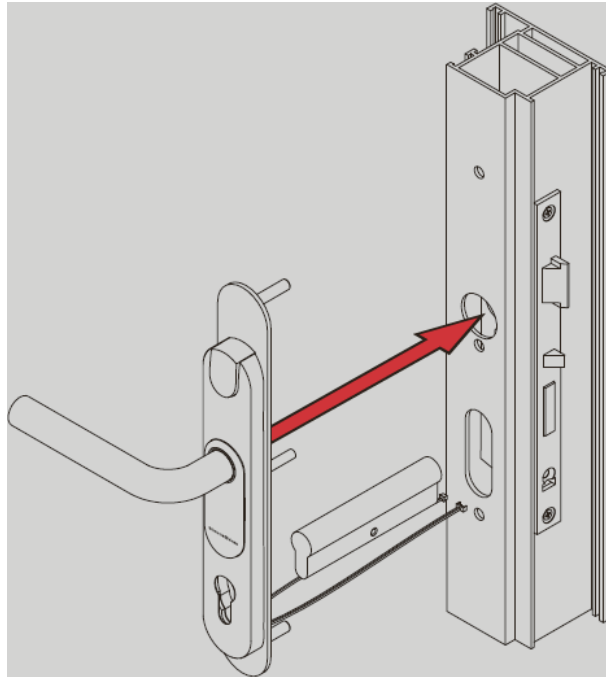
8.11.4.4 Step 3: Mounting the outside fitting adapter plate



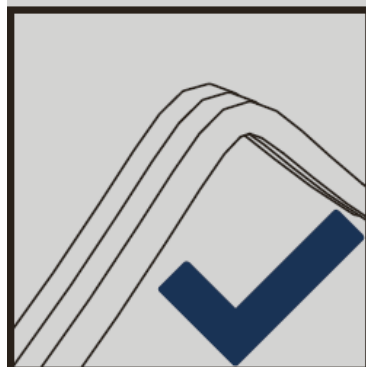
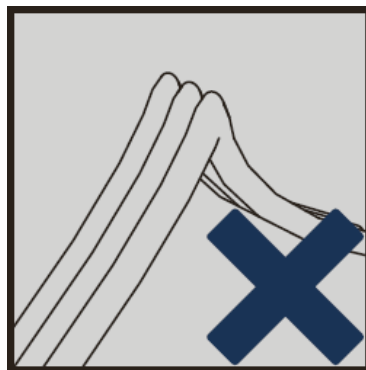
1. Insert the special sleeve nut through the adapter plate.
2. Turn the adapter plate over.
3. Screw the adapter plate onto the outer fitting so that the special sleeve nut cannot fall out.

4. Screw the sleeve nuts onto the adapter plate.
↳ Outside fitting adapter plate is mounted.

8.11.4.5 Step 4: Mounting the outside fitting

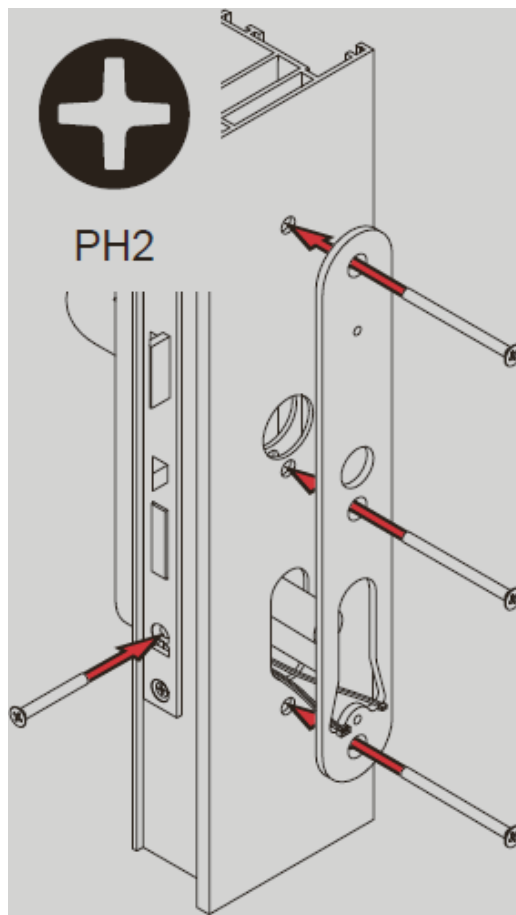


- Insert the prepared outer fitting with the adapter plate into the prepared door and run the cables through the door without bending the cables.

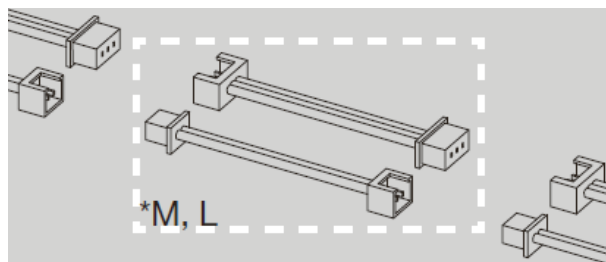


- ↳ Outer fitting is mounted.

8.11.4.6 Step 5: Mounting the inside fitting



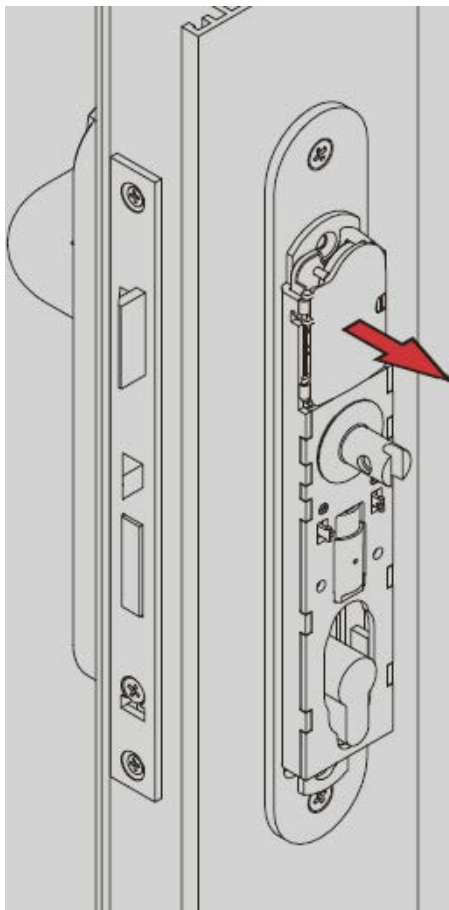
1. Screw the inserted external fitting from the inside of the door to the internal fitting adapter plate.
2. Connect the extension cables (only for M and L version).



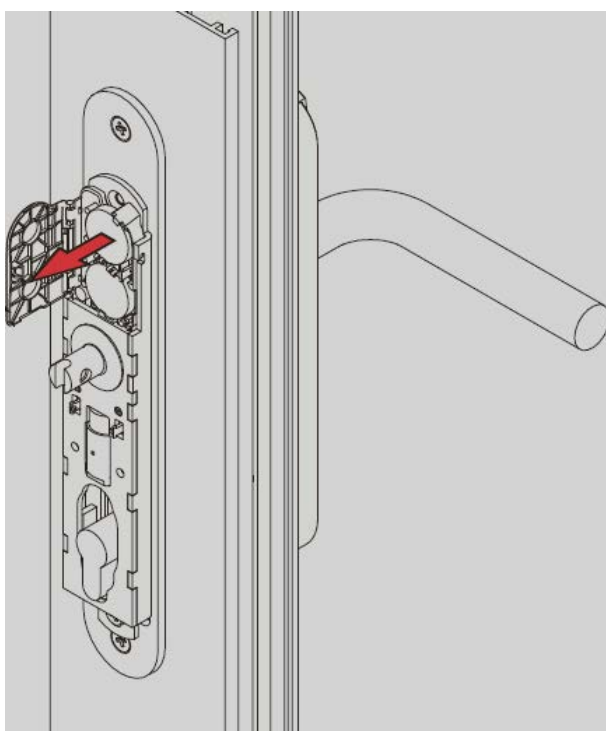
3. Lead the cables of the outside fitting to the inside.
4. Connect the cables.
5. Insert a blank cylinder.
6. Screw on the blank cylinder.
 - ↳ The inside fitting is mounted.

8.11.4.7 Step 6: Screw on the inside fitting

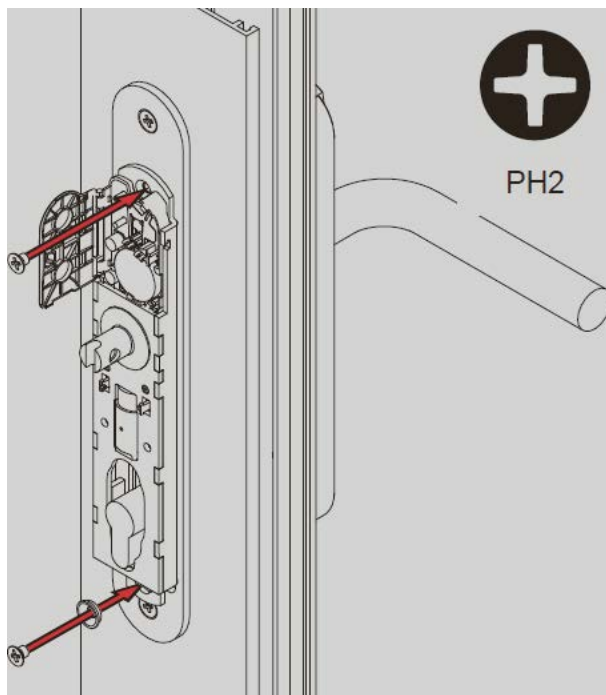
1. Open the battery compartment.



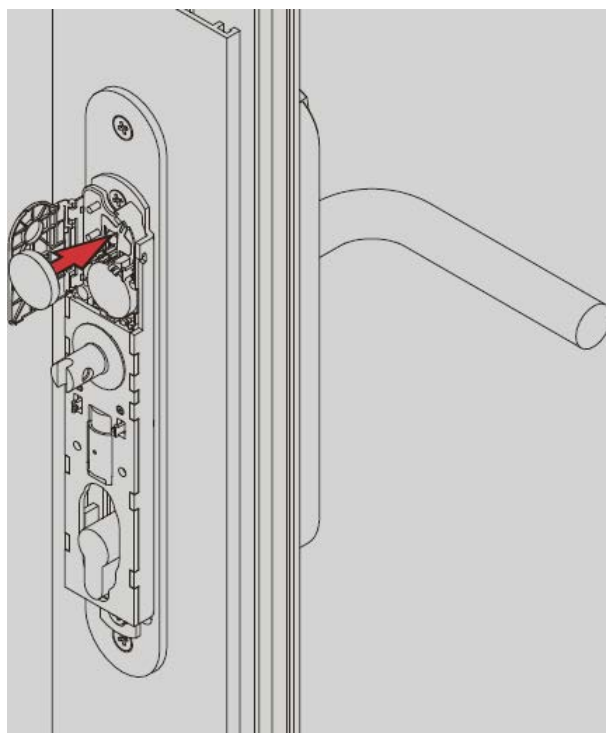
2. Remove the uppermost battery.



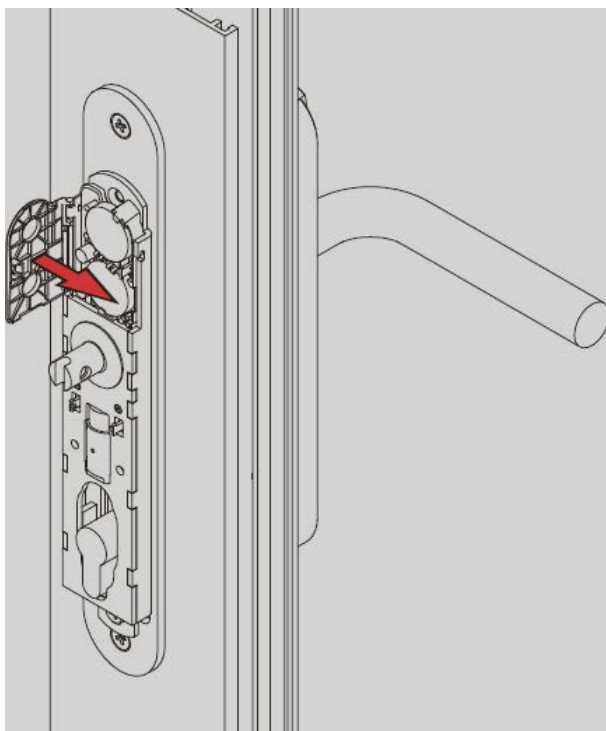
3. Screw on the inside fitting.



4. Insert the battery back into the compartment.



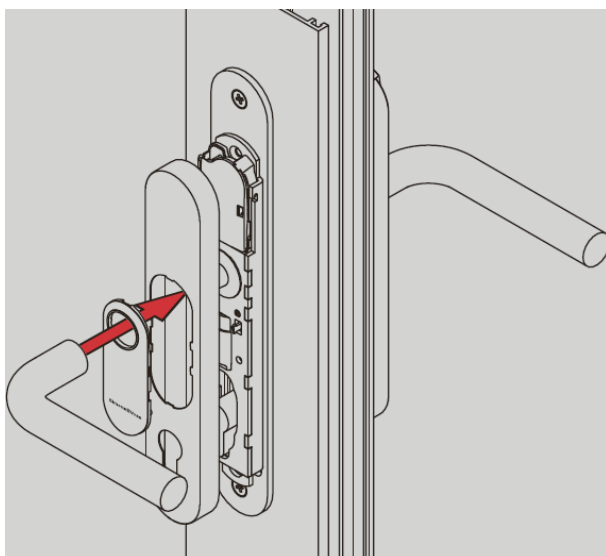
5. Close the battery compartment again.



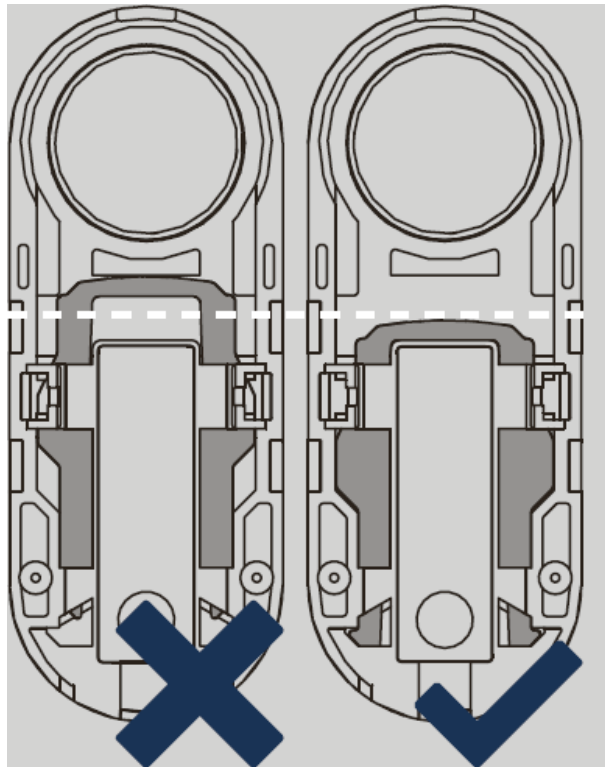
↳ The inside fitting is screwed on.

8.11.4.8 Step 7: Mounting the inside handle

Attach the inside handle

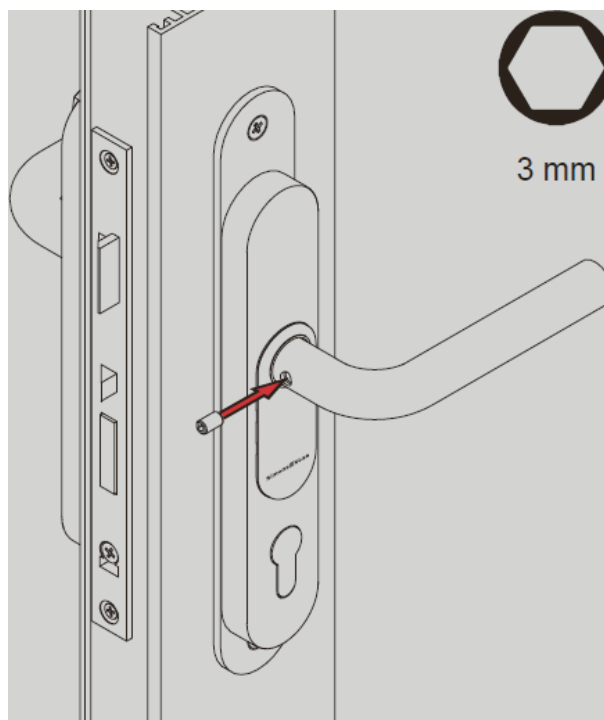


1. Make sure that the slide of the cover is in the position shown.



2. Clip the cover into the inlay.
3. Push the inlay with the cover onto the fitting.
4. Attach the handle.
 - ↳ Inside handle is attached.

Secure the inside handle

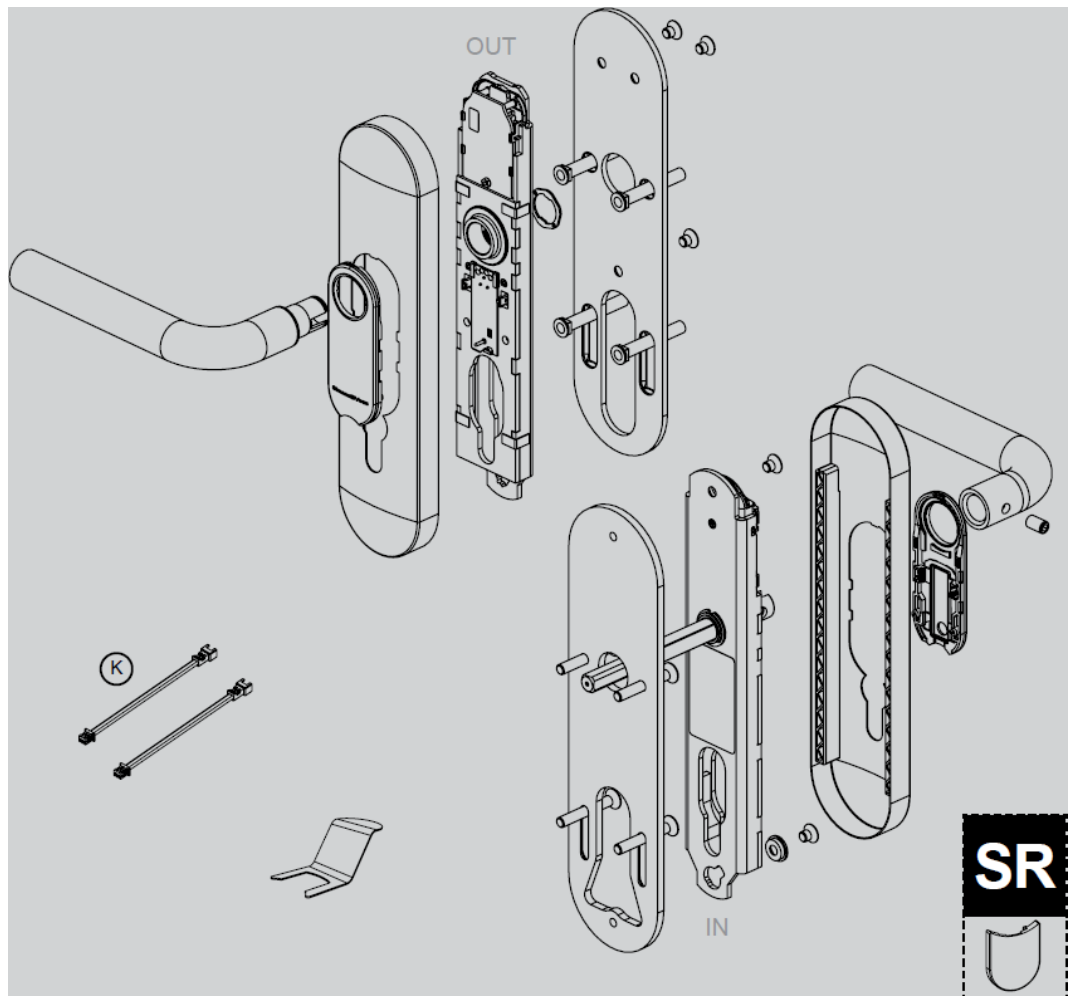


- Screw in the set screw of the inside handle.
- ↳ The inside handle is secured.
- ↳ SmartHandle is mounted.

8.12 Escutcheon fixing with/without MO (RMO)

The cable connector is located on the inside for all variants.

8.12.1 Contents of packaging



- 2 x inlays
- 2x cover (shield)
- 1 x outer fitting
- 1 x outer fitting adapter plate
- 4x special sleeve nut with square head for adapter plate external fitting
- 1 x outer handle, including handle fastener piece
- 1 x internal fitting
- 1 x internal fitting adapter plate

- 4x middle screw for adapter plate Internal fitting
- 1 x internal handle, including hexagon socket screw
- 5x short screw
- 1x special washer
- 1x set of extension cables (M and L version only)
- 1x plastic plate for MO cut-out (Swiss-Round version)
- 1 x quick start guide
- 1 x installation tool for inlay

8.12.2 Tools required

You need the following tools to install the SmartHandle 3062, which are not included:

- Allen key (3 mm) to fit handle
- Spanner (19 mm)
- Phillips screwdriver (type PH2)

8.12.3 Installation instructions MO

- Batteries are already installed when the product is delivered!
- When installing the digital SmartHandle 3062, ensure that there are no sources of (low-frequency) interference in the surrounding area.
- The SmartHandle 3062 must be fitted, so that it is flush with the door. You must install the product as specified to ensure that it is structurally stable and will have a long service life.
- You must not strike parts of the SmartHandle 3062 during installation.
- The two inlays in the cover are locked into position with a clip mechanism. These may only be removed using the SimonsVoss installation tool.
- No water or moisture must penetrate the door or reach the inner side. In case of moisture, always use the WP version.
- Programme the SmartHandle 3062 before installation!
- The SmartHandle 3062 may be difficult to fit in mortise locks with a retaining nut. You must not alter the retaining nut in any way, using a file, for example; otherwise, the handle's guide piece will no longer fit accurately.
- When installing SmartHandle, you must ensure that the cable does not get caught or fitted too tightly to the door.

- Conventional fastening system, including MO: When fitting the handle into position on the door with the two screws, make sure that the electronics are not subject to mechanical load and are not damaged in any other way.
- For MO: The mechanical cylinder is not included in the supplied package for the SmartHandle 3062 with MO.
- Always install a locking cylinder. If necessary, use a blank cylinder.

8.12.4 Installation



NOTE

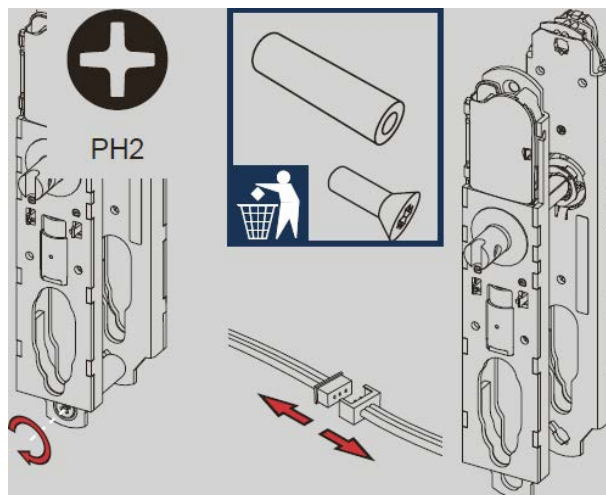
Cable through lock cylinder opening

If the locking cylinder opening is very small, the cables are more difficult to install.

- In this case, slightly enlarge the locking cylinder opening.

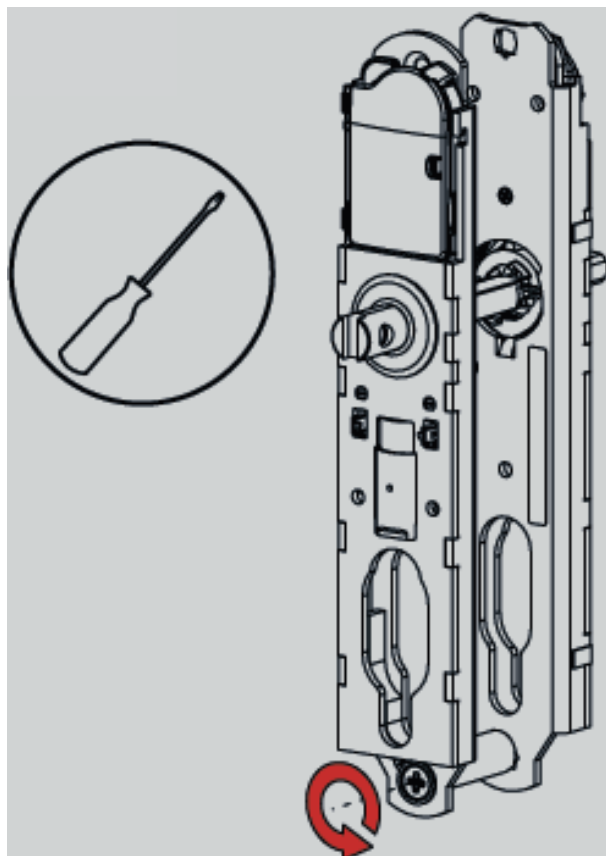
8.12.4.1 Step 1: Preparing the fittings

Separate the halves



✓ SmartHandle programmed.

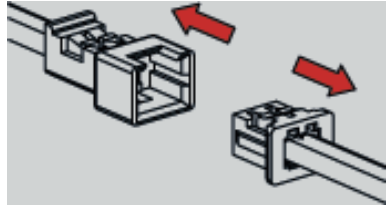
1. Loosen the screw connection that connects the inside and outer fittings.



2. Dispose of the screw and the plastic sleeve.

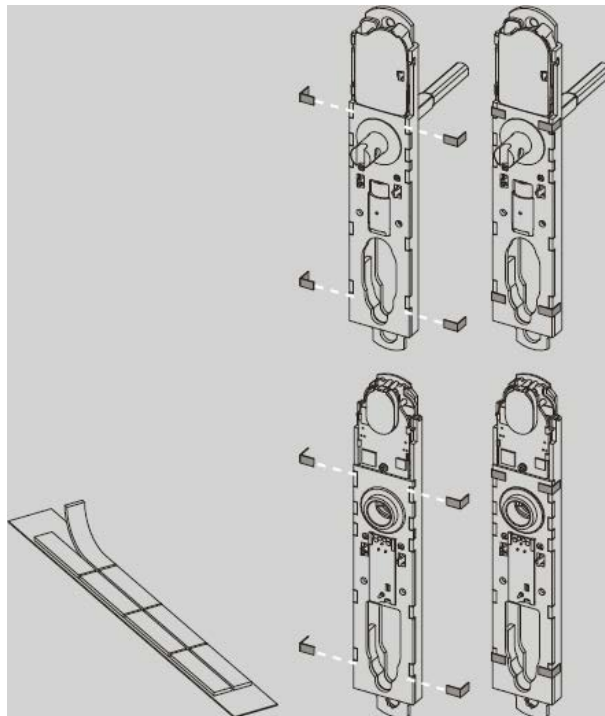


3. Disconnect the three-pin cable that connects the inside fitting and the outer fitting.



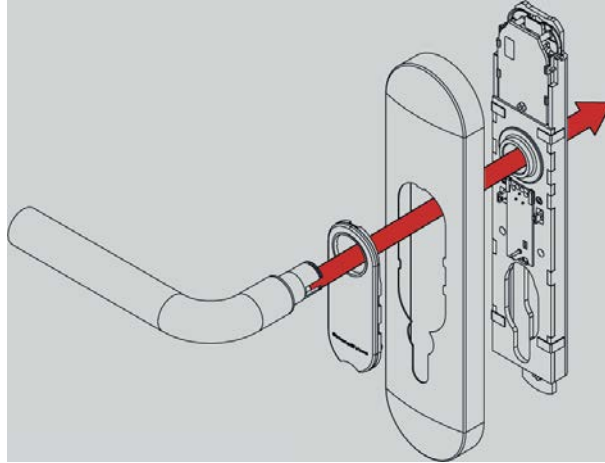
4. If necessary, also disconnect the cable of the LockNode of the inside fitting.
↳ Halves are separated.

Attaching damper foams

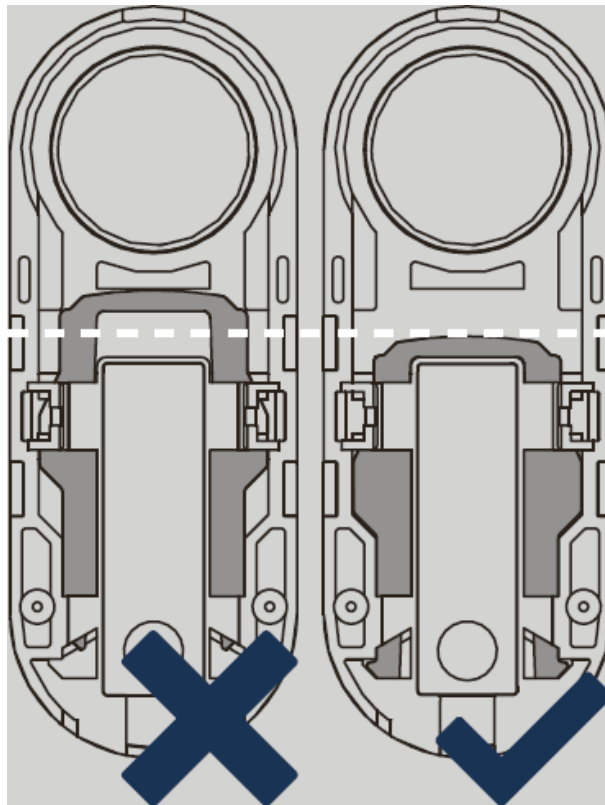


- Glue the damper foams to the fittings as shown.
↳ Damper foams are glued on.

8.12.4.2 Step 2: Mounting the outside handle

Attach the outside handle

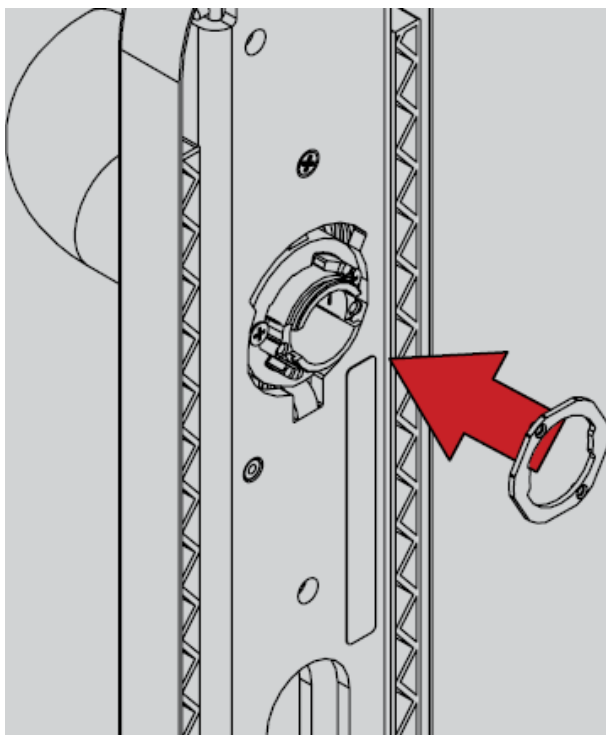
1. Make sure that the slide of the cover is in the position shown.



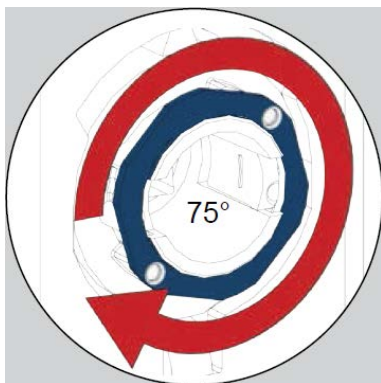
2. Push the cover (shield) together with the cover onto the fitting.
3. Insert the handle.
↳ Outside handle is attached.

Secure the outside handle

1. Put the retaining ring on the inside of the outside handle.



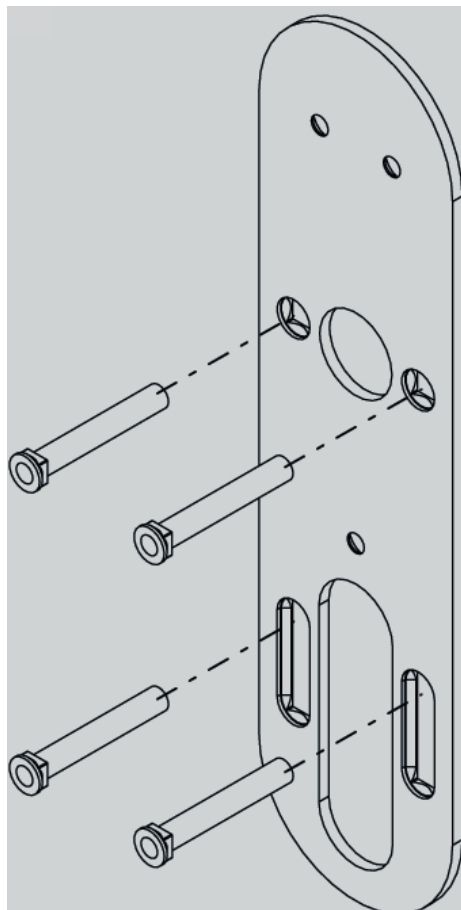
2. Turn the retaining ring clockwise by about 75°.



↳ The outside handle is secured.

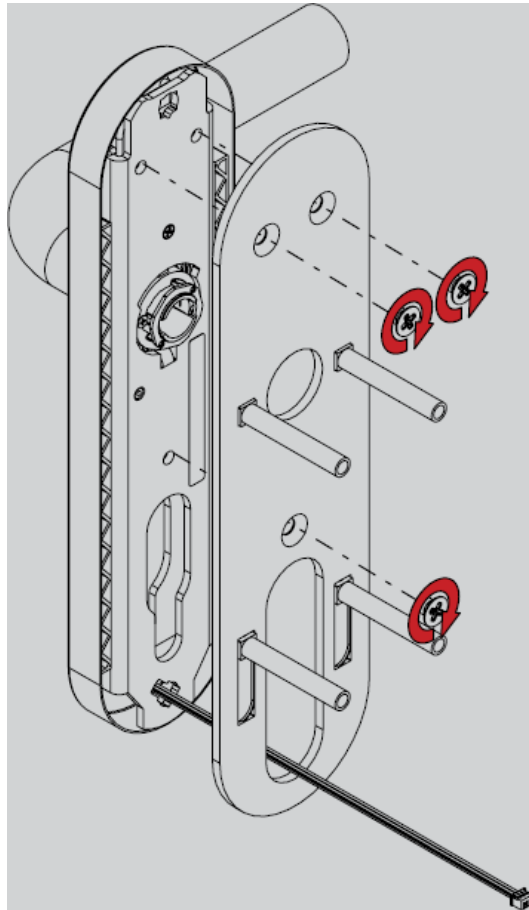
8.12.4.3 Step 3: Mounting the outside fitting adapter plate

1. Insert the special sleeve nut through the adapter plate.

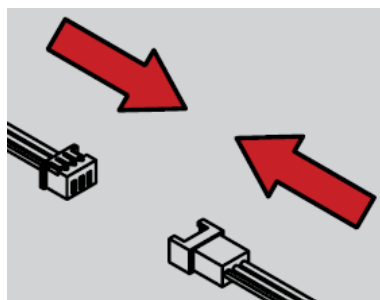


2. Turn the adapter plate over.

3. Screw the adapter plate onto the outer fitting so that the special sleeve nuts cannot fall out.



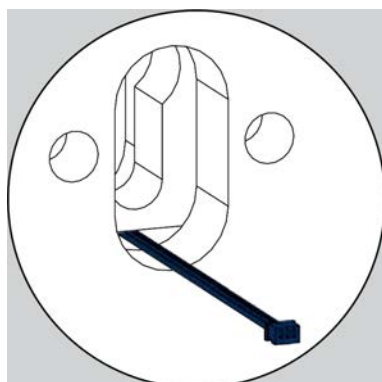
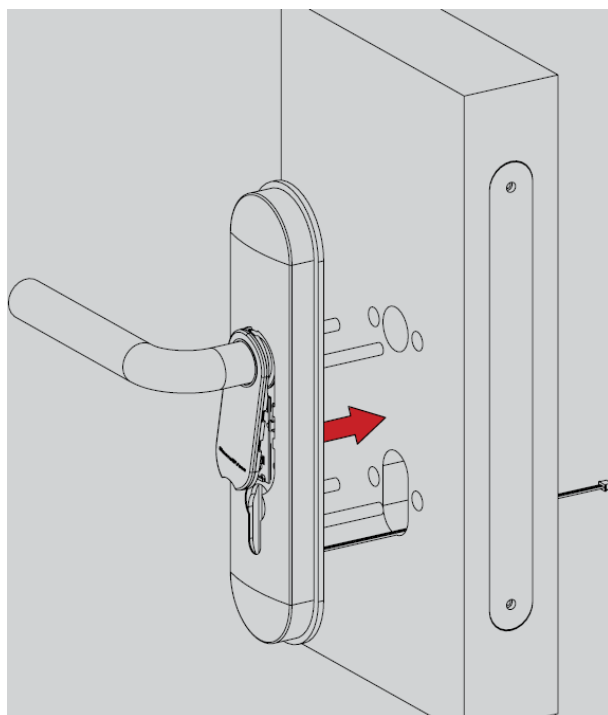
4. Screw the sleeve nuts onto the adapter plate.
5. If necessary, connect the extension cables (M and L version).

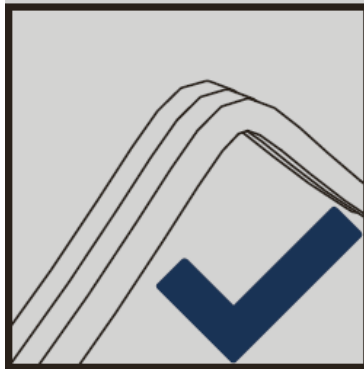
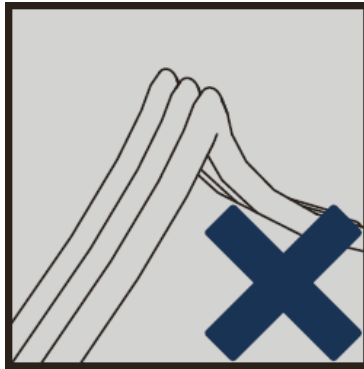


↳ Outside fitting adapter plate is mounted.

8.12.4.4 Step 4: Mounting the outside fitting

- Insert the prepared outer fitting with the adapter plate into the prepared door and run the cables through the door without bending the cables.

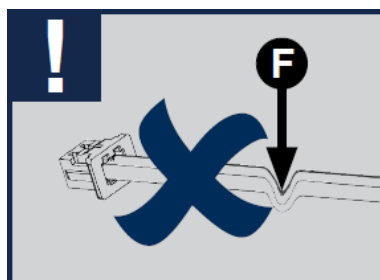
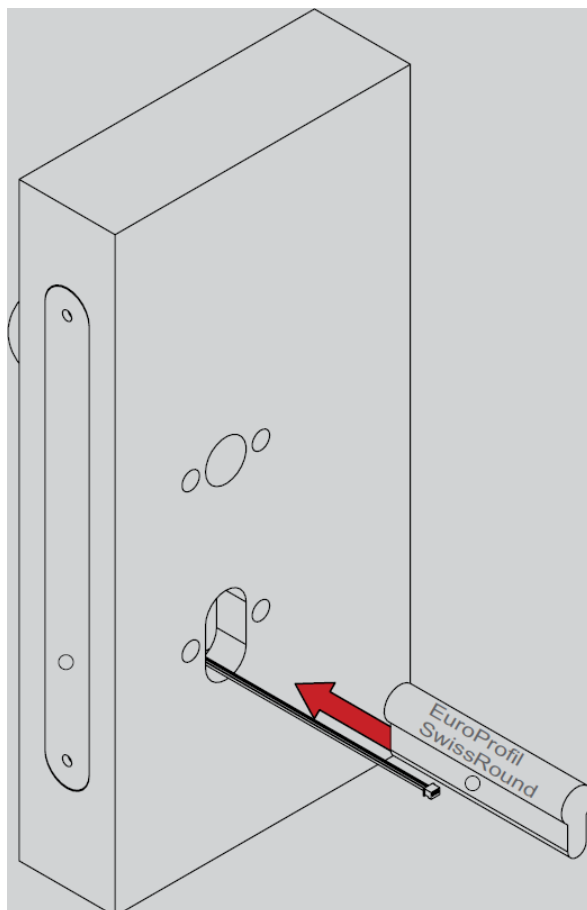




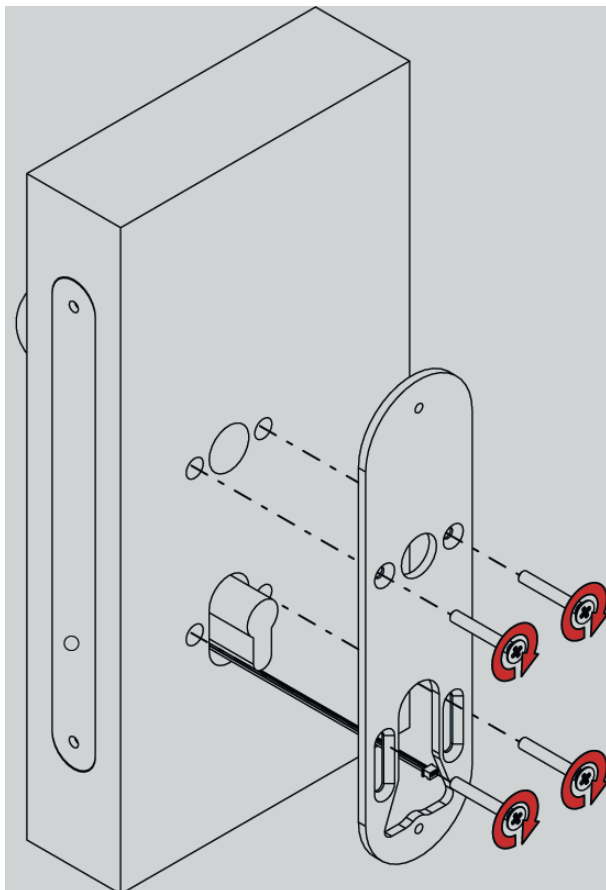
↳ Outer fitting is mounted.

8.12.4.5 Step 5: Mounting the inside fitting

1. If necessary, insert your locking cylinder without bending the cables.

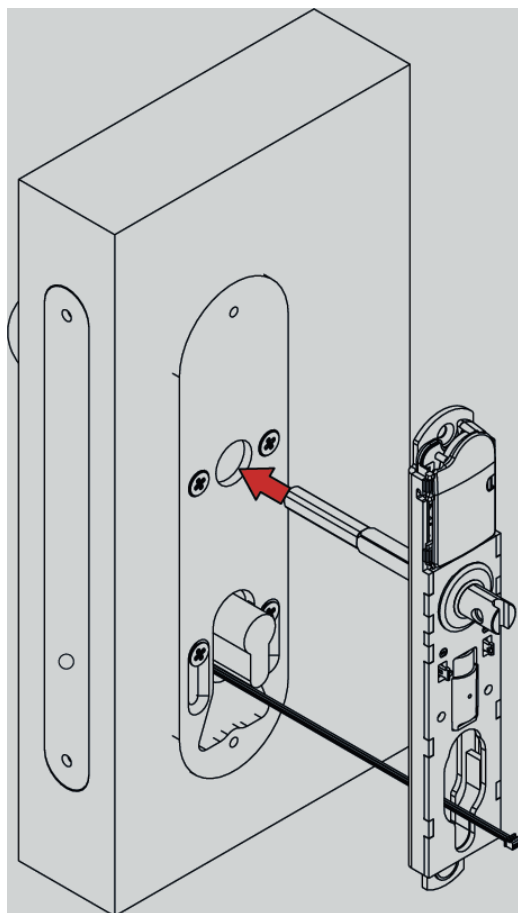


2. Screw the inserted external fitting from the inside of the door to the internal fitting adapter plate.



3. Lead the cables of the outside fitting to the inside.

4. Place the inside fitting on the plate.

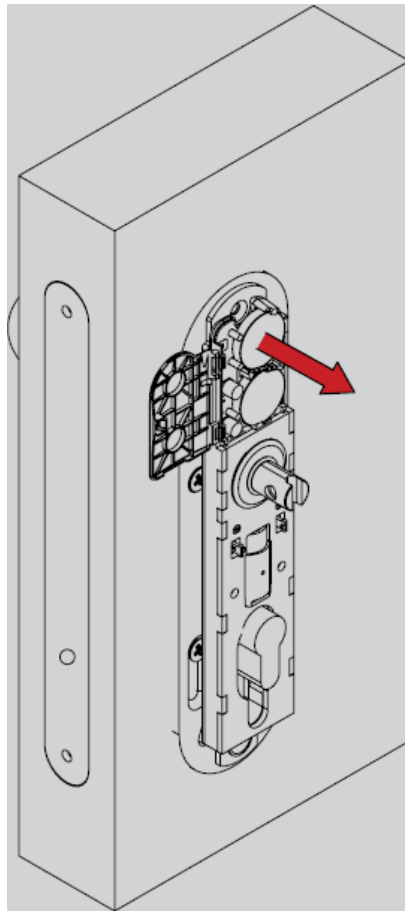


↳ The inside fitting is in place.

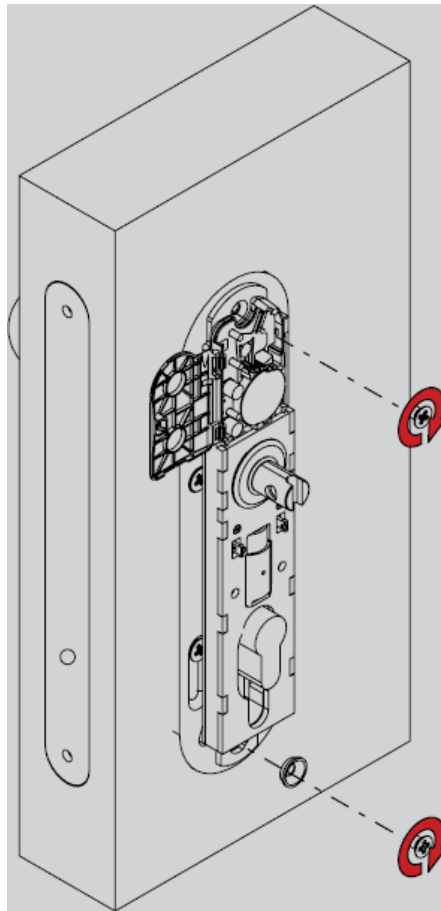
8.12.4.6 Step 6: Screw on the inside fitting

1. Open the battery compartment.

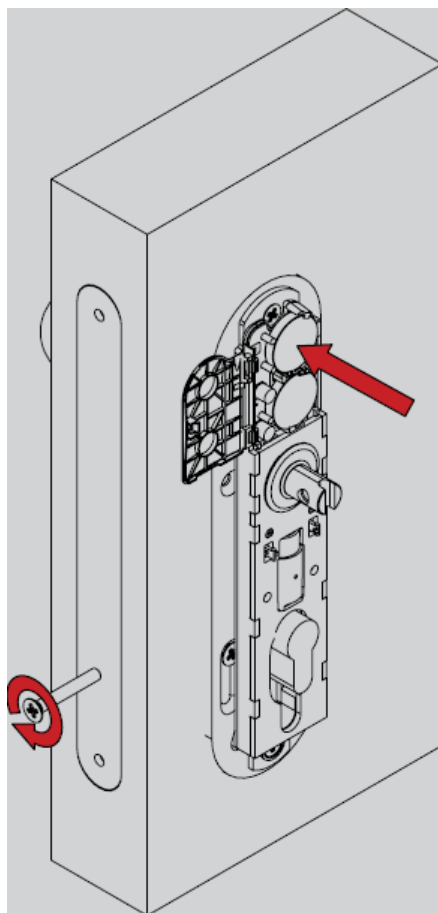
2. Remove the uppermost battery.



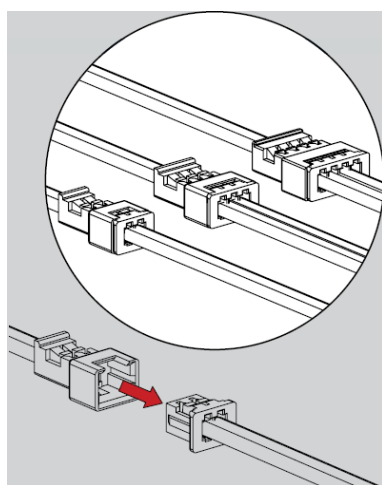
3. Screw on the inside fitting.



4. Reinsert the battery and screw the cylinder tight.



5. Close the battery compartment again.
6. Connect all cables.

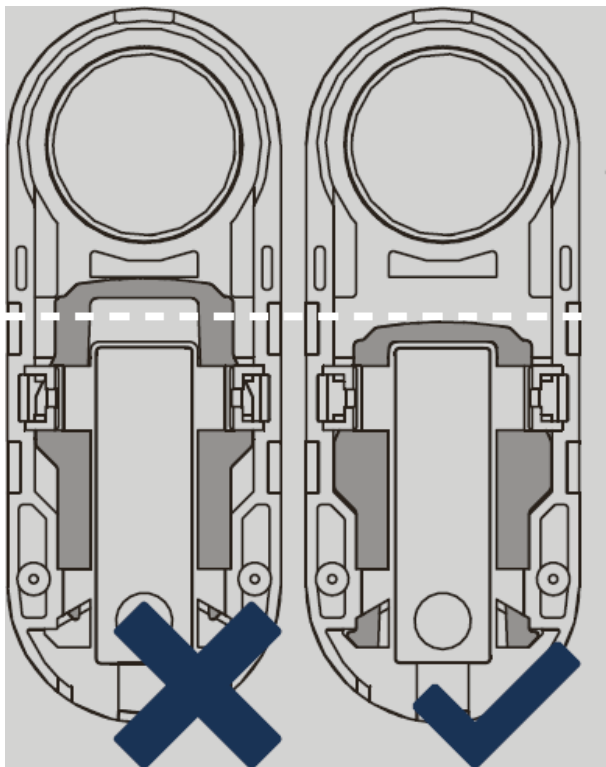


↳ The inside fitting is screwed on.

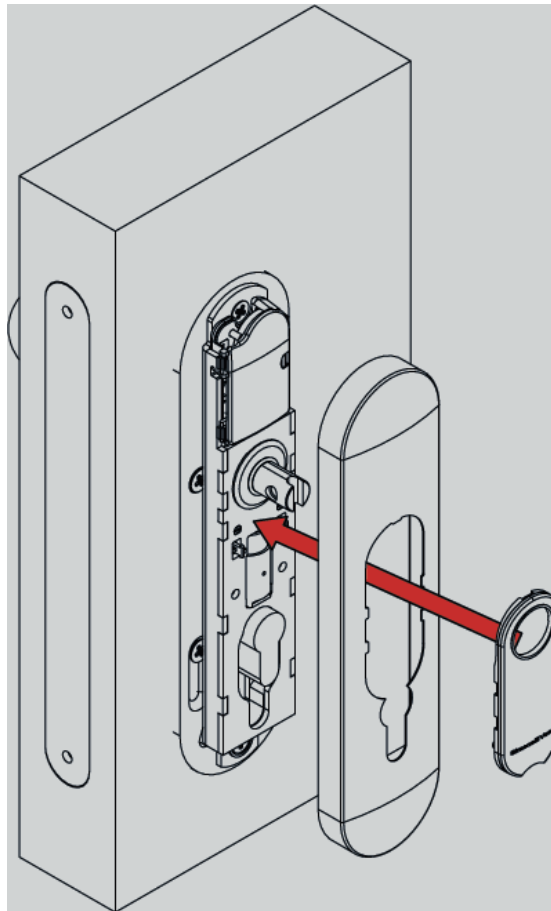
8.12.4.7 Step 7: Mounting the inside handle

Attach the inside handle

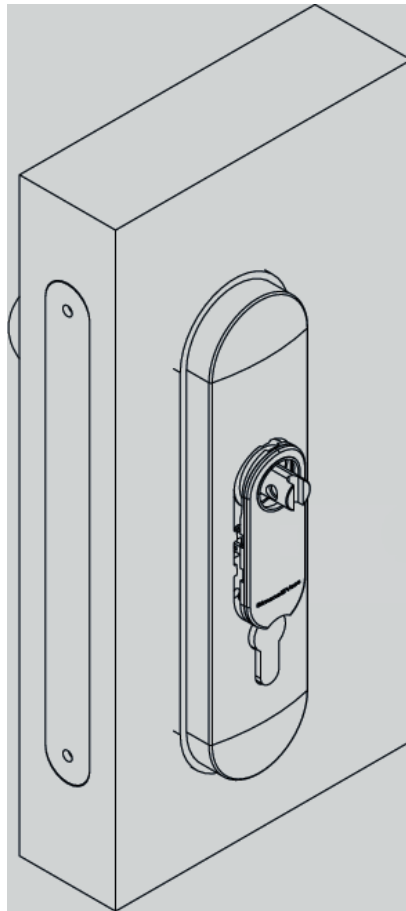
1. Make sure that the slide of the cover is in the position shown.



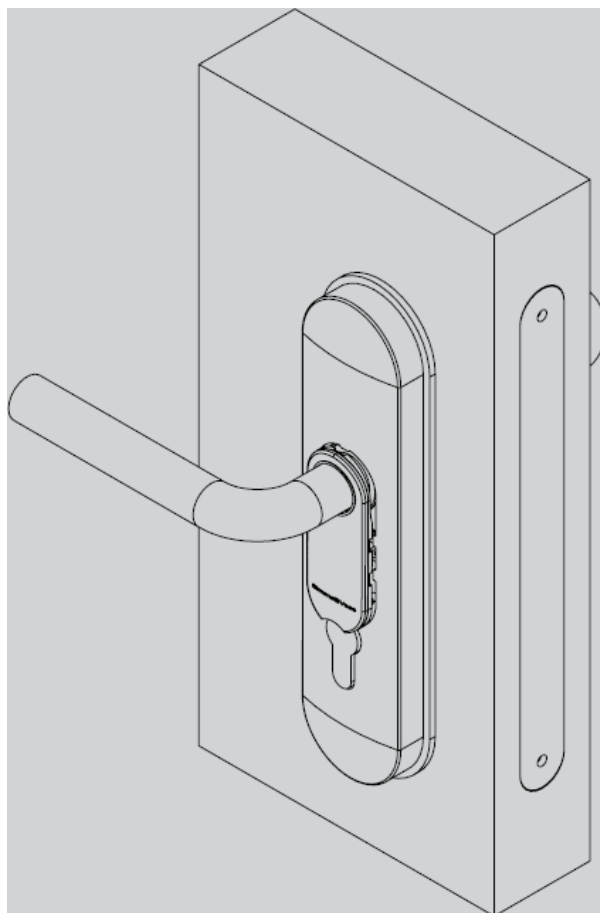
2. Push the cover (shield) together with the cover onto the fitting.



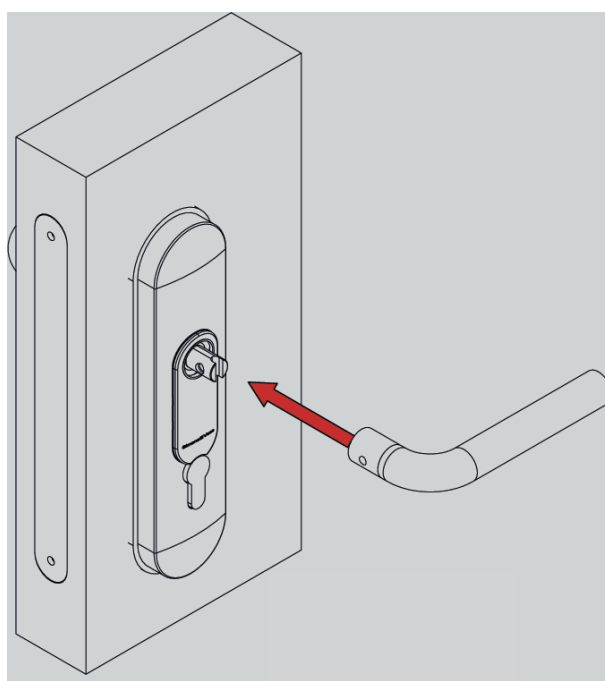
3. Press the inside of the cover firmly.



4. Press the cover on the outside firmly.



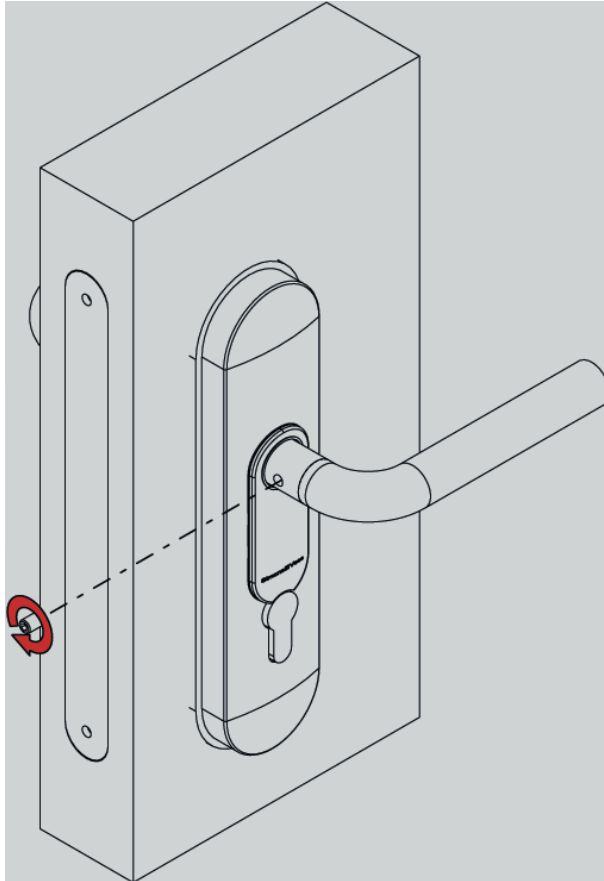
5. Attach the handle.



↳ Inside handle is attached.

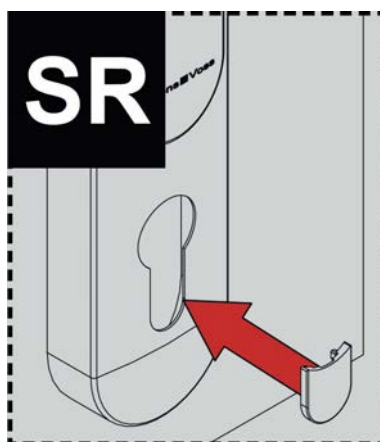
Secure the inside handle

1. Screw in the set screw of the inside handle.



↳ The inside handle is secured.

2. If you have a Swiss Round version, clip the plastic cover onto the MO cut-out.



↳ SmartHandle is mounted.

8.13 LockNode (LNI)

8.13.1 Important

IMPORTANT

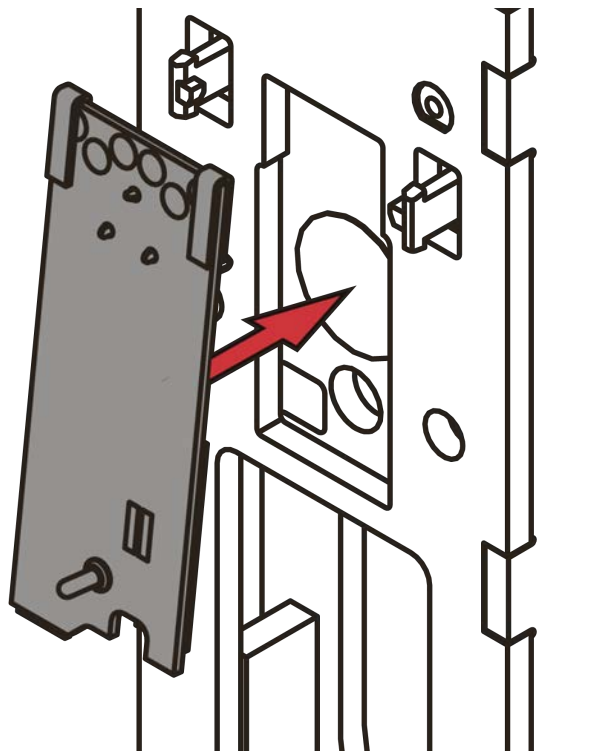
Malfunctions due to damaged connecting cable

A damaged connecting cable may no longer be able to transmit the signal correctly. Functional errors may occur.

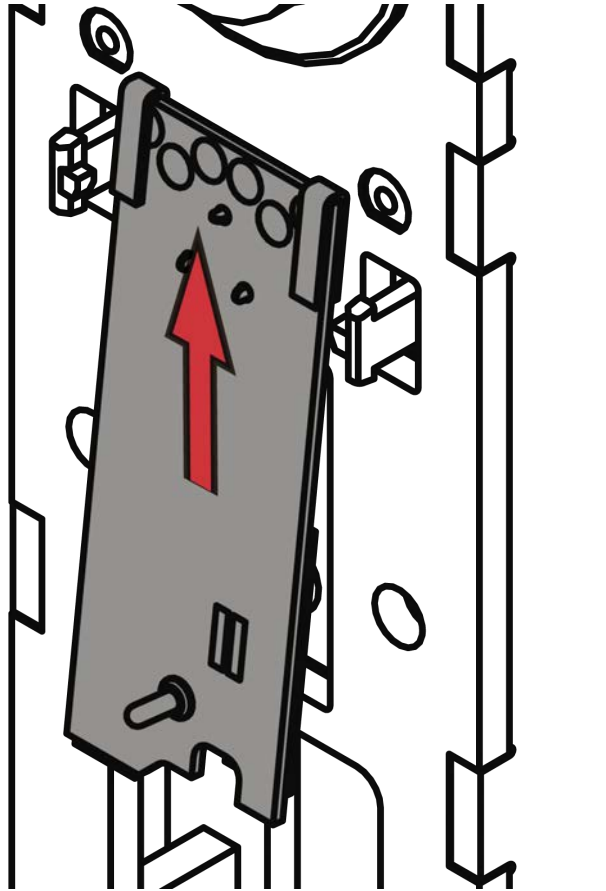
1. Do not damage the connecting cable.
2. If the covers are difficult to put on, check the position of the LockNode.

8.13.2 Installation

- ✓ SmartHandle cover and inlay removed (see Quick Start Guide or SmartHandle manual).
 - ✓ Grounding completed (e.g. on radiator)
1. Place the LockNode on the plate of the SmartHandle subassembly as shown.

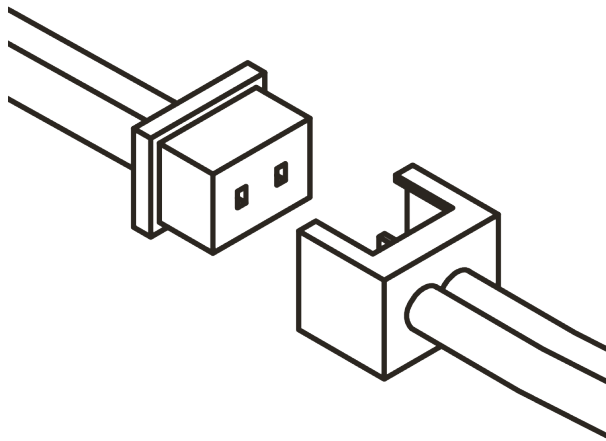


2. Push the LockNode as far as it will go in the direction of the arrow.



↳ LockNode lies flat on the subassembly.

3. Connect the connecting cable of the LockNode with the connecting cable of the SmartHandle.



↳ SmartHandle beeps and flashes red 4 times.

4. Store excess connection cable in the SmartHandle subassembly.

IMPORTANT**Malfunction due to weather influences**

Even in the WP version, the plug connections are not splash-proof. If moisture reaches the contacts, data transmission may be disturbed.

- Store the cable connectors in the inside area of the SmartHandle.

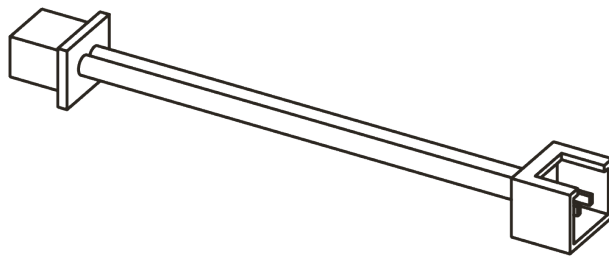
5. Replace the cover and inlay of the SmartHandle (see Quick Start Guide or SmartHandle Manual).

The gold-coloured metal clip on the LockNode connects the LockNode mechanically and electrically (positive pole) with the SmartHandle. When you have mounted the cover and inlay again, the spring-loaded metal pin contacts the inlay (the inlay then acts as an antenna).

8.13.2.1 Adapter cable SO

The installation of the LockNode in the following versions of the SmartHandle Scandinavian Oval requires an adapter cable included in the scope of delivery:

- SHB****051***3**
- SHB****961***3**
- SHE****051***3**



This adapter cable connects the LockNode on the outside of the fitting with the electronics on the inside of the fitting.

IMPORTANT**Malfunction due to moisture**

The adapter cable is not suitable for use in humid environments.

- Do not use the adapter cable for the WP versions of the SmartHandles mentioned.

9. Programming

SmartHandles do not need to be taken out of their packaging for programming as they can be programmed while still in the box.

9.1 SmartHandle G1

LSM version 3.0 or higher and a Smart CD G2 programming device or newer are required for its use.

Please select 'Locking Cylinder G1' as the locking type in the case of SmartHandle G1. SmartHandle is detected and incorporated into the locking plan during programming and then displayed in the lock configuration. All the same functions as in TN4 cylinders (G1) are available.

- Open the management and programming software (LSM) and select in the database.
- Select locking system (if several are available)
- Select 'New lock'
- Select 'Locking Cylinder G1' as lock type
- Give the lock a name
- You can select "Section" as an option
- Confirm by pressing 'Accept.'
- Highlight the lock (so that it appears in BLUE)
- Place the SmartHandle at a distance of about 10 cm from the programming device, fitting the cover on the electronics side if possible.
- Select 'Programming --> Locking device'
- Click 'Programme'
- Wait until the programming process is complete

9.2 SmartHandle G2

LSM version 3.1 or higher and a Smart CD G2 programming device or newer are required to use the SmartHandle.

- Open the management and programming software (LSM) and select in the database.
- Select locking system (if several are available)
- Select 'New lock'
- Select 'SmartHandle G2' as lock type
- Give the lock a name
- You can select "Section" as an option

- Confirm by pressing 'Accept.'
- Highlight the lock (so that it appears in BLUE)
- Place the SmartHandle at a distance of about 10 cm from the programming device
- Select 'Programming --> Locking device'
- Click 'Programme'
- Wait until the programming process is complete

9.3 SmartHandle MP

SmartHandle MP can only be supplied in G2 variants.

A SimonsVoss card programming device is also required to programme the SmartHandle. Before using SmartCards/SmartTags, you need to configure their use in locking system properties (see LSM 'Card management' manual for further details).

- Open the management and programming software (LSM) and select in the database
- Select locking system (if several are available)
- Select 'New locking device'
- Select "SmartHandle G2 Mifare" as locking device type
- Give the locking device a name
- You can select "Section" as an option
- Check 'Card interface' under Configuration
- Confirm by pressing 'OK' and 'Accept'
- Highlight the locking device (so that it appears in BLUE)
- Position the programmer on the SmartHandles card reader.
- Select "Programming --> Locking device"
- Click 'Programme'
- Wait until the programming process is complete

10. Configuration

If SmartHandle is selected as the lock type in the SimonsVoss software (LSM version 3.1 SP 1 and higher), the following configuration options are available:

Target	Actual
Locking system ID <input type="text" value="9215"/>	Locking system ID <input type="text" value="0"/>
Lock ID <input type="text" value="168"/>	Lock ID <input type="text" value="0"/>
Pulse length <input type="text" value="5"/> Sec.	Pulse length <input type="text" value="0"/> Sec.
<input type="checkbox"/> Audit trail <input type="checkbox"/> Time zone management <input type="checkbox"/> Log unauthorised attempts <input type="checkbox"/> Gateway <input type="checkbox"/> Flip Flop <input type="checkbox"/> No acoustic battery warnings <input type="checkbox"/> Time switching <input type="checkbox"/> Permit exceptions in time zone management <input type="checkbox"/> No audible feedback <input checked="" type="checkbox"/> Card interface	<input type="checkbox"/> Audit trail <input type="checkbox"/> Time zone management <input type="checkbox"/> Log unauthorised attempts <input type="checkbox"/> Gateway <input type="checkbox"/> Flip Flop <input type="checkbox"/> No acoustic battery warnings <input type="checkbox"/> Time switching <input type="checkbox"/> Permit exceptions in time zone management
Last modified Time zones: nonexistent Public holiday lists: nonexistent	Firmware <input type="text" value="0.0.00"/>
<input type="button" value="Extended configuration"/>	Public holiday list valid until nonexistent Last programmed Time zones: nonexistent Public holiday lists: nonexistent
	Attention! Changing this data can make it impossible to program the lock

10.1 Impulse length (G2)

SmartHandle is pre-set to engage for about 5 seconds. The time that it engages can be freely configured between 1 and 25 seconds for each lock in the software. This does not result in a shorter battery life.

10.2 Access control

This function is only available in the ZK version.

■ G1

Up to 3,000 most recent transponder access events are logged in SmartHandle with the date, time and transponder ID (TID).

■ G2

Up to 3,000 most recent transponder access events are logged in SmartHandle with the date, time and transponder ID (TID).

■ Hybrid

Up to 3,000 most recent transponder /smart card access events are logged in the SmartHandle with the date, time and transponder ID (TID).

■ MP

Up to 3,000 most recent smart card access events are logged in the SmartHandle with the date, time and transponder ID (TID).

10.3 Time zone control

This function is only available in the ZK version.

A time zone plan can be uploaded and the transponders/smart cards are approved or blocked according to their time zone group. You can use a time zone plan to carry out a time-controlled switch-over.

■ G1

5 + 1 time zone groups in any time zone plans

■ G2

100 + 1 time zone groups in any time zone plans

10.4 Logging unauthorised attempted access events

This function is only available in the ZK version.

Normally, only authorised transponder /SmartCard operations are logged. If you also wish to record attempts to open the door with a non-authorised transponder or SmartCard, you need to select this option.

Unauthorised attempted access events include:

■ Attempted access without authorisation

■ Attempted access outside the pre-set time zone

■ Attempted access when the alarm is activated and a SimonsVoss Block Lock is being used at the same time

As a general rule, only transponders/SmartCards belonging to the same locking system are logged, i.e. they must feature the same locking system ID (SID).

10.5 Flip flop

Pulse mode (default setting) is switched off and the pulse duration is no longer in effect. When flip flop mode is activated, the SmartHandle changes its status from engaged to disengaged or vice versa each time it is activated using a transponder/SmartCard. This mode is suitable for situations such as when a door needs to be used freely without a transponder/SmartCard to allow visitors to enter, for instance

10.6 No audible battery warnings

This function allows you to deactivate the audible battery warning signals, so as not to disturb patients in a hospital, for example. However, this may mean that the SmartHandle batteries discharge and switch to emergency battery storage mode or freeze mode without users being able to inform the locking system administrator.

We therefore recommend reading the battery status at regular intervals. You do not need to do this in the first year unless the door is used a great deal.

10.7 Time switch-over function

This function is only available in the ZK version.

When the time switch-over is activated, a time zone plan needs to be uploaded beforehand. This allows the SmartHandle to remain unlocked during the indicated times (in Time Zone Group 5 - Locking). During the day, users can open the door when required while only a transponder or SmartCard will open it at night.



NOTE

The lock does not automatically lock after the handle has disengaged. You need to fit a self-locking panic lock to provide this function.

If you select time changeover, click on 'Advanced configuration'. The following options are available to you in the 'Time-controlled switch-over' box:

Soll	Ist
Zeitgesteuerte Umschaltung	Zeitgesteuerte Umschaltung
<input type="radio"/> Manuelles Auskuppeln	<input type="radio"/> Manuelles Auskuppeln
<input type="radio"/> Automatisches Auskuppeln	<input type="radio"/> Automatisches Auskuppeln
<input type="radio"/> Manuelles Einkuppeln	<input type="radio"/> Manuelles Einkuppeln
<input type="radio"/> Automatisches Einkuppeln	<input type="radio"/> Automatisches Einkuppeln
Transponder aktiv:	Transponder aktiv:
<input type="radio"/> immer	<input type="radio"/> immer
<input type="radio"/> nur, wenn ausgekuppelt	<input type="radio"/> nur, wenn ausgekuppelt

Manual disengage

SmartHandle does not disengage after the pre-set time interval until an authorised transponder or SmartCard makes a booking after this point in time.

Automatic disengage (normal setting)

SmartHandle disengages automatically after the point in time specified in the time zone plan.

Manual engage (normal setting)

SmartHandle does not disengage automatically after the pre-set time interval until an authorised transponder or SmartCard makes a booking after this point in time.

Automatic engage

SmartHandle engages automatically after the point in time specified in the time zone plan (important: people who are not authorised to enter may possibly gain access to the building or room concerned in such a case. Security should therefore be provided at the entrance - by the presence of a receptionist, for example).

The following options are available to you in the 'Transponder active' box:

Always

Transponders and SmartCards are not normally operative during the release period. However, if you wish a door not to be freely used when necessary (when everybody has left the building, for example), select this option. This allows the time switch-over to be interrupted and activated again manually.

Only if disengaged

In this operating mode, the transponder or SmartCard is not active during the release interval, i.e. the smart handle is engaged, transponders and SmartCards are not operative.

10.8 Permit exception in time zone management (G2)

This function is available in LSM editions 'LSM.BUSINESS' and 'LSM.PROFESSIONAL' or higher and in the 'LSM.RM' software module (resource management). It must also be possible to address the locking devices concerned via the WaveNet to use this function.

You can use the following functions with the resource management:

- Setting of a start date for an authorisation
- Setting of an end date for an authorisation
- Exception rules for time zone groups

See the LSM Resource Management manual for more detailed information.

10.9 No audible programming feedback signals

You should check this field if you do not want audible programming feedback signals to be emitted while you are programming a SmartHandle, for example.

This function is particularly advantageous when programming via the WaveNet (network) as the audible signal from SmartHandle cannot be heard as a general rule due to distance.

10.10 Card interface (G2)

You need to activate the 'Card interface' box in the locking device properties when using a SmartHandle Hybrid or MP.

10.11 Overlay mode (G1)

This function is only available in G1 SmartHandle.

This mode applies to the whole locking system and must be selected when the locking system is created. Replacement transponders can overwrite their corresponding original transponders. The original transponder is blocked once the replacement transponder is used for the first time.

10.12 Long release

The 'Long release' function enables you to extend the engage interval. This does not result in a shorter battery life.

G1:

The locking device engage interval is doubled from 5 to 10 seconds (**locking device function**).

G2:

The locking device engage interval is doubled (**transponder function**). The locking device engage interval can be configured as required. See *Impulse length (G2)* [▶ 151]

10.13 Omron (G1)

All product variants can be operated in Omron mode. Select this option on both SmartRelay and SmartHandle if you wish SmartRelay Advanced (G1) to transmit transponder data to a third-party system and a remote opening command to be sent from SmartRelay to a SmartHandle after clearance by the third-party system.

**NOTE**

If you use this configuration, it is no longer possible to open SmartHandle with a transponder.

You can find a detailed description in the 'SmartRelay' manual.

10.14 Storage mode (G1)

All SmartHandles G1 are delivered in storage mode to save battery capacity. SmartHandles cannot be addressed by transponders while in this mode. Storage mode is deactivated when the SmartHandles are programmed for the first time. It is also possible to remove storage mode manually using programming software without creating a locking plan.

10.15 Freeze mode (G2)

If the second battery warning level is ignored, the SmartHandle automatically switches to freeze mode. Once at this warning level, SmartHandle can now only be activated using a G2 battery replacement ID medium. Freeze mode prevents the batteries from being discharged completely, so that the locking device can be opened one more time.

10.16 DoorMonitoring function

Activate the following settings to configure the DoorMonitoring function and display:

10.16.1 Locking device properties: Configuration/Data: DoorMonitoring SmartHandle

You can configure the DoorMonitoring functions in the SmartHandle using the "Monitoring configuration" button on the "Configuration/Data" tab on the locking device.

This function is only available if the SmartHandle features the DM property and this was also directly added into the LSM software as "G2 SmartHandle DoorMonitoring".

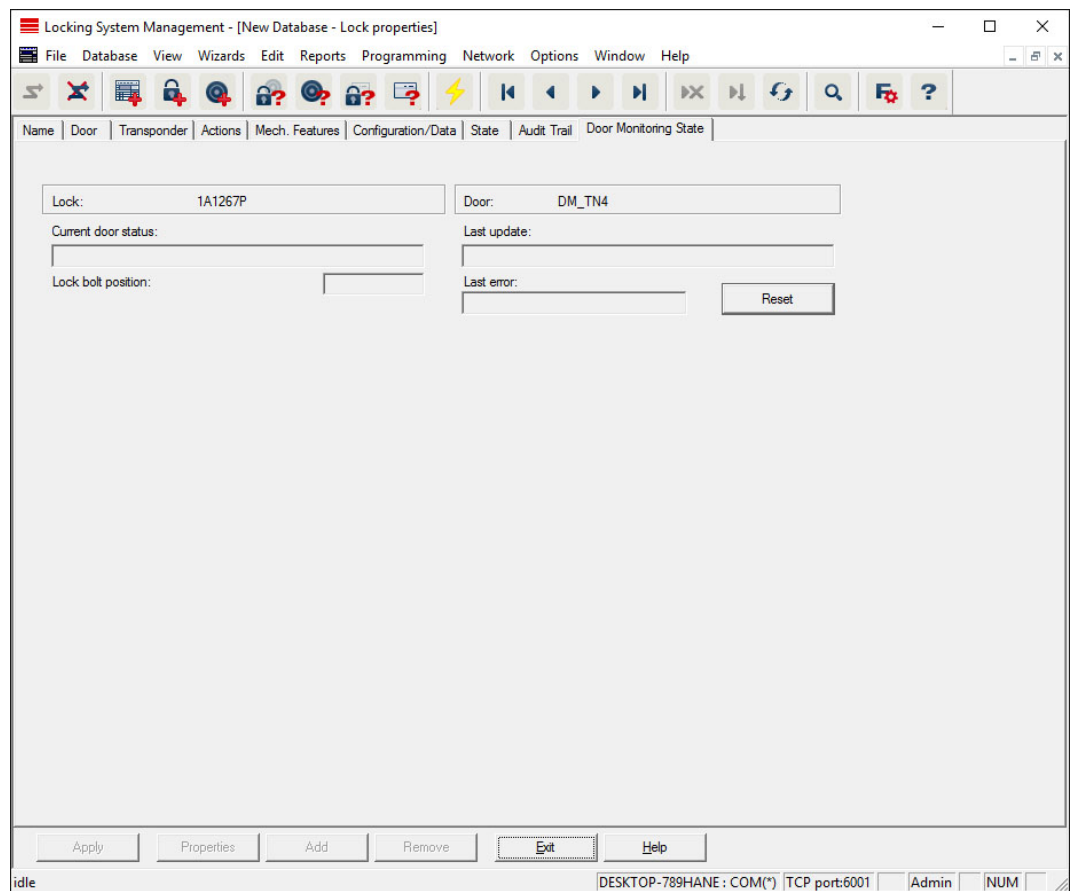
The screenshot shows a dialog box titled "Door Monitoring Configuration" with a close button (X) in the top right corner. The dialog is split into two main sections: "Target" on the left and "Actual" on the right. Each section contains a "Door open settings" area with three controls: a dropdown menu for "Sampling interval for DoorMonitoring sensors" (set to "off"), a dropdown menu for "'Door open too long' event after" (set to "off"), and a text input field for "Escape & Return" (set to "0"). Below these are three event categories: "Logging in the access list", "Transmission in the network", and "External sensors". Each category has a list of checkboxes for "Door open" events, "Lock bolt events", and "Door handle sensor events". The "External sensors" section has checkboxes for "Reverse 'Door open' inputs" and "Reverse dead bolt input". At the bottom of the dialog are "OK" and "Cancel" buttons.

Activate the required changes in the left hand "Target area".

10.16.2 Locking device properties: DoorMonitoring status

The current status of the locking device can be displayed in the "DoorMonitoring status" tab in real time. A configured WaveNet is required for this function.

This tab can only be selected if the locking device features the DM function and this was also directly added into the LSM software as "G2 cylinder DoorMonitoring locking device."



10.17 Escape&Return function

DoorMonitoring SmartHandles come with the Escape&Return function. This allows opening without the need to press an identification medium again, shortly after the door was closed.

A sensor in the SmartHandle detects that the inside handle has been operated. The SmartHandle then engages for an adjustable time and signals this visually and acoustically.

Disengagement takes place after the previously defined time. The user can also disengage the locking device manually (thus canceling the escape and return function) by holding his card two seconds in front of the lock's card reader.

The signalling of the Escape&Return function can be switched off.

Example:

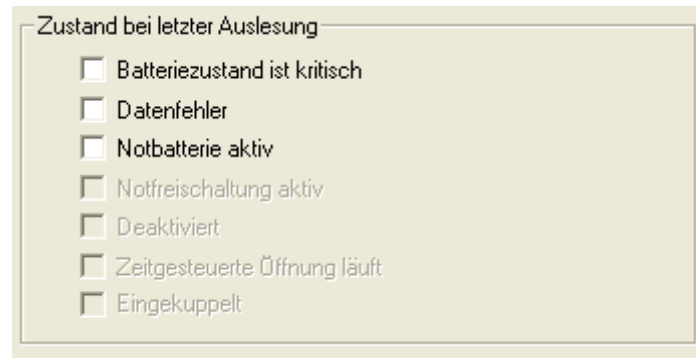
If a guest leaves their hotel room and smells smoke in the corridor, they can go back into their room immediately.

Example 2:

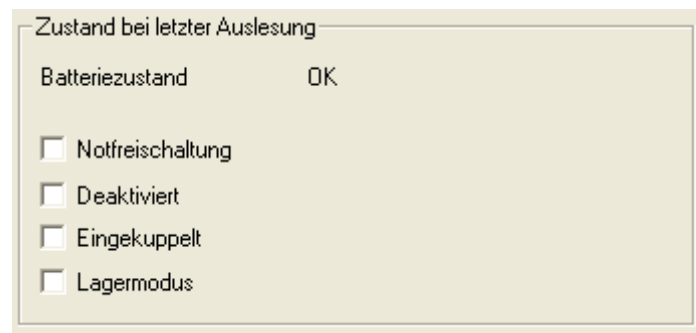
Student residence / retirement home: In many cases, the user notices that he forgot the card immediately after he or she closed the door. With Escape & Return the user can solve this problem himself.

11. Status messages

After SmartHandle is read (using the programming device or via the network), the following lock statuses are displayed:



G1 Version



G2 Version

11.1 Battery status

This box is automatically checked by the programming software when the battery capacity has decreased and Battery Warning Level 1 is activated. Please replace batteries immediately.

11.2 Emergency battery active

If the battery capacity continues to decrease and Battery Warning Level 1 has been ignored, SmartHandle automatically changes to Battery Warning Level 2. The programming software automatically checks this field in addition to the field in Section 4.1. You must replace the batteries immediately without fail. SmartHandle automatically switches to storage mode or freeze mode after a limited number of activations or after a limited time.

11.3 Deactivated

If SmartHandle is deactivated via a SimonsVoss Block Lock or the SV network, the programming software automatically checks this box.

11.4 Emergency release active

SmartHandles can be permanently engaged for use automatically using an automated command from the programming software if a SimonsVoss network (WaveNet) has been installed. As a general rule, this signal comes from a fire alarm system and can be interpreted by the LSM (if configured accordingly). This status can be deactivated again by making an emergency opening.

11.5 Time-limited opening active

This box is checked in the case of a programmed time switch-over if automatic time switch-over has engaged SmartHandle.

11.6 Engaged

This box is checked when SmartHandle is engaged for use if a time switch-over or flip-flop mode is programmed.

11.7 Possible DoorMonitoring states of SmartHandles

- Door open/closed
- Door open for too long
- Locked (only for self-locking mortise locks)
- Handle in use/not in use

12. Signalling

12.1 Active

- 2 short audible signals before engaging and a short signal after disengaging indicate a normal locking device activation.
- 1 short signal indicates that the transponder has been rejected.

12.2 MP

- 2 short audible signals + LED flashes blue twice briefly at the same time before engaging and a short audible signal after disengaging indicates a normal locking device activation.
- 1 short audible signal + LED flashes red once briefly at the same indicates that the transponder has been rejected.

12.3 Hybrid

- 2 short audible signals + LED flashes blue twice briefly at the same time before engaging and a short audible signal after disengaging indicates a normal locking device activation.
- 1 short audible signal + LED flashes red* once briefly at the same indicates that the transponder has been rejected.

**LED feedback signals vary for active transponder booking depending on the firmware version*

13. Battery warning

13.1 SmartHandle G1 battery warning (active)

- Warning level 1

Low batteries --> eight short audible signals before engaging. Batteries will soon be empty. Replace batteries in the SmartHandle.

- Warning level 2

Extremely low batteries --> eight short audible signals 30 seconds long with one second pause each time before engaging. Batteries are extremely low. Replace the batteries in the SmartHandle IMMEDIATELY.

- Once Warning Level 2 has been emitted for the first time, the door can be opened with a transponder a maximum of 50 times.

- After reaching this number of opening operations or after about 4 weeks, SmartHandle automatically switches to emergency battery storage mode. Once at this warning level, SmartHandle can now only be activated using a SimonsVoss programming device.

Eight short audible signals after disengaging: indicates that the transponder battery is empty. Transponder battery must be replaced.

13.2 Battery warning SmartHandle G2 (Active)

- Warning level 1

Low batteries --> eight short audible signals before engaging. Batteries will soon be empty. Replace batteries in the SmartHandle.

- Warning level 2

Extremely low batteries --> eight short audible signals 30 seconds long with one second pause each time before engaging. Batteries are extremely low. Replace the batteries in the SmartHandle IMMEDIATELY.

- Once Warning Level 2 has been emitted for the first time, the door can be opened with a transponder a maximum of 50 times.

- After reaching this number of opening operations or after about 4 weeks, SmartHandle automatically switches to freeze mode. Once at this warning level, SmartHandle can now only be activated using a SimonsVoss programming device or using a G2 battery replacement transponder.

13.3 Battery warning SmartHandle Hybrid

In the case of SmartHandle – SC, warnings differ depending on whether a transponder or a SmartCard is used.

- Warning Level 1: Transponder operation
Low batteries: Eight short audible signals before engaging. Batteries will soon be empty. Replace batteries in the SmartHandle.
- Warning Level 1: SmartCard booking
Low batteries: Eight short audible signals + LED flashes red briefly 8x before engaging. Batteries will soon be empty. Replace batteries in the SmartHandle.
- Warning Level 2: Transponder operation
Extremely low batteries: Eight short audible signals 30 seconds long with one second pause each time before engaging. Batteries are extremely low. Replace the batteries in the SmartHandle IMMEDIATELY.
- Warning Level 2: SmartCard booking
Extremely low batteries: Eight short audible signals 30 seconds long + LED flashes red twice briefly with one second pause between each one during 30 seconds
Emergency battery warning: Batteries are almost completely empty. Replace the batteries in the SmartHandle IMMEDIATELY.
- SmartHandle – SC: Once Warning Level 2 has been emitted for the first time, the door can still be opened a maximum of 200 times.
- After reaching this number of opening operations or after about 2 weeks, SmartHandle SC automatically switches to freeze mode. Once at this warning level, SmartHandle can now only be activated using a SimonsVoss programming device or using a G2 battery replacement transponder.

13.4 SmartHandle MP battery warning

- Warning Level 1:
Low batteries: 8 short audible signals + LED flashes red briefly 8 times before engaging. Batteries will soon be empty. Replace batteries in the SmartHandle.
- Warning Level 2:
Extremely low batteries: 8 short audible signals 30 seconds long + LED flashes red twice briefly with one second pause between each one during 30 seconds
Emergency battery warning: batteries are almost completely empty. Replace the batteries in SmartHandle immediately.
- Once Warning Level 2 has been emitted for the first time, the cylinder can be opened a maximum of 50 more times.

- After reaching this number of opening operations or after about 4 weeks, SmartHandle automatically switches to freeze mode. Once at this warning level, SmartHandle can now only be activated using a SimonsVoss programming device or using a G2 battery replacement card. The battery replacement card re-activates the SmartHandle for about 30 seconds. During this time the SmartHandle can be operated as usual with a suitable identification medium to open the door for a battery change.

13.5 Emergency battery storage mode (G1)

G1 SmartHandle automatically switches to emergency battery storage mode if Battery Warning Levels 1 and 2 have not been observed or the locking system administrator has not been informed of battery warning. User transponders can no longer activate a G1 SmartHandle to prevent the battery from being fully discharged in this status.



NOTE

This state should never occur because the batteries have to be changed at an early stage, i.e. in battery warning level 1!

The system administrator is required to open the door or to change the batteries (see *Battery replacement* [▶ 167]). If the door is locked, the administrator will need to carry out the following steps; if the door is open or the battery side is accessible, there is no need to complete these steps

- Re-programme SmartHandle (this deactivates storage mode)
- Use an authorised transponder to engage the locking cylinder and open the door (the lock will automatically switch to storage mode again)
- Replace the batteries
- Re-programme SmartHandle (to deactivate storage mode permanently)

After the door is opened, Battery Warning Level 2 is emitted one more time and then the lock is available again as normal.

13.6 Procedure for freeze mode (G1)

If battery warning levels 1 and 2 are not observed or the locking system administrator has not been informed, the SmartHandle 3062 automatically switches to freeze mode. User ID media can then no longer activate the SmartHandle 3062 to prevent the battery from being fully discharged in this status.

**NOTE**

This state should never occur because the batteries have to be changed at an early stage, i.e. in battery warning level 1!

The system administrator is required to open the door or replace batteries (see Battery Replacement section for further details). The administrator will need to carry out the following steps if the door is locked: *Disregard the first point if the door is open or if the battery side is accessible.*

- If the door is locked, the administrator will need to activate the door with a battery replacement ID medium, thus eliminating freeze mode.
- Activate SmartHandle with an authorised ID medium and open door. *The locking device will then switch back immediately to freeze mode*
- Replace the batteries
- Activate the door with the battery replacement ID medium again, thus eliminating freeze mode permanently after the batteries are checked.

**NOTE**

Now replace all used batteries with new ones immediately since the entire electronics module can fail otherwise!

13.7 Procedure for freeze mode (G2)

If battery warning levels 1 and 2 are not observed or the locking system administrator has not been informed, the SmartHandle 3062 automatically switches to freeze mode. In order to avoid complete discharge in this state, the SmartHandle 3062 can then no longer be addressed with user IDs.

**NOTE**

This state should never occur because the batteries have to be changed at an early stage, i.e. at battery warning level 1!

The system administrator is required to open the door or replace batteries (see Battery Replacement section for further details). The administrator will need to carry out the following steps if the door is locked: *If the door is open or when the battery side is accessible, the first point does not apply.*

- If the door is locked, the administrator will need to activate the door with a battery replacement ID medium, thus eliminating freeze mode.

- ❑ Address SmartHandle 3062 with an authorised identification medium and open the door.
- ❑ Replace the batteries.

IMPORTANT**Locking device failure due to misuse**

The battery change identification medium is intended exclusively for cancelling the freeze mode before a battery change. If it is misused, the batteries can be completely discharged. The result is a total failure of the locking device.

14. Battery replacement

14.1 General instructions

- Only trained specialists may carry out installation and programming or replace the batteries.
- Do not touch electronics/components; do not allow them to come into contact with oil, paint, moisture, alkali or acids.
- The electronics must not be subject to mechanical stress or damaged in any way.
- The batteries used may pose a fire or burn hazard if handled incorrectly. Do not recharge, open, heat or burn these batteries. Do not short-circuit!
- Only use batteries which have been approved by SimonsVoss.
- Do not touch the contacts on the new batteries with your hands when replacing the old ones. Use clean gloves free of fat or grease to handle the battery.
- Damage may be caused to SmartHandle 3062 if you reverse the battery polarity.
- Dispose of old and used batteries in the proper manner and store them out of children's reach.
- Always replace both batteries when changing batteries!
- All SmartHandle 3062 must be operated with two batteries in the inside fitting! Hybrid variants delivered up to January 2016 are operated with four batteries (two in the inside fitting, two in the outer fitting). Hybrid variants (black battery holder with cover) delivered after this are only operated with two batteries in the inside fitting. The battery is changed as with non-hybrid variants.

14.2 Procedure with SmartHandle WP-SC

The batteries are installed in the internal area in the case of SmartHandle active, SmartHandle WP or SmartHandle SC WP.

In January 2016, the battery holder was converted to a black plastic box with cover. The procedure is slightly different.

**NOTE****Shorter battery life due to poor contact**

Skin oil impairs contact between the battery and the battery holder.

1. Do not touch the contacts on new batteries with your hands when replacing old ones.
2. Use clean cotton gloves free of fat or grease.

Dispose of the batteries as per local and country-specific regulations.

Delivery up to January 2016

1. Carefully insert the installation tool from below into the inlay of the inner cover.
2. Slide the installation tool into the inlay to unlock the inlay.
3. Carefully slide the inlay in the direction of the handle.
4. Slide the inner cover in the direction of the handle.
5. Carefully unlock the electronics.
6. Fold the electronics horizontally to the side.
7. Remove all batteries from the holder.

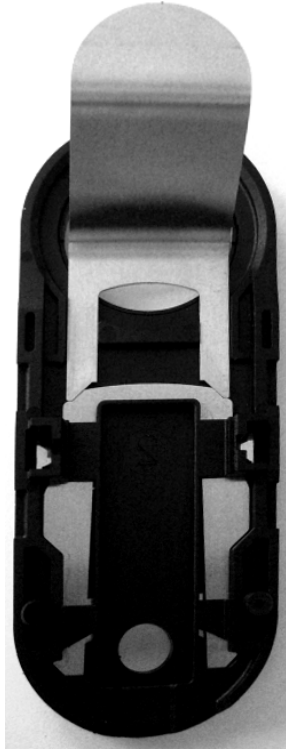
IMPORTANT**Mechanical damage due to battery replacement**

Pressure on the circuit board can damage the electronics.

- Under no circumstances should you exert pressure on the circuit board!

8. Push the new batteries with the positive poles next to each other quickly into the holder.
9. Fold in the electronics again.
10. Snap the electronics back into place.

11. Using the installation tool, push the slider on the inside of the inlay back to the home position.



NOTE

Installation difficulties due to sliders

If you do not fully slide the slider to the home position, you will not be able to lock the inner cover.

- Push the slider completely to the home position!

12. Reapply the inner cover until it is flush with the door.

13. Reapply the inlay.

- ↳ The inlay snaps back into place noticeably.
- ↳ The batteries have been replaced.

Delivery from January 2016

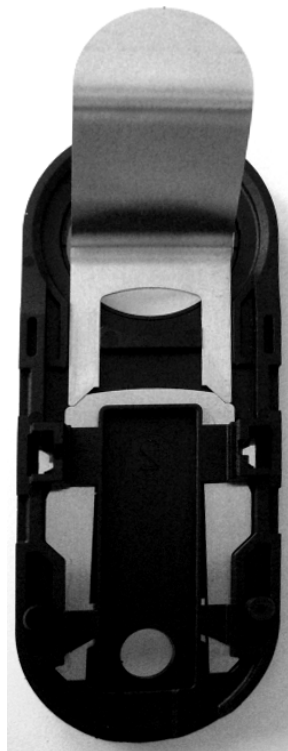
1. Carefully insert the installation tool from below into the inlay of the inner cover.
2. Slide the installation tool into the inlay to unlock the inlay.
3. Carefully slide the inlay in the direction of the handle.
4. Slide the inner cover in the direction of the handle.
5. Carefully push the latch of the battery holder cover outwards.
6. Open the cover of the battery holder.
7. Remove all batteries from the holder.

IMPORTANT**Mechanical damage due to battery replacement**

Pressure on the circuit board can damage the electronics.

- Under no circumstances should you exert pressure on the circuit board!

8. Quickly place the new batteries into the holder with the positive poles pointing upwards.
9. Close the cover of the battery holder again.
 - ↳ The latch snaps into place audibly.
10. Using the installation tool, push the slider on the inside of the inlay back to the home position.

**NOTE****Installation difficulties due to sliders**

If you do not fully slide the slider to the home position, you will not be able to lock the inner cover.

- Push the slider completely to the home position!

11. Reapply the inner cover until it is flush with the door.
12. Reapply the inlay.
 - ↳ The inlay snaps back into place noticeably.
 - ↳ The batteries have been replaced.

14.3 Procedure SmartHandle Hybrid

In January 2016, the battery holder for the hybrid versions was changed to a black plastic box with cover. Hybrid versions, which were delivered until January 2016, use two more batteries in the outer fitting in addition to the two batteries in the inside fitting. You must always replace all batteries at the same time.

Delivery up to January 2016

1. Carefully insert the installation tool from below into the inlay of the inner cover.
2. Slide the installation tool into the inlay to unlock the inlay.
3. Carefully slide the inlay in the direction of the handle.
4. Slide the inner cover in the direction of the handle.
5. Carefully unlock the electronics.
6. Fold the electronics horizontally to the side.
7. Remove all batteries from the holder.

IMPORTANT

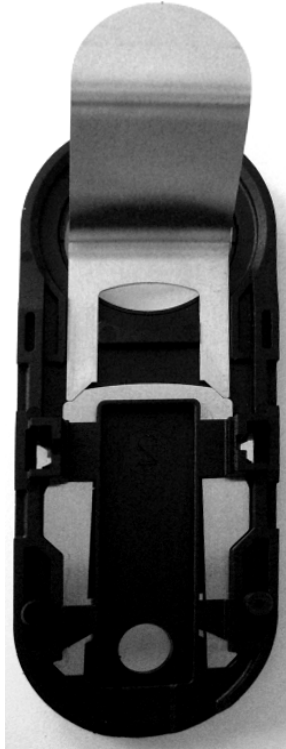
Mechanical damage due to battery replacement

Pressure on the circuit board can damage the electronics.

- Under no circumstances should you exert pressure on the circuit board!

-
8. Push the new batteries with the positive poles next to each other quickly into the holder.
 9. Fold in the electronics again.
 10. Snap the electronics back into place.

- Using the installation tool, push the slider on the inside of the inlay back to the home position.



- Reapply the inner cover until it is flush with the door.
- Reapply the inlay.
 - ↳ The inlay snaps back into place noticeably.
- Carefully insert the installation tool from below into the inlay of the outer cover.
- Slide the installation tool into the inlay to unlock the inlay.
- Carefully slide the inlay in the direction of the handle.
- Slide the outer cover in the direction of the handle.
- Carefully unlock the electronics.
- Fold the electronics horizontally to the side.
- Remove all batteries from the holder.

IMPORTANT

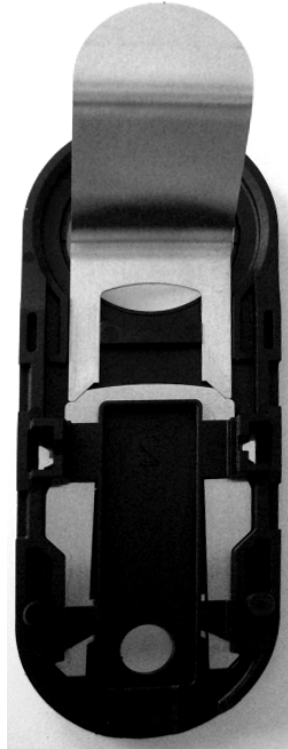
Mechanical damage due to battery replacement

Pressure on the circuit board can damage the electronics.

- ❑ Under no circumstances should you exert pressure on the circuit board!

-
- Push the new batteries with the positive poles next to each other quickly into the holder.
 - Fold in the electronics again.

23. Snap the electronics back into place.
24. Using the installation tool, push the slider on the inside of the inlay back to the home position.



25. Reapply the outer cover until it is flush with the door.
26. Reapply the inlay.
 - ↳ The inlay snaps back into place noticeably.
 - ↳ The batteries have been replaced.

Delivery from January 2016

1. Carefully insert the installation tool from below into the inlay of the inner cover.
2. Slide the installation tool into the inlay to unlock the inlay.
3. Carefully slide the inlay in the direction of the handle.
4. Slide the inner cover in the direction of the handle.
5. Carefully push the latch of the battery holder cover outwards.
6. Open the cover of the battery holder.
7. Remove all batteries from the holder.

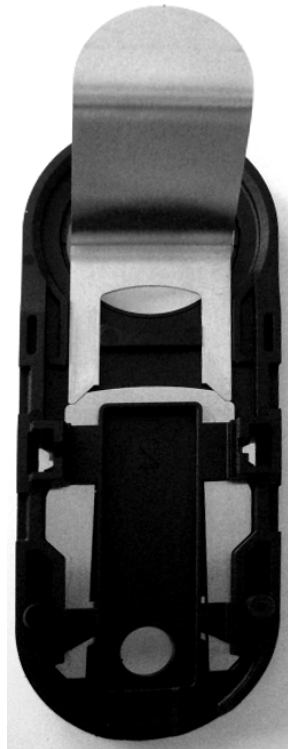
IMPORTANT

Mechanical damage due to battery replacement

Pressure on the circuit board can damage the electronics.

- Under no circumstances should you exert pressure on the circuit board!

8. Quickly place the new batteries into the holder with the positive poles pointing upwards.
9. Close the cover of the battery holder again.
 - ↳ The latch snaps into place audibly.
10. Using the installation tool, push the slider on the inside of the inlay back to the home position.



NOTE

Installation difficulties due to sliders

If you do not fully slide the slider to the home position, you will not be able to lock the inner cover.

- Push the slider completely to the home position!

11. Reapply the inner cover until it is flush with the door.
12. Reapply the inlay.
 - ↳ The inlay snaps back into place noticeably.
 - ↳ The batteries have been replaced.

14.4 G2 battery replacement ID medium

A G2 battery replacement ID medium (transponder or smart card) is needed to eliminate freeze mode in a G2 locking device. This mode should never occur due to the integrated battery warning system; batteries are supposed to be replaced in good time. A dedicated G2 ID medium is

required to produce the medium; you also require a programming device (e.g. SMARTCD.G2 for transponders) and LSM 3.0 or higher. You must be able to access the corresponding locking plan. Proceed as follows:

- Open LSM and enter the database
- Select locking system (if several are available)
- Go to 'Programming --> Special functions --> G2 battery replacement transponder', for example
- Select its locking system (if several are to be created)
- Click on 'OK'
- Programme ID medium using the programming device.

A separate ID medium which contains no other locking systems must be used as the G2 battery replacement ID medium. It is not used to open doors but to eliminate freeze mode in a G2 locking device only. If freeze mode is deactivated for a brief interval, the locking device can be temporarily opened as normal using an authorised ID medium. After using this ID medium, you must change the batteries in the SmartHandle; if you do not, the batteries may discharge completely.

15. Maintenance, cleaning and disinfection

- If necessary, clean the SmartHandle 3062 with a soft and, if necessary, damp cloth.
- When disinfecting the SmartHandle 3062, only use agents that are expressly intended for disinfecting sensitive metal or plastic surfaces.
- If necessary, change the battery.

16. Disassembly

16.1 Restore storage mode for Snap-in

1. Disconnect the 3-pole cable from the inside fitting to the 3-pole cable from the outer fitting. If necessary, also disconnect the LockNode cable from the inside fitting.
2. Undo mounting screw (9) in the inside fitting (8) about 1 cm.
3. Use a soft object to knock on the mounting screw (9) to release the tension in the snap-in mechanism (7).
4. Undo mounting screw (9) fully.
5. Hold the inside and outer fittings firmly while carefully pulling them away from one another horizontally.

Fitted to the door:



NOTE

General instructions: Depending on the handle model, it may not be possible to remove the inlay immediately. In such a case, push the inlay through the opening in the cover and remove the cover. The inlay remains on the handle and cannot be removed until the handle is dismantled.

Follow the same steps as for installation but in reverse order.

16.2 Restore storage mode for conventional fastening system

1. Disconnect the 3-pole cable from the inside fitting with the 3-pole cable from the outer fitting. If necessary, also disconnect the LockNode cable from the inside fitting.
2. Hold the inside and outer fittings firmly while pulling them away from one another horizontally.

Fitted to the door:



NOTE

General instructions: Depending on the handle model, it may not be possible to remove the inlay immediately. In such a case, push the inlay through the opening in the cover and remove the cover. The inlay remains on the handle and cannot be removed until the handle is dismantled.

Follow the same steps as for installation but in reverse order.

16.3 Restore storage mode for conventional fastening system MO

1. Disconnect the 3-pole cable from the inside fitting with the 3-pole cable from the outer fitting. If necessary, also disconnect the LockNode cable from the inside fitting.
2. Hold the inside and outer fittings firmly while pulling them away from one another horizontally.

Fitted to the door:



NOTE

General instructions: Depending on the handle model, it may not be possible to remove the inlay immediately. In such a case, push the inlay through the opening in the cover and remove the cover. The inlay remains on the handle and cannot be removed until the handle is dismantled.

Follow the same steps as for installation but in reverse order.

16.4 Restore storage mode for SwissRound MO

1. Disconnect the 3-pole cable from the inside fitting to the 3-pole cable from the outer fitting. If necessary also disconnect the cable of the LockNode from the inside fitting.
2. Hold the inside and outer fittings firmly while pulling them away from one another horizontally.
3. If necessary, loosen the hexagon screw in the inside door handle, but ensure that you only unscrew a little, so that the screw remains in the handle.
4. Remove the inside handle from the inside fitting.

Fitted to the door:



NOTE

General instructions: Depending on the handle model, it may not be possible to remove the inlay immediately. In such a case, push the inlay through the opening in the cover and remove the cover. The inlay remains on the handle and cannot be removed until the handle is dismantled.

Follow the same steps as for installation but in reverse order.

16.5 Restore storage mode for ScandinavianOval

1. Disconnect the 3-pole cable from the inside fitting to the 3-pole cable from the outer fitting. If necessary also disconnect the cable of the LockNode from the inside fitting.

2. Hold the inside and outer fittings firmly while pulling them away from one another horizontally.
3. If necessary, loosen the hexagon screw in the inside door handle, but ensure that you only unscrew a little, so that the screw remains in the handle.
4. Remove the inside handle from the inside fitting.

Fitted to the door:



NOTE

General instructions: Depending on the handle model, it may not be possible to remove the inlay immediately. In such a case, push the inlay through the opening in the cover and remove the cover. The inlay remains on the handle and cannot be removed until the handle is dismantled.

Follow the same steps as for installation but in reverse order.

16.6 Restore storage mode for ScandinavianOval DP

SmartHandles are partly assembled when supplied, so that they can be programmed while still in the packaging. To disassemble, carefully take hold of the cable at the plugs and pull the two fitting components (outside and inside fitting) apart.

16.7 Disassembling DoorMonitoring components

The SmartHandle must be fully detached first before the bolt sensor and fastening screw sensor can be dismantled.

Dismount bolt sensor

1. Disconnect all cables from one another.
2. Conventional fastening system: Carefully press the snap-in adapter together and pull out through the profile cylinder opening.
3. Rotate bolt sensor 90° to the left, so that the button faces downwards.
4. Pull the bolt sensor out from the profile cylinder in the mortise lock horizontally.

Dismount fastening screw sensor

1. Disconnect all cables from one another.
2. Grip the fastening screw head slit with a small screw driver.
3. Carefully prise out the fastening screw head.
4. Pull out the fastening screw head against the spring force.

16.8 Restore storage mode for RRMO

1. Disconnect the internal fitting 3-pole cable from the outer fitting 3-pole cable. If necessary, also disconnect the LockNode cable from the inner side fitting.
2. Hold the internal and outer fittings firmly while pulling them away from one another horizontally.

Fitted to the door:



NOTE

General instructions: Depending on the handle model, it may not be possible to remove the inlay immediately. In such a case, push the inlay through the opening in the cover and remove the cover. The inlay remains on the handle and cannot be removed until the handle is dismantled.

Follow the same steps as for installation but in reverse order.

16.9 Restore storage mode for RMO

1. Disconnect the internal fitting 3-pole cable from the outer fitting 3-pole cable. If necessary, also disconnect the LockNode cable from the inner side fitting.
2. Hold the internal and outer fittings firmly while pulling them away from one another horizontally.

Fitted to the door:



NOTE

General instructions: Depending on the handle model, it may not be possible to remove the inlay immediately. In such a case, push the inlay through the opening in the cover and remove the cover. The inlay remains on the handle and cannot be removed until the handle is dismantled.

Follow the same steps as for installation but in reverse order.

17. Accessories

17.1 Battery set

A set of batteries with replacement batteries is available for SmartHandle SO, which contains ten CR2450 batteries.

17.2 Sleeves

You can also use the SmartHandle 3062 for mortise locks with the square dimensions 8.5 mm or 10 mm. Adapter sleeves are available for this purpose:

Square dimension of the SmartHandle	Square dimension with mounted adapter sleeve	Order code
8 mm	8.5 mm	SH.SLEEVES.8.5
8 mm	10 mm	

Installation

- ▣ Slide the sleeves from the inside of the door into the mortise lock before installing the SmartHandle 3062.

7 mm to 8 mm

You can also use the 7mm version of the SmartHandle 3062 for mortise locks with 8mm square dimension:

Square dimension of the SmartHandle	Square dimension with mounted adapter sleeve	Order code
7 mm	8 mm	SH.SLEEVES.7.8

17.3 Handles

All handle variants (for inside and outside) are available separately as accessories (see *Handle variants* [▶ 35]).

17.4 Covers

All inlays (for inside and outside) are available separately as accessories (see *Backplate width/wide* [▶ 33]).

18. Technical specifications

For information on availability, see [Designs \[▶ 17\]](#) or the current price list.

Radio emissions

24.4 kHz - 25.38 kHz Only for item numbers: SH*2G2*2*, SH*2G2*3*, SH*2G2*4*, SH*2G2*, SH*1G2*	-19 dB μ A/m (10 m distance)
13.564 MHz - 13.568 MHz Only for item numbers: SH*2G2*2*, SH*2G2*3*, SH*2G2*4*, SH*2G2*, SH*3G2*, SH*3G2*2*, SH*3G2*3*, SH*3G2*4*	-19 dB μ A/m (10 m distance)
868.000 MHz - 868.600 MHz / 869.700 MHz - 870.000 MHz Only for item numbers: SH*2G2*2*, SH*2G2*3*, SH*2G2*4*, SH*3G2*2*, SH*3G2*3*, SH*3G2*4*	<25 mW ERP

18.1 SmartHandle G1

Dimensions, narrow (Wx-HxD)	41 x 224 x 14 mm
Dimensions, wide (Wx-HxD)	53 x 224 x 14 mm
Battery type	2 x CR2450 3V, lithium
WP battery type:	2 x CR2450 3V, lithium

Battery manufacturer	<ul style="list-style-type: none"> ■ Murata ■ Varta ■ Panasonic
Battery life:	Up to 150,000 lock operations or up to ten years on standby
Temperature range:	-20 °C to +50 °C
Access list:	Up to 3,000
Time zone groups:	5 + 1
Transponders:	Up to 8,000
Locking devices:	Up to 16,000
Instantly network-ready	Integrated LockNode (Network Module WN(M).LN.I.SH)

Designed with a handle lock for Euro Profile, Swiss Round or Scandinavian Oval.

18.2 SmartHandle G2

Handle locks that can be used	<ul style="list-style-type: none"> ■ Euro Profile (PC) ■ Swiss round (SR) ■ Scandinavian oval (SO)
Battery type (standard and WP)	2 x CR2450 3V lithium (exception: Hybrid until January 2016 with 4 x CR2450 3V lithium)
Battery manufacturer	<ul style="list-style-type: none"> ■ Murata ■ Varta ■ Panasonic
Battery life (exception: <i>DoorMonitoring</i> [▶ 184])	Active: Up to 150,000 lock operations or up to ten years on standby
	Passive: Up to 65,000 lock operations or up to six years on standby
	Hybrid: Up to 120,000 lock operations or up to ten years on stand-by (from January 2016)
Temperature range:	Operational: -20 °C to +50 °C
	In storage (short term): -40 °C to +70 °C
	In storage (long-term): 0 °C to +30 °C
Protection rating:	IP 40 (WP version: IP 45 for outside)
Access list	Up to 3,000
Time zone groups	100 + 1

Identification media	Up to 64,000 transponders / up to 32,000 SmartCards (depending on the selected configuration)
Locking devices per G2 locking system	Up to 64,000
Instantly network-ready	Integrable LockNode (network module WN(M).LN.I.SH)
Signalling	Acoustic: beeper
	Optical: LED Blue/red
Supported technologies for SmartCard	<ul style="list-style-type: none"> ■ MIFARE® Classic ■ MIFARE® PLUS ■ MIFARE® PLUS X ■ MIFARE® DESFire EV1 and EV2

Up to 304,000 lock operations can be managed per transponder.

18.2.1 SmartHandle Hybrid

Dimensions narrow	224 x 41 x 14 mm
Dimensions wide	224 x 53 x 14 mm

18.2.2 SmartHandle DoorMonitoring

Dimensions narrow	229 x 47 x 24 mm
Dimensions wide	229 x 59 x 24 mm
Battery life (active)	Up to 50,000 operations.
	Stand-by time depends on the fastening screw sampling rate: <ul style="list-style-type: none"> ■ 2 years standby with a sampling interval of 1 seconds ■ 4 years standby with a sampling interval of 2 seconds ■ 4.5 years standby with a sampling interval of 3 seconds
Battery life (passive)	Up to 25,000 operations.
	Stand-by time depends on the fastening screw sampling rate: <ul style="list-style-type: none"> ■ about 1 years on standby with a sampling interval of 1 seconds ■ about 1.5 years on standby with a sampling interval of 2 seconds ■ about 2 years on standby with a sampling interval of 3 seconds
Protection against tampering	as per SKG certification (SKG 2 star)
Fastening	on the door using adapter plates

Handle spindle	dual split handle spindle (tampering protection)
Logged statuses	<ul style="list-style-type: none"> ■ Change of door opening status (door open/closed) ■ Change of bolt position (locked/unlocked) ■ Break ■ Door open too long ■ Position of the inside door handle (pressed/not pressed)

18.2.3 SmartHandle ES1/SKG/PAS24

Dimensions narrow	229 x 47 x 24 mm
Dimensions wide	229 x 59 x 24 mm
Protection against tampering	as per SKG certification (SKG 2 star)
Fastening	on the door using adapter plates
Handle spindle	dual split handle spindle (tampering protection)
Inner side of door	Thumb-turn instead of handle (SKG)

18.2.4 SmartHandle for escutcheon mounting (RMO)

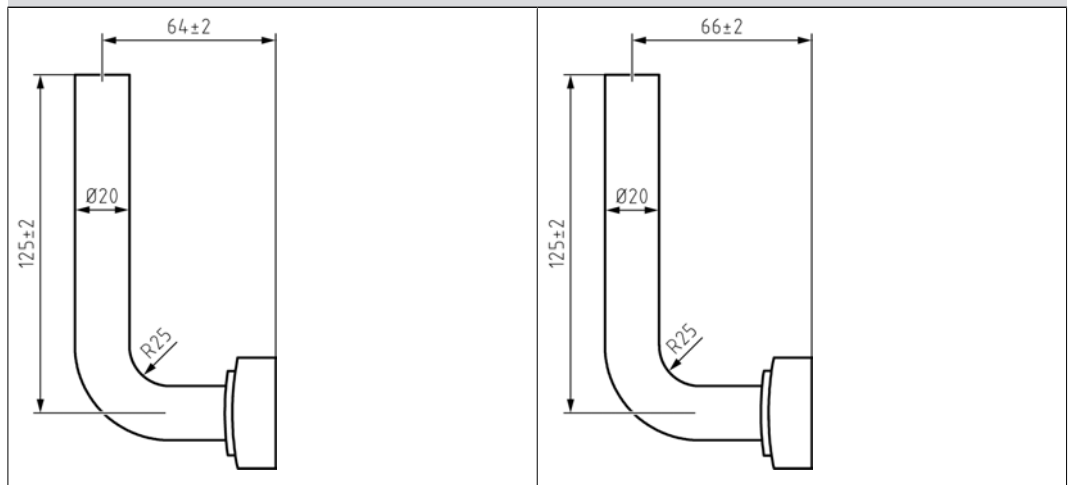
Dimensions	229.2 x 59 x 23 (electronics side) / 22 (non-electronics side) mm
Fastening	on the door using adapter plates
Handle spindle	dual split handle spindle (tampering protection)

18.2.5 SmartHandle for metal frame mounting (RRMO)

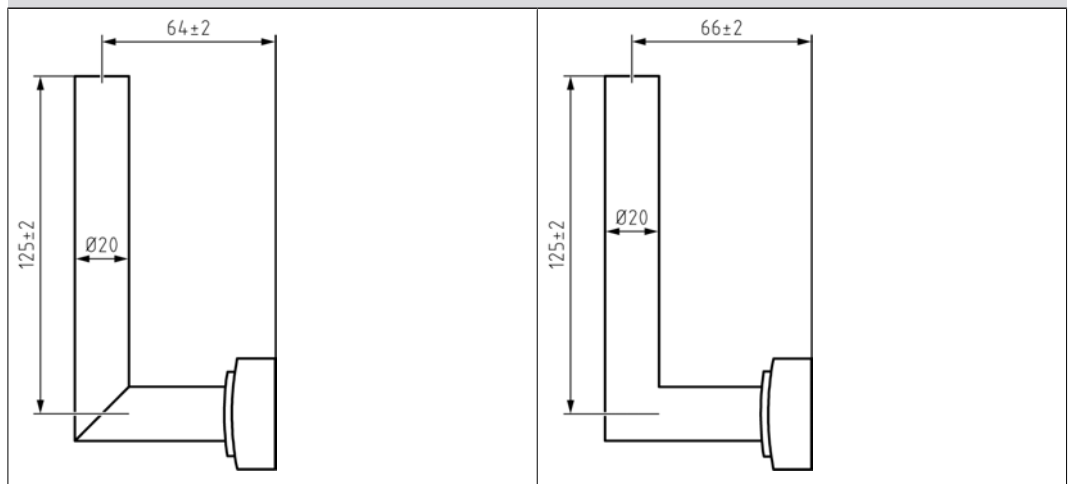
Dimensions	282 x 42 x 23 (electronics side) / 22 (non-electronics side) mm
Fastening	on the door using adapter plates
Handle spindle	dual split handle spindle (tampering protection)

18.3 Dimensional drawings handles

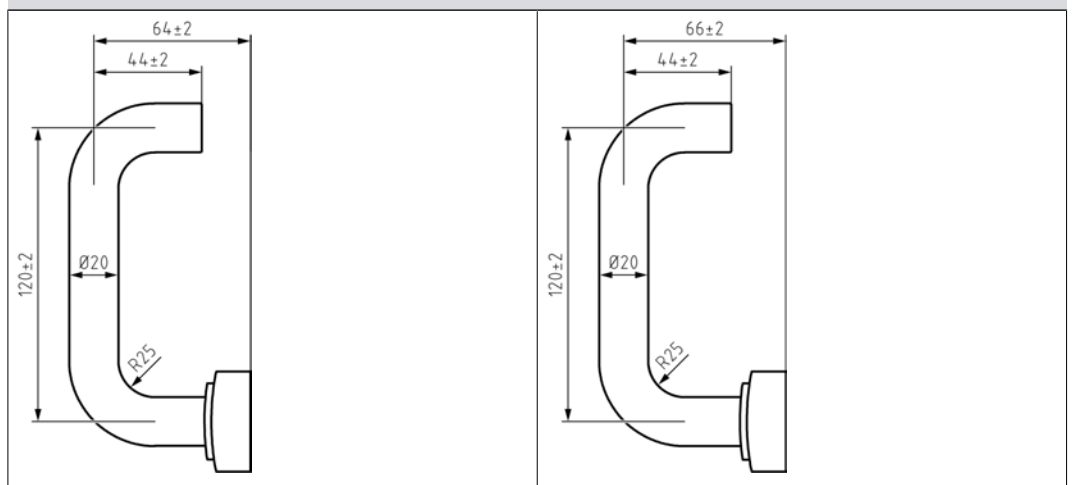
Shape A (Outside/Inside)



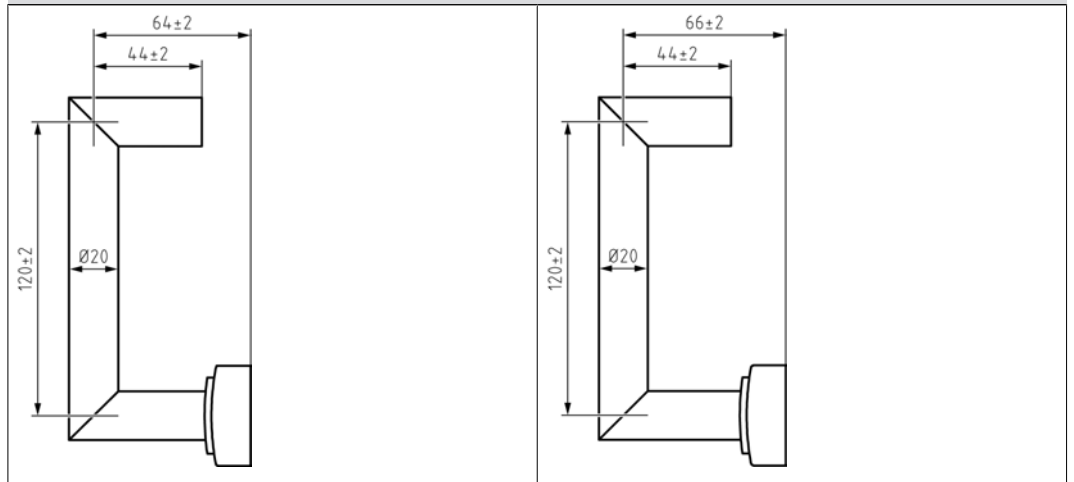
Shape B (Outside/Inside)



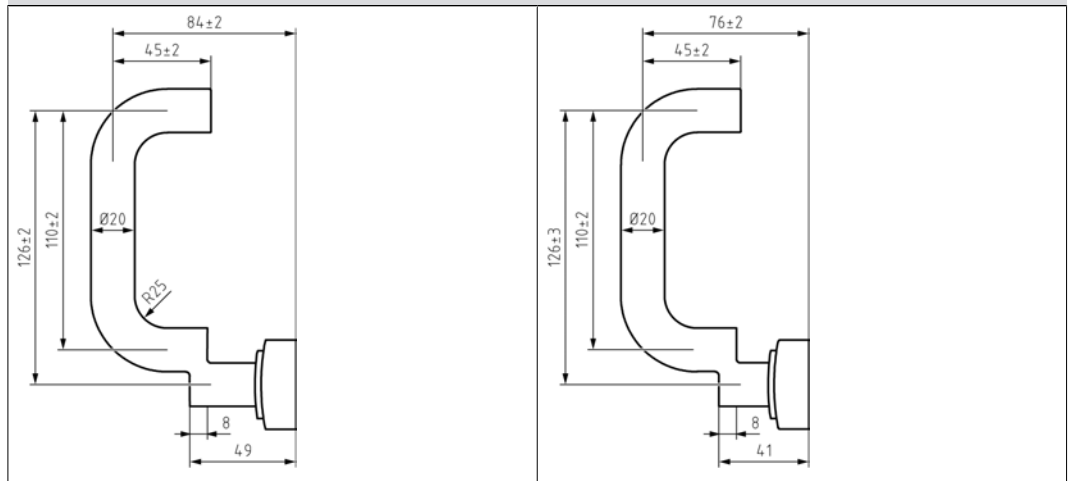
Shape C (Outside/Inside)



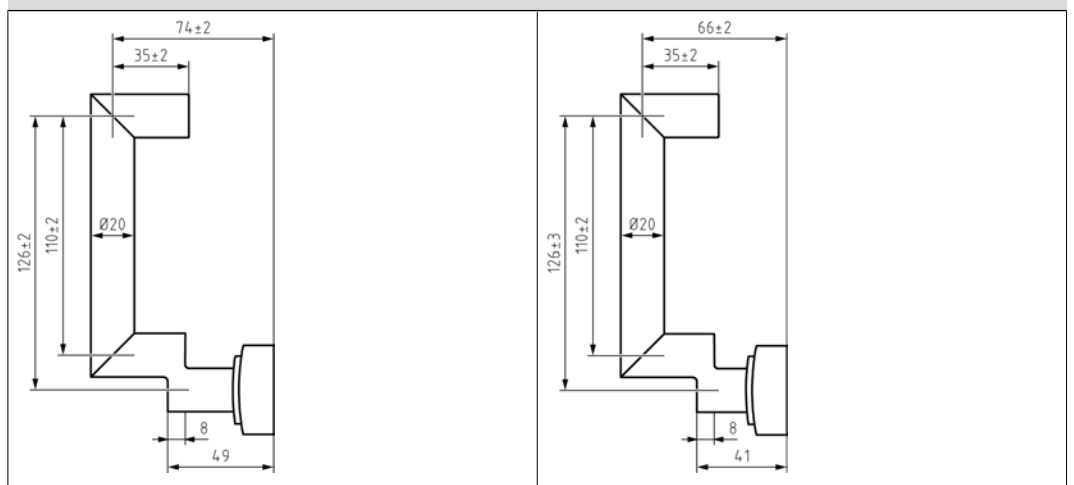
Shape D (Outside/Inside)



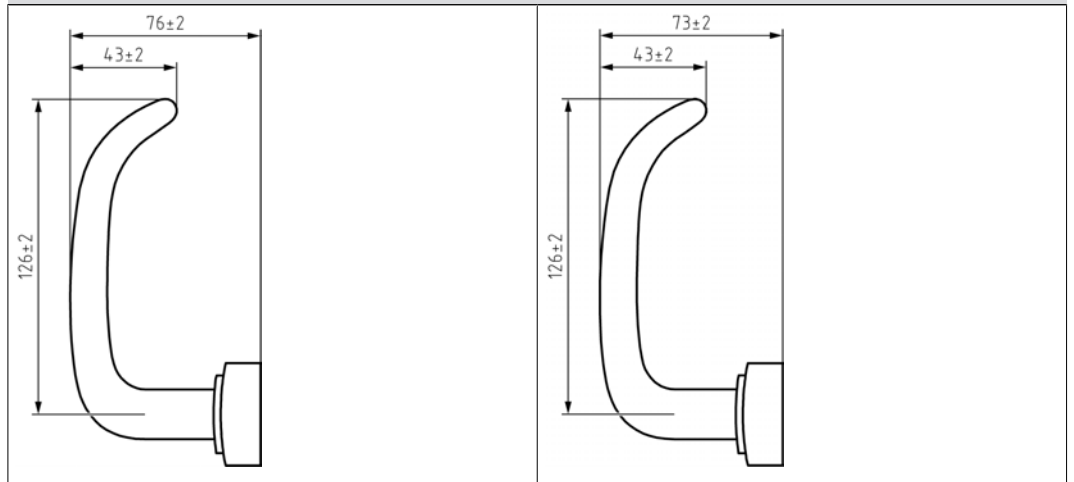
Shape E (Outside/Inside)



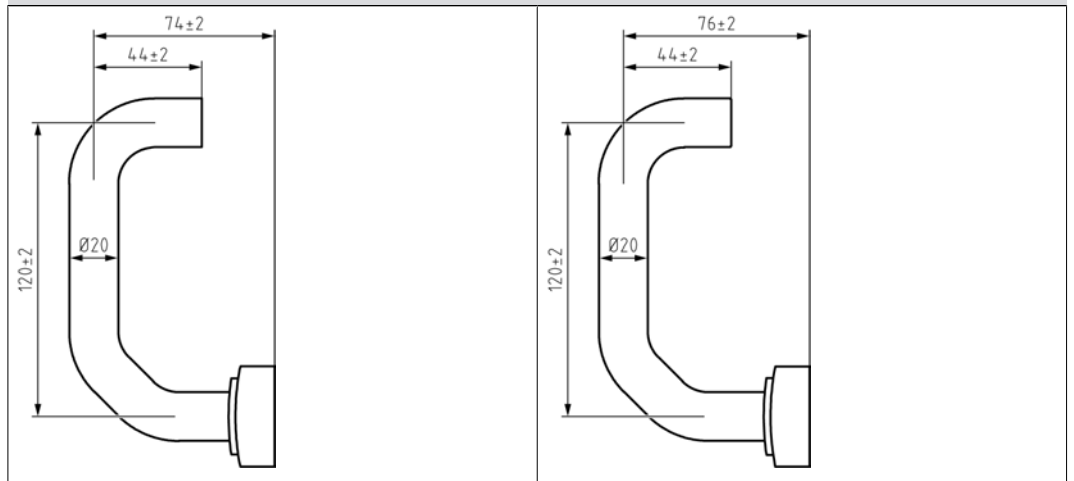
Shape F (Outside/Inside)



Shape G (Outside/Inside)



Shape H (Outside/Inside)



19. Declaration of conformity

The company SimonsVoss Technologies GmbH hereby declares that the articles (SH*2G2*2*, SH*2G2*3*, SH*2G2*4*, SH*2G2*, SH*1G2*, SH*3G2*, SH*3G2*2*, SH*3G2*3*, SH*3G2*4*) comply with the following guidelines:

- 2014/53/EU -RED-
or for the UK: UK statutory 2017 No. 1206 -Radio equipment-
- 2011/65/EU -RoHS-
or for the UK: UK statutory 2012 No. 3032 -RoHS-



The full text of the EU Declaration of conformity is available at the following internet address: www.simons-voss.com/en/certificates.html.

The full text of the UK Declaration of conformity is available at the following internet address: www.simons-voss.com/en/certificates.html.

20. Help and other information

Information material/documents

You will find detailed information on operation and configuration and other documents on the website:

<https://www.simons-voss.com/en/documents.html>

Declarations of conformity

You will find declarations of conformity and other certificates on the website:

<https://www.simons-voss.com/en/certificates.html>

Information on disposal

- Do not dispose the device (SH*2G2*2*, SH*2G2*3*, SH*2G2*4*, SH*2G2*, SH*1G2*, SH*3G2*, SH*3G2*2*, SH*3G2*3*, SH*3G2*4*) in the household waste. Dispose of it at a collection point for electronic waste as per European Directive 2012/19/EU.
- Recycle defective or used batteries in line with European Directive 2006/66/EC.
- Observe local regulations on separate disposal of batteries.
- Take the packaging to an environmentally responsible recycling point.



Technical support

Our technical support will be happy to help you (landline, costs depend on provider):

+49 (0) 89 / 99 228 333

Email

You may prefer to send us an email.

support-simonsvoss@allegion.com

FAQs

You will find information and help in the FAQ section:

<https://faq.simons-voss.com/otrs/public.pl>

Address

SimonsVoss Technologies GmbH
Feringastr. 4
D-85774 Unterfoehring
Germany



This is SimonsVoss

SimonsVoss, the pioneer in remote-controlled, cable-free locking technology provides system solutions with a wide range of products for SOHOs, SMEs, major companies and public institutions. SimonsVoss locking systems combine intelligent functionality, high quality and award-winning design Made in Germany.

As an innovative system provider, SimonsVoss focuses on scalable systems, high security, reliable components, powerful software and simple operation. As such, SimonsVoss is regarded as a technology leader in digital locking systems.

Our commercial success lies in the courage to innovate, sustainable thinking and action, and heartfelt appreciation of employees and partners.

SimonsVoss is a company in the ALLEGION Group, a globally active network in the security sector. Allegion is represented in around 130 countries worldwide (www.allegion.com).

Made in Germany

SimonsVoss is truly committed to Germany as a manufacturing location: all products are developed and produced exclusively in Germany.

© 2024, SimonsVoss Technologies GmbH, Unterföhring

All rights are reserved. Text, images and diagrams are protected under copyright law.

The content of this document must not be copied, distributed or modified. More information about this product can be found on the SimonsVoss website. Subject to technical changes.

SimonsVoss and MobileKey are registered brands belonging to SimonsVoss Technologies GmbH.

SimonsVoss
technologies

Made in Germany

A BRAND OF


ALLEGION